



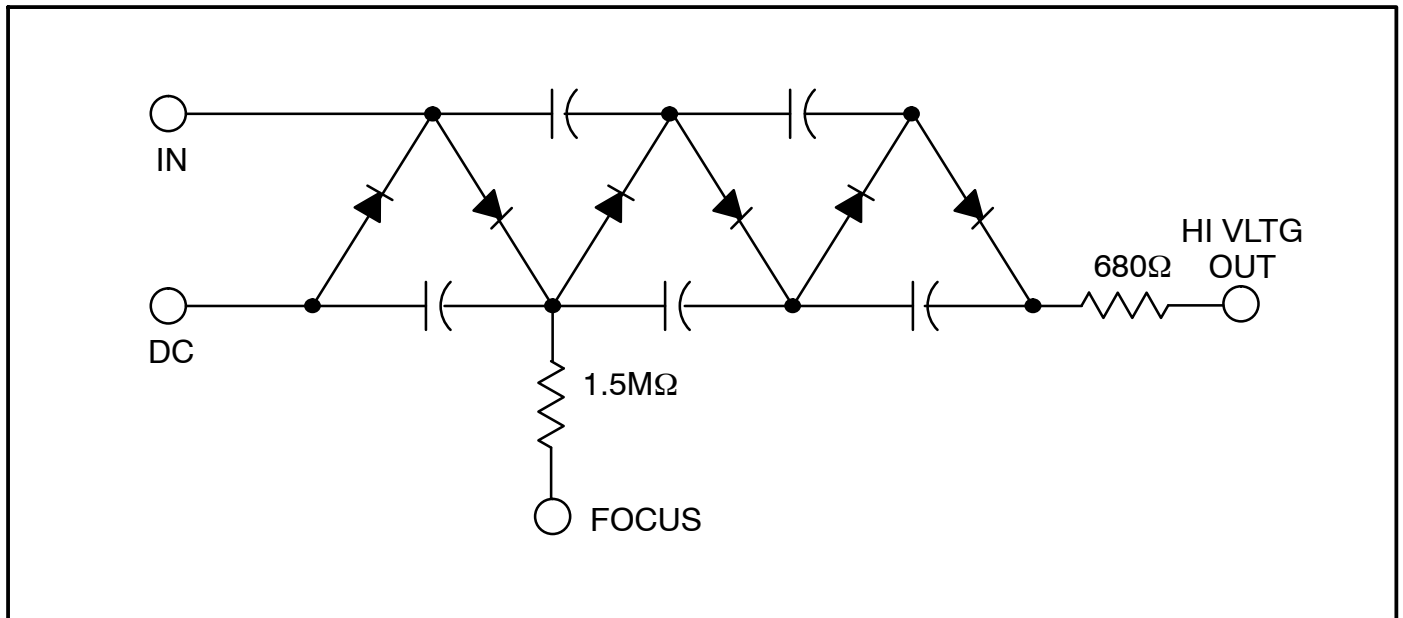
ELECTRONICS, INC.  
44 FARRAND STREET  
BLOOMFIELD, NJ 07003  
(973) 748-5089  
<http://www.nteinc.com>

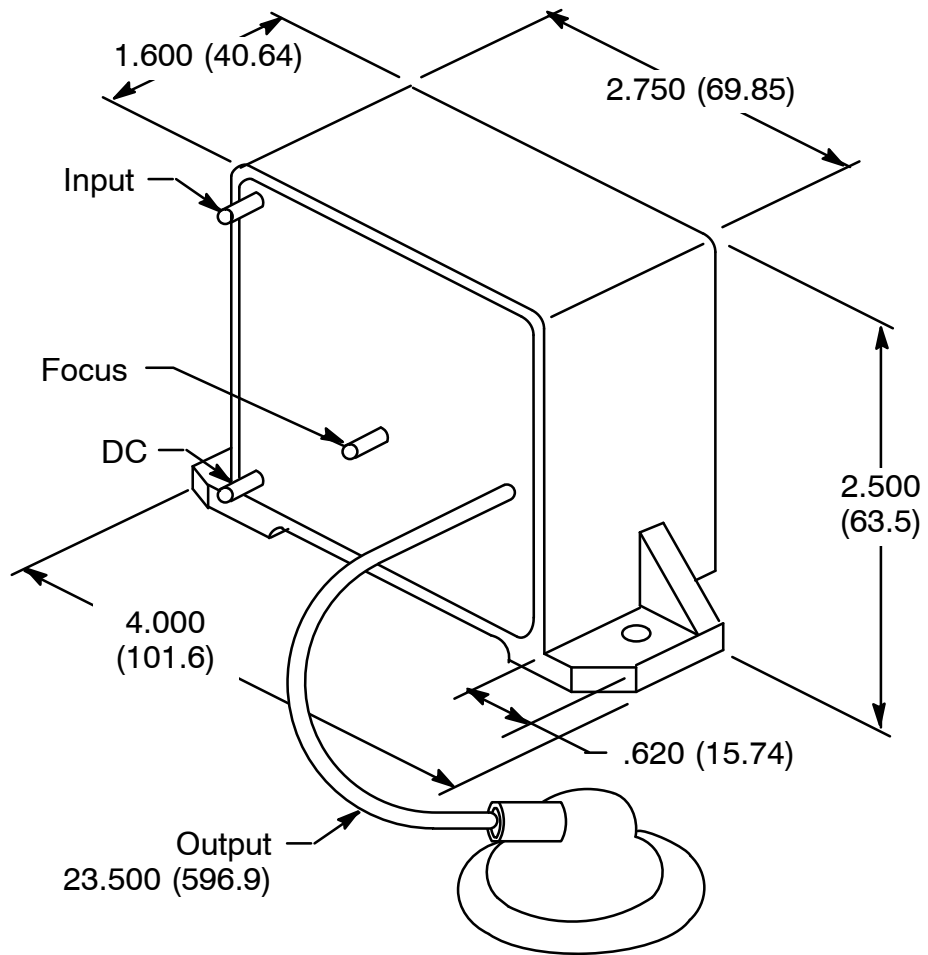
## NTE533 High Voltage Multiplier 5-Step Silicon Tripler <sup>w</sup>/Damper Diode and Resistor to Focus Tap

**Electrical Characteristics:**

Input, Peak-to-Peak (No Load) .....	12kV
Maximum Continuous Output (at 2mA, No Load) .....	30kV
Output Lead Length .....	25 inches

**Schematic:**





Mounting Holes  
 .190 (4.82) Dia  
 .190 (4.82) x .406 (10.31) Slots  
 3.380 (85.85)  $C_L$  to  $C_L$