

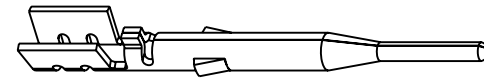
NOTES:

1. MATERIALS & FINISHES:
PHOSPHOR BRONZE, PER ASTM-B103, UNS C51900
GOLD PLATING (.000030" MIN.)
2. CONTACTS TO BE SUPPLIED
ON REELS (5,000 PCS./ REEL)
3. CONTACTS TO WOUND ON REEL IN DIRECTION AND POSITION SHOWN.

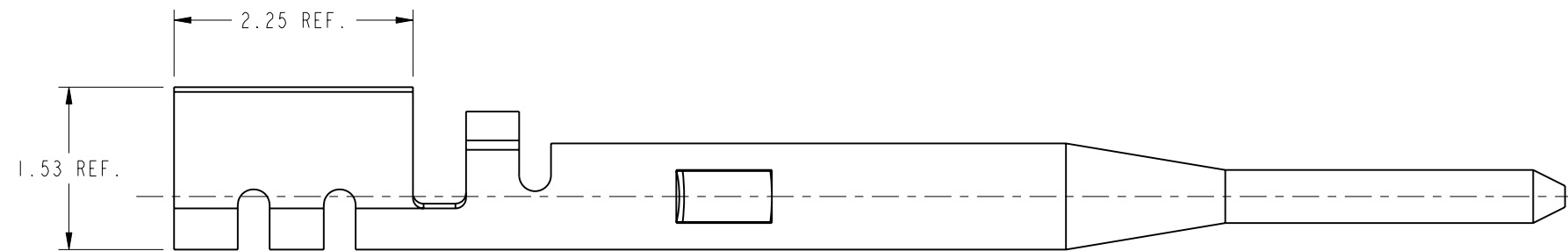
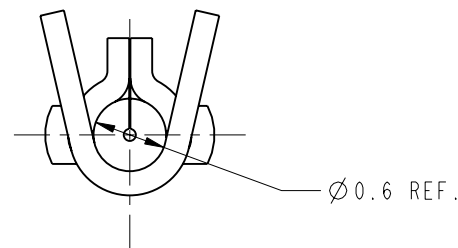
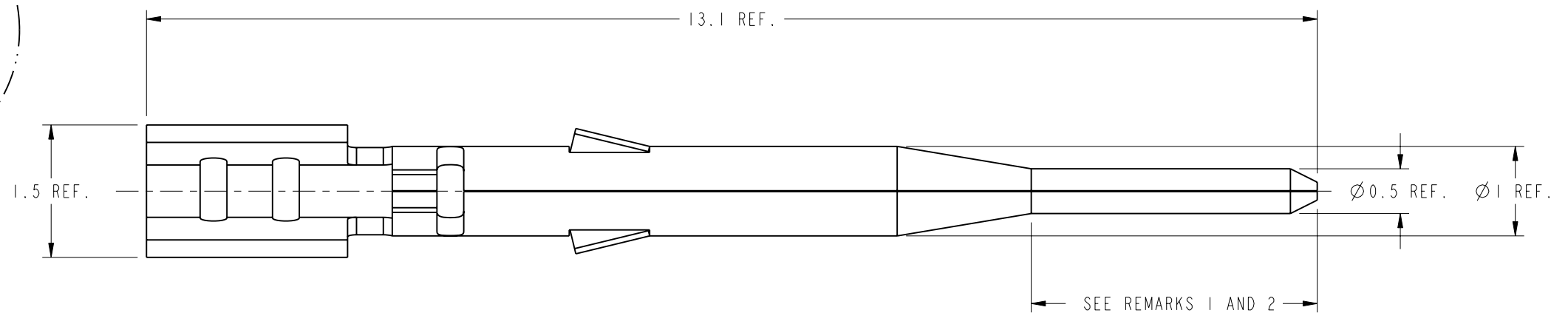
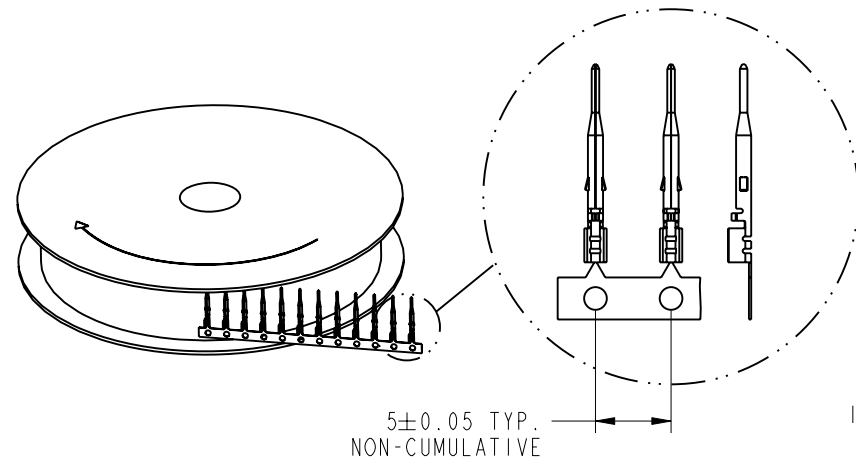
REMARKS:

1. GOLD PLATE 30 MIN. THICK OVER NICKEL PL. 100 MIN THICK OVER COPPER STRIKE
2. SELECTIVE GOLD PLATE TO COVER 3mm MIN. AS SHOWN

FKCP03401A		REVISIONS			
DRAWING NO.	REV	DESCRIPTION	DATE	ECO	APPR
THIRD ANGLE PROJ.	A	RELEASE TO MFG.	14-Apr-06	----	JERRY
	B	ADD REEL INFORMATION AND REMARKS	22-Sep-08	47295	SB



SCALE 5.000



CONFIGURATION CONTROL:
NO CHANGES PERMITTED TO DRAWING WITHOUT
PPAP QUALIFIED CUSTOMER APPROVAL

CUSTOMER OUTLINE DRAWING
ALL OTHER SHEETS ARE FOR INTERNAL USE ONLY

UNLESS OTHERWISE SPECIFIED, DIMENSIONS ARE IN MM (INCHES) AND TOLERANCES ARE: 0.5 - 6mm ±0.2mm 6 - 30mm ±0.4mm 30 - 120mm ±0.6mm	MATERIAL PHOSPHOR BRONZE PER ASTM-B103 UNS C51900 0.2MM THICK	DRAWN EMILY	DATE 24-Jan-07	TITLE STAMPED AND FORMED FAKRA CONTACT (MALE)		Amphenol Amphenol Corporation Communication and Network Products Division Danbury, CT U.S.A. 06810	
	REFERENCE EAR# 3140	ENGINEER J. YANG	DATE 24-Jan-07	ITEM NO. FKCP03401A			SCALE: 16.0:1 SHEET 3 OF 3
NOTICE - These drawings, specifications, or other data (1) are, and remain the property of Amphenol Corp. (2) must be returned upon request; and (3) are confidential and not to be disclosed to any person other than those to whom they are given by Amphenol Corp. The furnishing of these drawings, specifications, or other data by Amphenol Corp., or to any other person to anyone for any purpose is not to be regarded by implication or otherwise in any manner licensing, granting rights or permitting such holder or any other person to manufacture, use or sell any product, process or design, patented or otherwise, that may in any way be related to or disclosed by said drawings, specifications, or other data.	FINISH	APPROVED SCOTT	DATE 24-Jan-07	CODE ID 74868	DWG SIZE B	DRAWING NO. FKCP03401A	REV B
	PART NO. FKCP03401A	CAD FILE I:\FAKRA\ FKCP03401A					