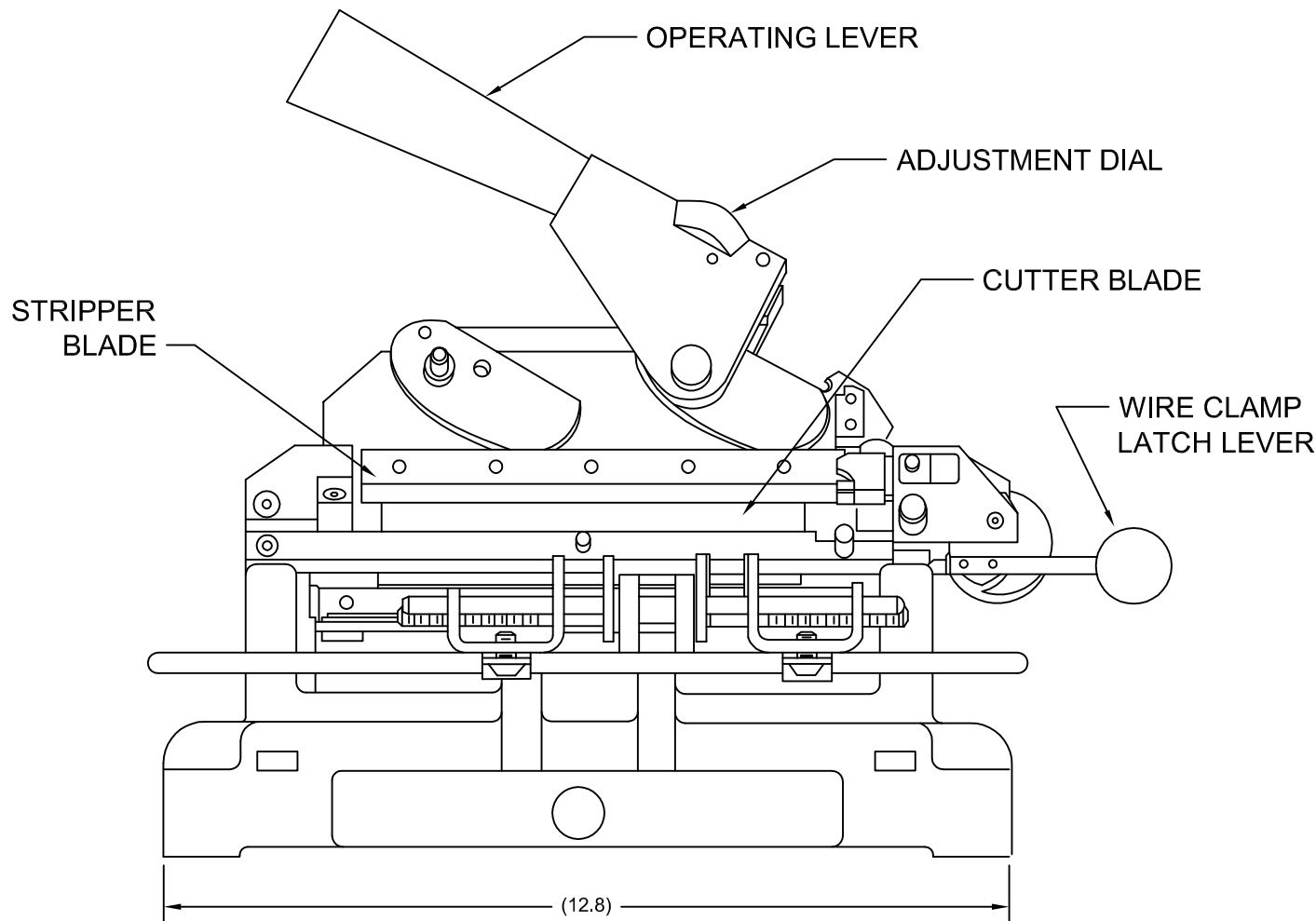


REVISIONS			
LTR	DESCRIPTION	DATE	APPROVED
A	INITIAL RELEASE PER DCR #R090316	05/15/09	A. BUI




NOTES:

1. ORGANIZES ONE ROW OF WIRES; THEN CUTS AND STRIPS THE ENTIRE ROW AT ONCE.
2. BASE DIMENSION: 12.8 X 7.5 INCHES.
3. REFER TO H50089 FOR TERMINATION PROCEDURE AND OPERATING INSTRUCTIONS.

If this document is printed it becomes uncontrolled. Check for the latest revision

© 2009 Tyco Electronics Corporation. All rights reserved.

CUSTOMER DRAWING

		Tyco Electronics 305 Constitution Dr Menlo Park, CA 94025, USA		Raychem App Equipment		TITLE: MULTIPLE WIRE STRIPPER AND CUTTER STRETCH ASSEMBLY	
Tyco Electronics reserves the right to amend this drawing at any time. Users should evaluate the suitability of the product for their application.			Unless otherwise specified, dimensions are in inches.			DOCUMENT NUMBER: AD-4030-1	
CAD NAME: AD-4030-1		WEIGHT:	TOLERANCES: 0.00 N/A 0.0 N/A 0 N/A	ANGLES: N/A ROUGHNESS IN MICRON	REV: A	DATE: 18MAY09	
DRAWN: A. BUI	CHECKED:	APPROVED: I. MYONG	DCR NUMBER: R090316	CAGE CODE: 06090	SCALE: N/A	SIZE: A	SHEET: 1 OF 1