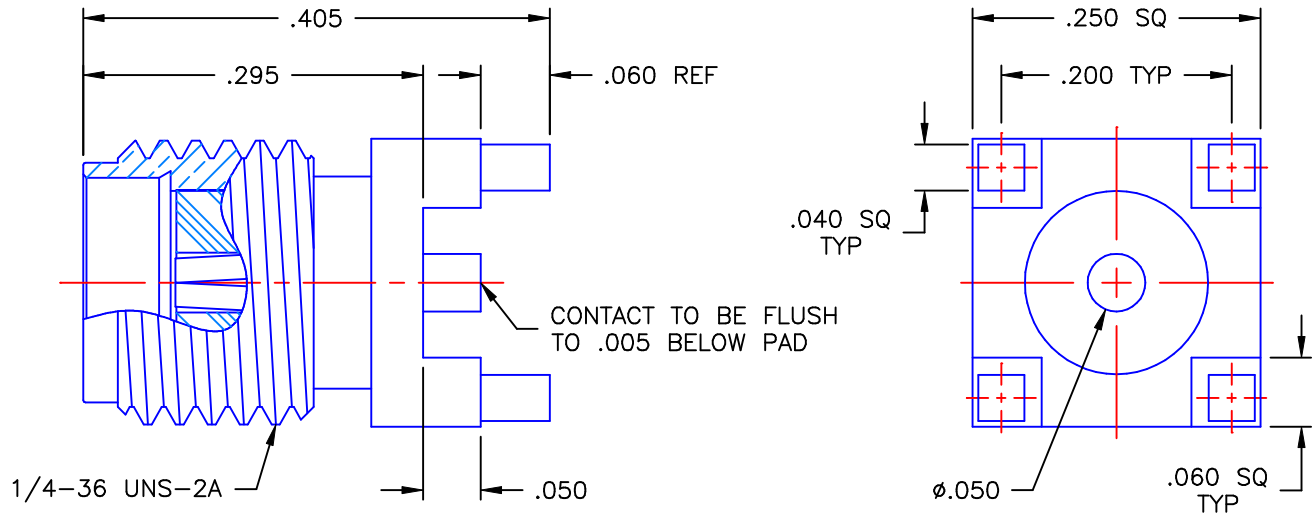


REVISIONS			
REV	DESCRIPTION	DATE	APPROVED
-	INITIAL RELEASE	12/29/05	A.D.M.

PROPRIETARY INFORMATION
 NOT TO BE RELEASED
 WITHOUT WRITTEN PERMISSION
 FROM AN AUTHORIZED
 REPRESENTATIVE OF
 APPLIED ENGINEERING PRODUCTS




NOTES:

MATERIALS:

1. BODY = BRASS PER ASTM B16, ALLOY C36000, TEMPER H02.
2. INSULATOR = VIRGIN WHITE TEFLON PER ASTM D1710, GRADE 1, TYPE I, CLASS "B".
3. CONTACT = BERYLLIUM COPPER PER ASTM B196, ALLOY C17300, TEMPER TD04.

FINISHES:

1. BODY = GOLD PLATE PER MIL-G-45204, TYPE II, GRADE C, .00001 MIN. OVER STRESS FREE NICKEL PLATE PER QQ-N-290, .00002 TO .00004 THICK OVER A MIN. COPPER STRIKE PER MIL-C-14550.
2. CONTACT = GOLD PLATE PER MIL-G-45204, TYPE II, CLASS 0, GRADE C, OVER .00010 TO .00020 SULFAMATE NICKEL PER QQ-N-290.

UNLESS OTHERWISE SPECIFIED DIMENSIONS ARE IN INCHES TOLERANCES ON		DWN: A.D.M.	DATE: 12/29/05	 APPLIED ENGINEERING PRODUCTS 104 John W. Murphy Dr. New Haven, CT 06513
		CHKD: D.N.	DATE: 12/29/05	
DECIMAL	ANGLE	APVD: D.J.C.	DATE: 12/29/05	
		MATERIALS & FINISHES: SEE NOTES		
REFERENCE: ORIGINATOR: A.D.M. DATE: 12/29/05		SIZE: A	FSCM NO.: 19505	DWG. NO.: 9650-1111-059
		SCALE: 6:1	THIRD ANGLE PROJECTION	REV: -
				SHEET 1 OF 1

9650-1111-059