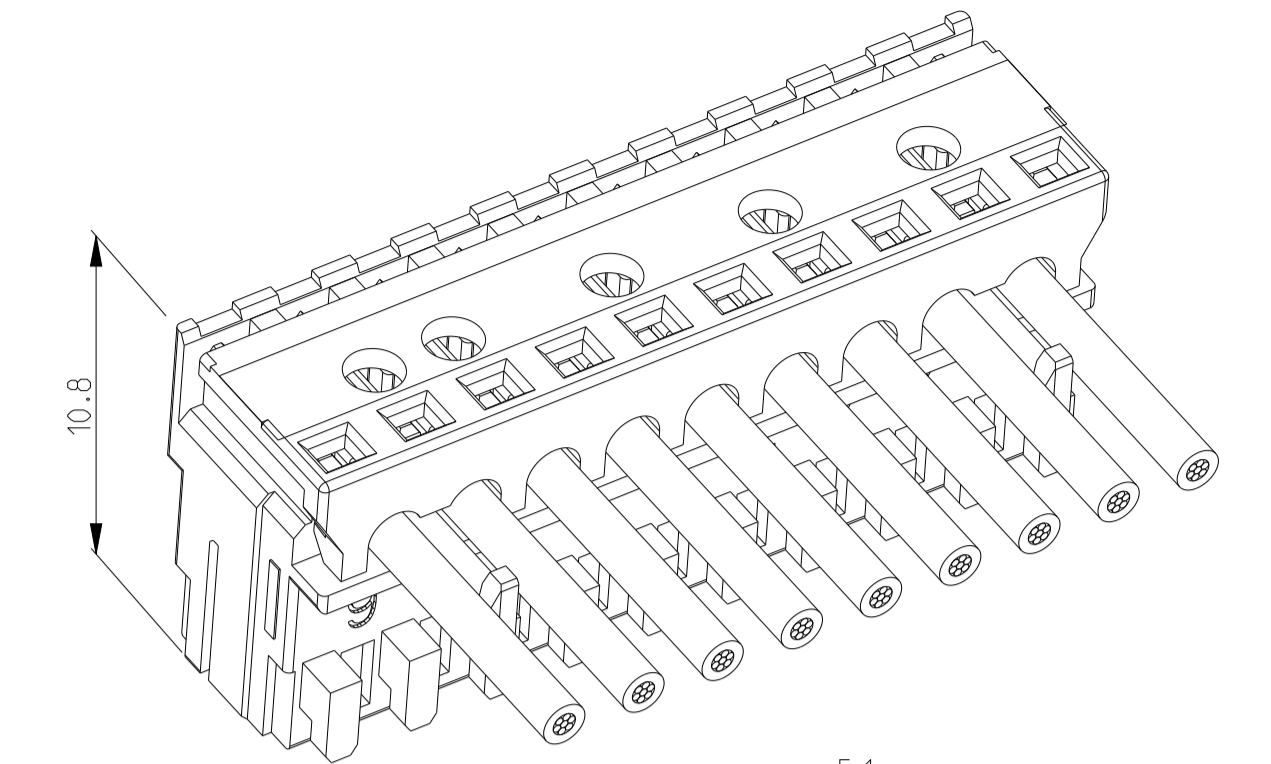
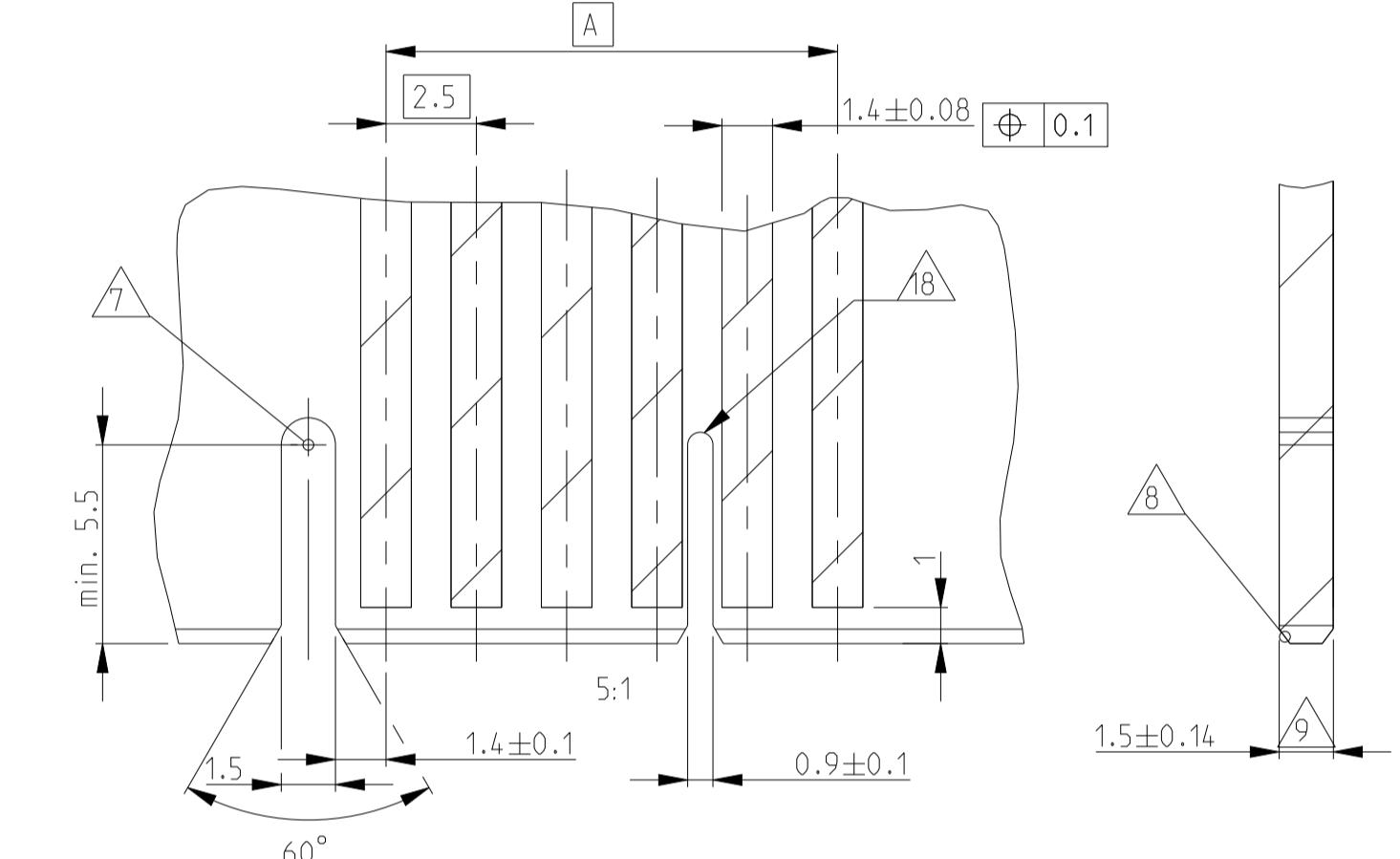


- △29 CAVITY ID STARTS WITH LETTER FOR PARTS PRODUCTION IN QINGDAO PLANT, SUCH AS "A1."
- △28 STRIPE IN YELLOW COLOR WHERE SHOWN PRESENT ON THE PARTS PRODUCED IN TE COLLEGO ONLY
- △27 DIMENSION AVAILABE FOR PART X-2304525-X, X-2304526-X.
- △26 WITH SPECIAL CHAIN FEATURE
- △25 SIDE KEYING ON LAST CAVITY THICKNESS=1.5mm
- △24 SIDE KEYING ON CAVITY 1 THICKNESS=1.5mm
- △19 COLOR STRIP ON COVER OF HOUSING. NOT THE COLOR OF HOUSING.
- △18 SLOT. THICK. BETWEEN CAVITIES
- △17 KEYING. THICK. BETWEEN POSITION
- △16 SLOT. SLIM. FOR SIDE KEYING. LAST CAVITY
- △15 SLOT. SLIM. FOR SIDE KEYING. SIDE CAVITY 1
- △14 SIDE KEYING. SLIM. ON LAST CAVITY
- △13 SIDE KEYING. SLIM. ON CAVITY 1
- △12 KEYING SLIM BETWEEN POSITIONS
- △11 PRELIMINARY PART NOT RELEASED FOR PRODUCTION
- △10 TE LOGO
- △9 INCLUSIVE COPPER LOADING
- △8 PCB PREFERABLY CHAMFERED
- △7 SLOT. THICK. FOR SIDE KEYING
- △6 SIDE KEYING. THICK. ON LAST CAVITY
- 5 WIRE RANG: 0.22-0.35mm² SEE APPLICATION SPEC. 114-18467
- △4 IEC60695-2-11 / IEC60335-1 GLOW WIRE TEST 750 °C W WITHOUT FLAME
- △3 X..CAVITY LOADED WITH CONTACT
O..CAVITY WITHOUT CONTACT
- 2 MATING PART: PCB (WITH FRAMES ACC. RAST 2.5 E.G. PN 964 575/576 TAB HEADER (FOR EXAMPLE: X-1971921/922-Y)
- △1 KEYING RIBS: CUTTING WITH TERMINATION MACHINE POSSIBLE

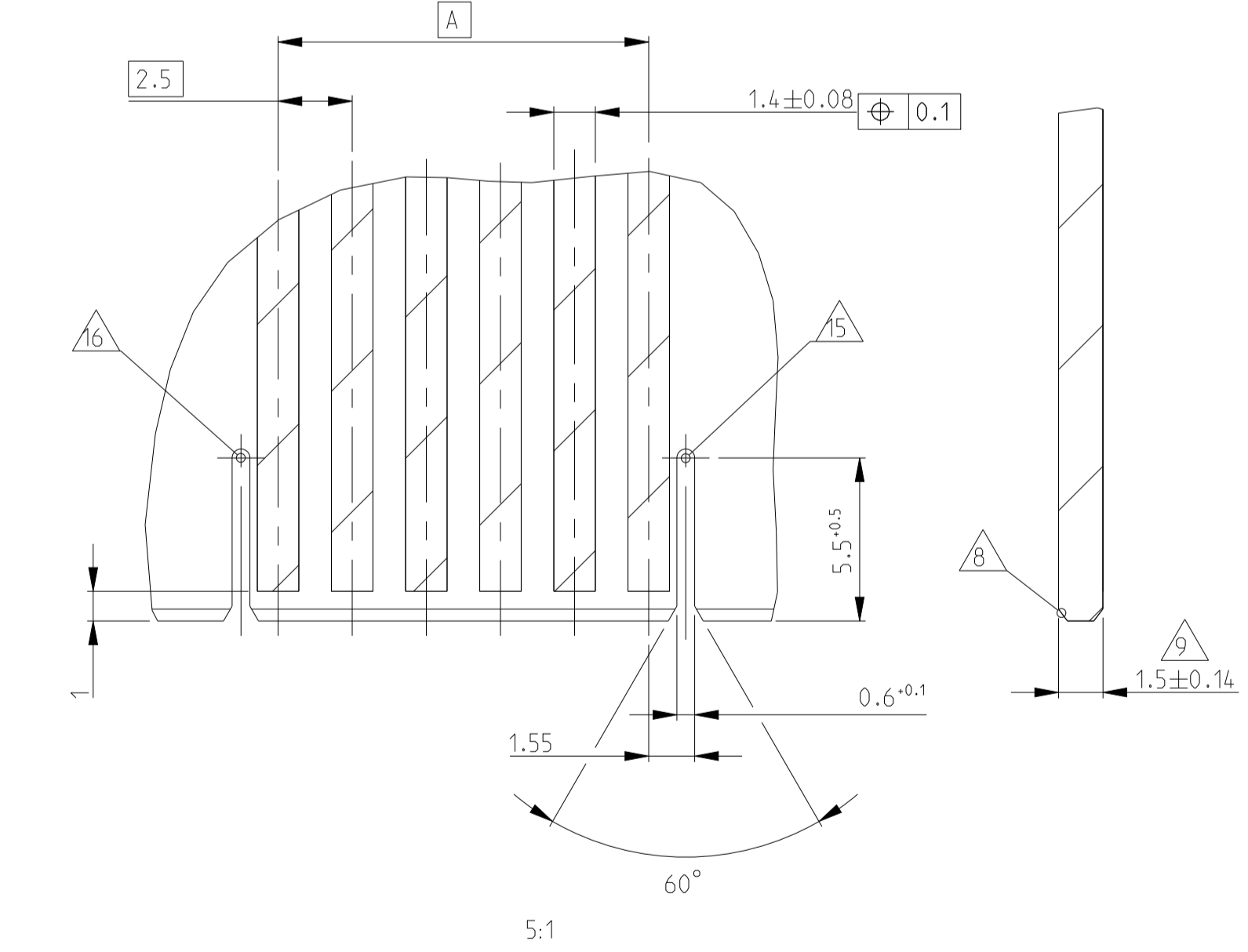
LOC	DIST	REVISIONS					
A1	-	P	LTA	DESCRIPTION	DATE	DWN	APVD
		D56		ECR-21-116062	07DEC2021	PJ	FL
		D57		ECR-21-121759	23NOV2021	TL	FL
		D58		ECR-22-126220	20JAN2022	PJ	FL
		D59		ECR-22-130023	22FEB2022	DC	FL



PCB LAYOUT KEYED / CONNECTED ONLY WITH ADDITIONAL FRAME (THICK KEYING)
Leiterplattenanschluss kodiert / nur in Verbindung mit zusätzlichem Rahmen



PCB LAYOUT KEYED / CONNECTED ONLY WITH ADDITIONAL FRAME (SLIM KEYING)
Leiterplattenanschluss kodiert / nur in Verbindung mit zusätzlichem Rahmen



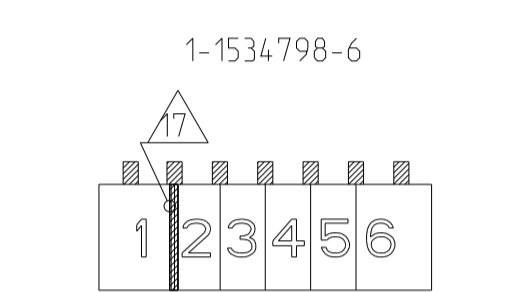
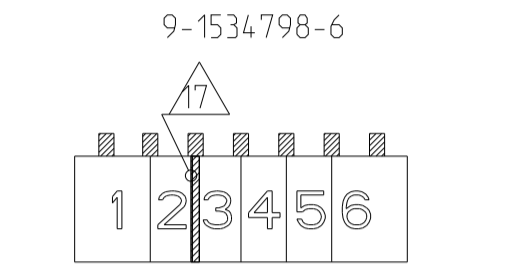
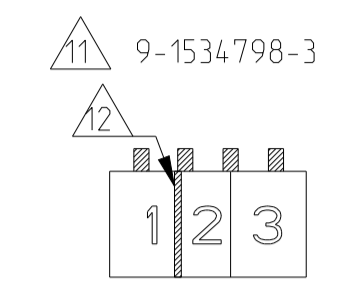
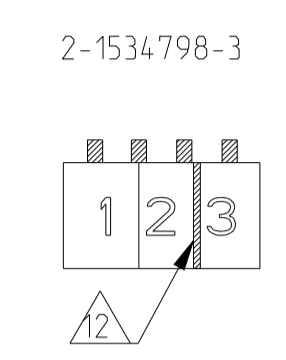
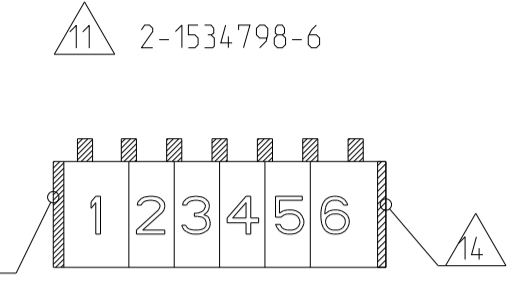
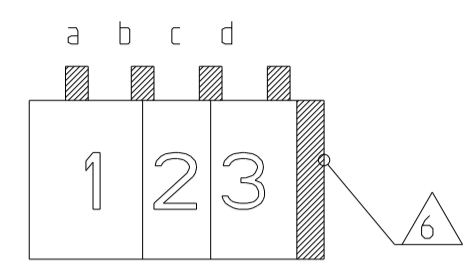
OTHER NOTE SEE SHEET 3 OF 3.

THIS DRAWING IS A CONTROLLED DOCUMENT.		OWN: H. Karabiyik 24MAY2002	 TE Connectivity
DIMENSIONS: mm		CHK: B. Schnaubelt 24MAY2002	
TOLERANCES UNLESS OTHERWISE SPECIFIED:		APVD: T. Klenner 24MAY2002	
0 PLC ±0.2 1 PLC ±0.2 2 PLC ±0.2 3 PLC ±0.2 4 PLC ±0.2 ANGLES ±°		NAME: AMP DUOPLUG 2.5 MARK II FEMALE CONNECTOR 3-20 POSITION SELECTIVE LOADED	
MATERIAL: -		PRODUCT SPEC: 108-18785	SIZE: A1
		APPLICATION SPEC: 114-18467	CAGE CODE: 00779
		WEIGHT: -	DRAWING NO: C=1534798
		Customer Drawing	RESTRICTED TO: -
			SCALE: 10:1 SHEET 1 OF 3 REV: U59

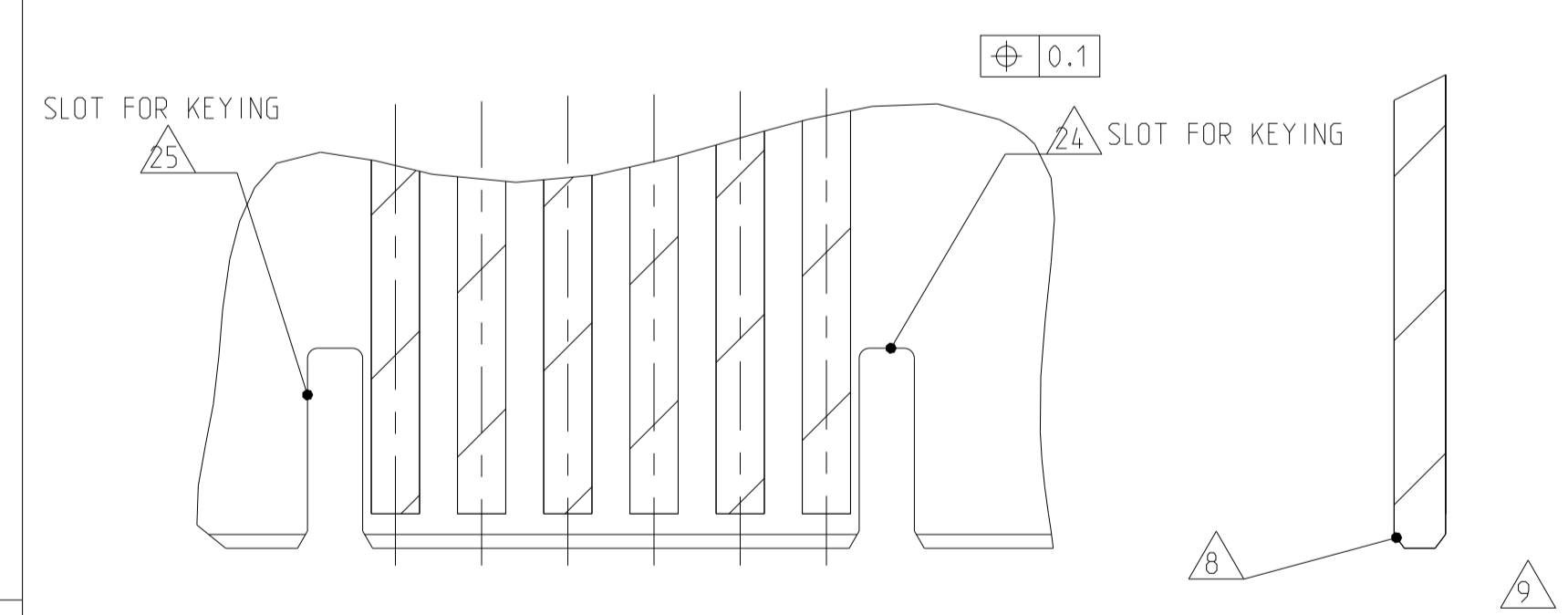
KEYING PLAN

Kodierschema

4-1534798-3



PCB LAYOUT KEYED / CONNECTED ONLY WITH ADDITIONAL FRAME (KEYING THICKNESS-1.5mm)



5:1

GWEPT 750°C NO FLAME & UL94-V2, TIN PLATED VERSION																																
Color	20	19	18	17	16	15	14	13	12	11	10	9	8	7	6	5	4	3	2	1	POS. Polzahl	DIM A	DIM B	KEYING	KEYING	KEYING	KEYING	KEYING	KEYING	PN Bestell-Nr.		
		X	0	X	0	X	0	X	0	X	0	X	0	X	0	X	0	X	0	X	19	45	49.9					17/18	-	-	-	2-1534799-9/11
		X	0	X	0	X	0	X	0	X	0	X	0	X	0	X	0	X	0	X	19	45	49.9					-	-	-	1-1534799-9	
				X	0	X	0	X	0	X	0	X	0	X	0	X	0	X	0	X	17	40	44.9					8/9			1534799-7/11	
						X	0	X	0	X	0	X	0	X	0	X	0	X	0	X	15	35	39.9					-	-	-	1-1534799-5	
								X	X	0	0	0	X	X	X	X	X	X	X	13	30	34.9					-	-	-	4-1534799-3/11		
								X	0	X	0	X	0	X	0	X	0	X	0	X	13	30	34.9					-	-	-	3-1534799-3	
									X	X	X	X	0	X	0	X	0	X	0	X	12	27.5	32.4								1-1534799-2/11	
									X	X	X	X	0	X	0	X	0	X	0	X	12	27.5	32.4					8/9			2-1534799-2/11	
Black									X	0	X	0	0	0	X	0	X	0	X	11	25	29.9									5-1534799-1	
									X	0	X	X	X	X	X	X	0	X	X	11	25	29.9									4-1534799-1	
									X	0	X	0	X	0	X	0	X	0	X	11	25	29.9									3-1534799-1	
									X	0	X	0	X	0	X	0	X	0	X	11	25	29.9									2-1534799-1	
									X	0	X	0	X	0	X	0	X	0	X	10	22.5	27.4									5-1534798-0	
									X	0	X	X	0	X	0	X	0	X	0	X	10	22.5	27.4								4-1534798-0/11	
									X	0	X	0	X	0	X	0	X	0	X	10	22.5	27.4									3-1534798-0	
									X	X	X	0	X	0	X	0	X	0	X	10	22.5	27.4									2-1534798-0	
										X	0	X	0	0	X	X	X	X	X	9	20	24.9									7-1534798-9	
										X	0	X	X	X	X	X	X	0		9	20	24.9									6-1534798-9	
										X	0	X	X	0	X	X	0	X		9	20	24.9									5-1534798-9	
										X	0	X	X	0	X	0	X	X		9	20	24.9									4-1534798-9	
										X	0	X	0	X	0	X	0	X		9	20	24.9									3-1534798-9	
											X	0	X	0	X	0	X	X		8	17.5	22.4									9-1534798-8	
											X	X	0	X	X	0	X			8	17.5	22.4									8-1534798-8	
											X	0	X	X	X	X	X			8	17.5	22.4									7-1534798-8	
											X	X	X	X	X	0	X			8	17.5	22.4									6-1534798-8	
											X	X	X	X	X	0	X			8	17.5	22.4									5-1534798-8	
											X	X	0	0	0	X	X			8	17.5	22.4									4-1534798-8	
											X	X	0	0	0	X	X			8	17.5	22.4									3-1534798-8	
Black											X	0	X	0	X	0	X			7	15	19.9									6-1534798-7	
											X	0	X	0	0	0	X			7	15	19.9									5-1534798-7	
											X	0	X	X	X	X	X			7	15	19.9									4-1534798-7/11	
											X	0	X	0	X	0	X			7	15	19.9									3-1534798-7	
Orange											X	X	0	0	X	0	X			7	15	19.9									1534798-7	
												X	0	X	X	0	X			6	12.5	17.4									2-1534798-6	
Black											X	0	X	X	0	X				6	12.5	17.4									1-1534798-6	
Red											X	0	X	X	0	X				6	12.5	17.4									9-1534798-6	
											X	0	X	0	X	X				6	12.5	17.4									8-1534798-6	
											X	X	X	0	X	X				6	12.5	17.4									7-1534798-6	
											X	X	X	0	X	X				6	12.5	17.4									6-1534798-6	
											X	0	X	X	0	X				6	12.5	17.4									5-1534798-6	
											X	0	X	X	0	X				6	12.5	17.4					X	X			2314657-6	
											X	0	X	X	0	X				6	12.5	17.4					X	X			1-2314657-6/11	
											0	0	0	X	0	X				6	12.5	17.4									4-1534798-6	
											X	X	0	X	0	X				6	12.5	17.4									3-1534798-6	
											X	X	0	X	X					5	10	14.9									9-1534798-5	
Brown											X	0	X	0	X					5	10	14.9									8-1534798-5	
											X	0	X	0	0					5	10	14.9									7-1534798-5	
Black											X	0	X	0	X					5	10	14.9									6-1534798-5	
											X	X	X	0	X					5	10	14.9									5-1534798-5	
											X	0	0	0	X					5	10	14.9									4-1534798-5	
											X	0	X	0	X					5	10	14.9									3-1534798-5	
											X	0	X	X	X					5	10	14.9									2-1534798-5/11	
											X	X	0	X						4	7.5	12.4									3-1534798-4/11	
Orange												X	0	X						3	5	9.9									1-1534798-3	
												X	0	X						3	5	9.9									1534798-3	
												X	0	X																		

