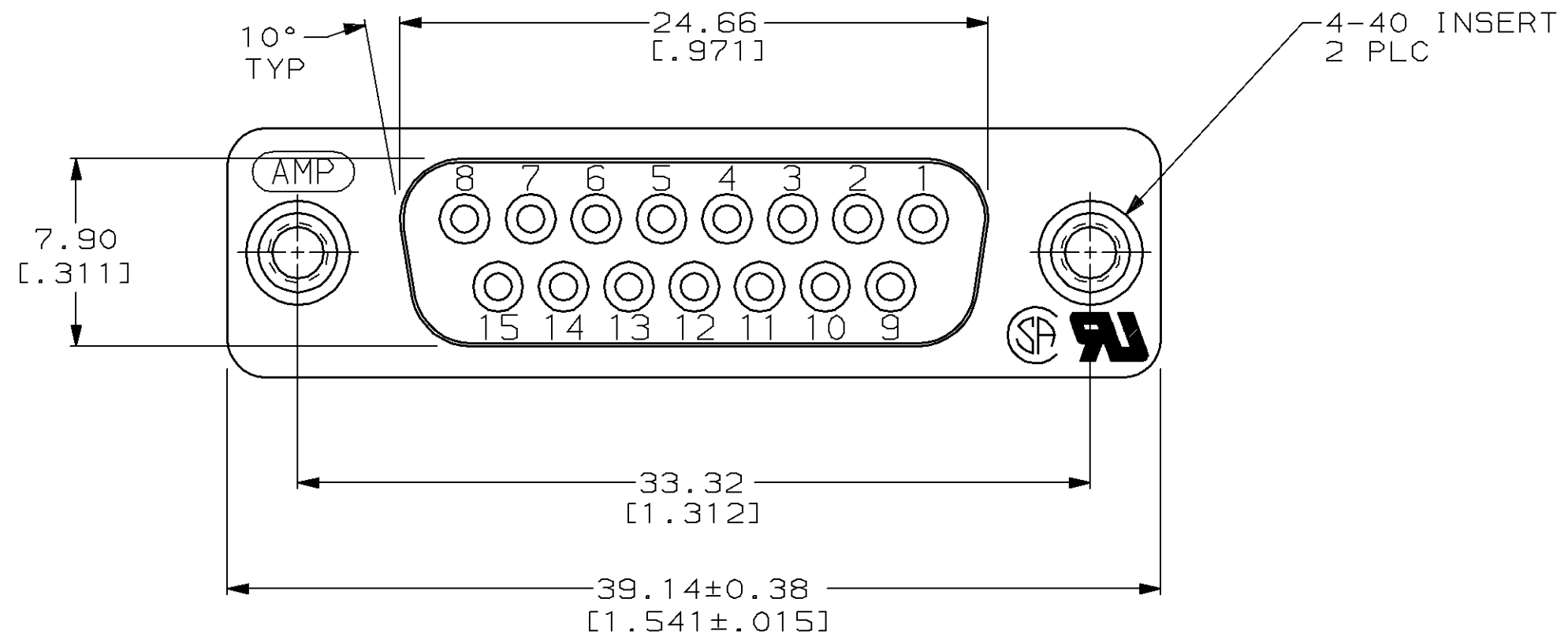
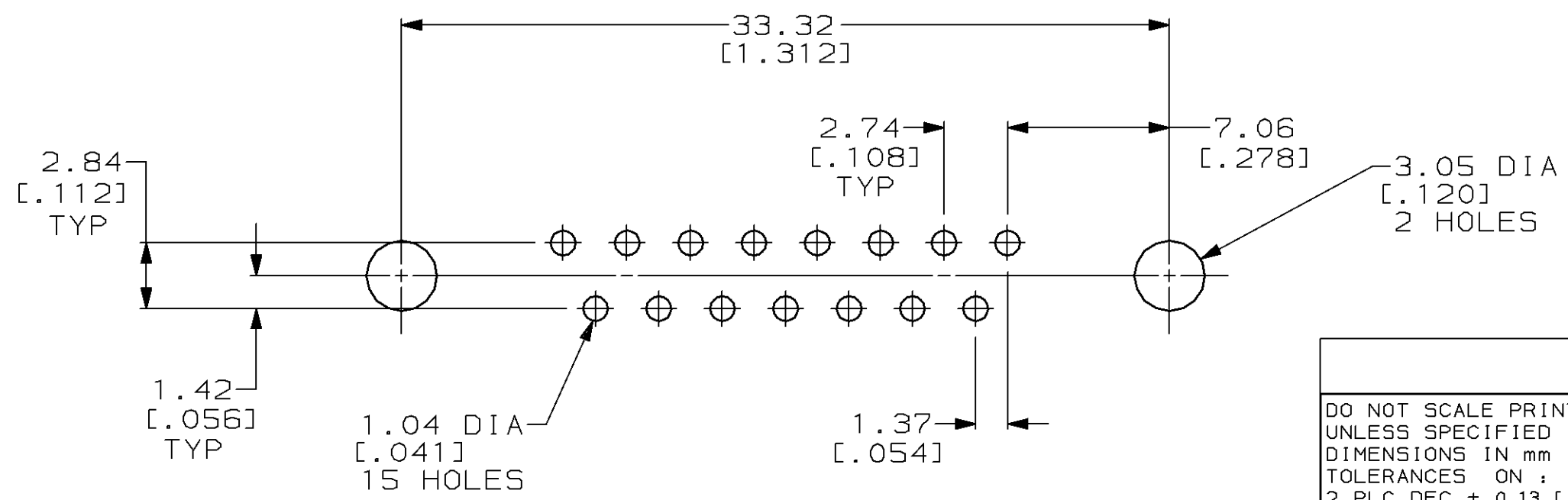
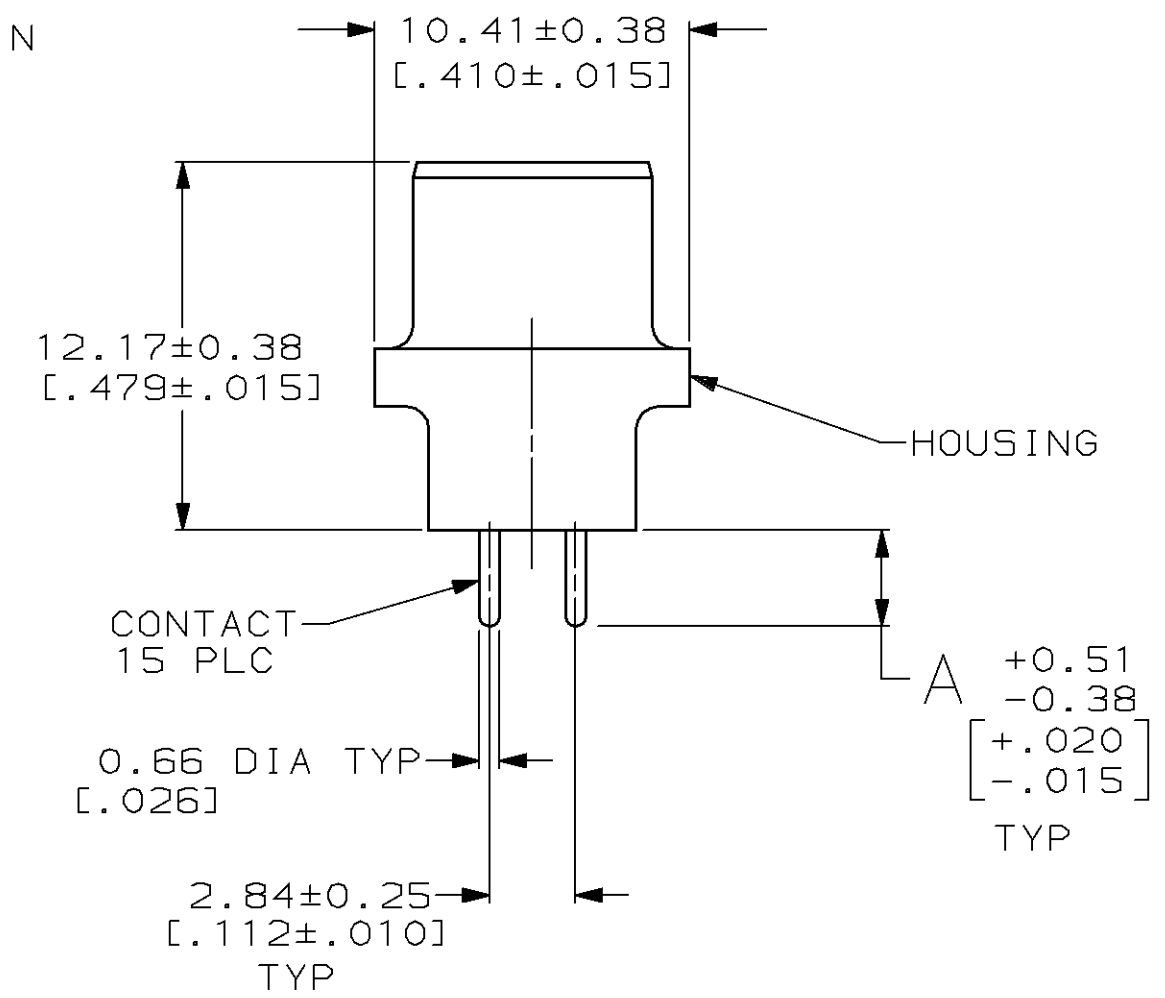
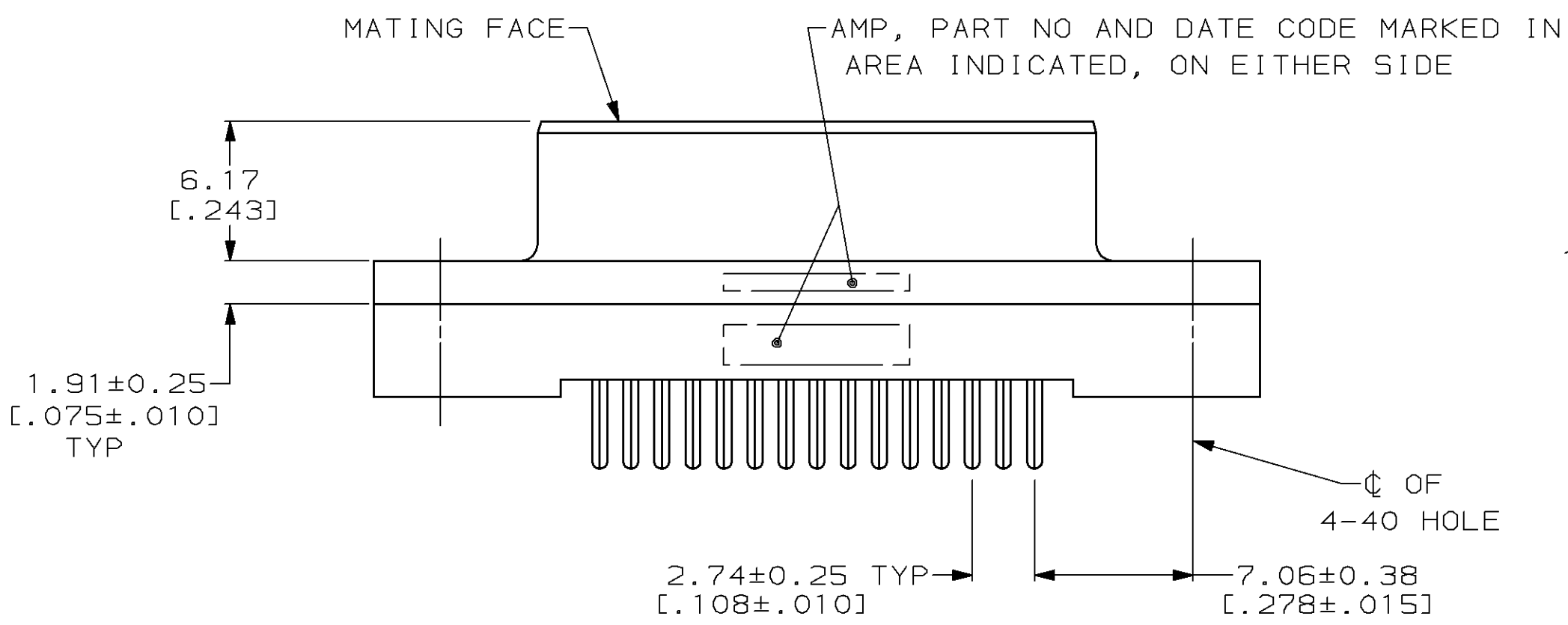


THIS DRAWING IS UNPUBLISHED. RELEASED FOR PUBLICATION, 19 .
 © COPYRIGHT 19 BY AMP INCORPORATED. ALL INTERNATIONAL RIGHTS RESERVED.

LOC	DIST	P	F	REVISIONS				
				ZONE	LTR	DESCRIPTION	DATE	APPD
BD	77			C		REDRAWN & REVISED, ECN BD3361	11-89	SS
				D		OBS 745057-5, -8 BD6038	06/09/92	CR
				E		OBS -6, -7 PER EC 0020-964-93	04/11/94	CR



- ① HOUSING: BLACK POLYESTER, UL 94V-0 RATED; CONTACTS: PHOSPHOR BRONZE PER QQ-B-750; INSERTS: BRASS PER QQ-B-626.
- ② GOLD PLATING PER MIL-G-45204, TIN PLATING PER MIL-T-10727, NICKEL PLATING PER QQ-N-290.
- ③ GOLD FLASH FOR A LENGTH OF 2.54 [0.100] MIN FROM MATING END, 2.54 μm [0.000100] MIN TIN OR TIN-LEAD FOR A LENGTH OF DIMENSION A FROM OPPOSITE END, ALL OVER 1.27 μm [0.000050] MIN NICKEL.
- ④ 0.76 μm [0.000030] MIN GOLD FOR A LENGTH OF 2.54 [0.100] MIN FROM MATING END, 2.54 μm [0.000100] MIN TIN OR TIN-LEAD FOR A LENGTH OF DIMENSION A FROM OPPOSITE END, ALL OVER 1.27 μm [0.000050] MIN NICKEL.



OBSOLETE	6.35 [0.250]	④	745057-8
OBSOLETE	6.35 [0.250]	③	745057-7
OBSOLETE	4.32 [0.170]	④	745057-6
OBSOLETE	4.32 [0.170]	③	745057-5
	3.18 [0.125]	④	745057-4
	3.18 [0.125]	③	745057-3

DO NOT SCALE PRINT. UNLESS SPECIFIED DIMENSIONS IN mm [INCHES] TOLERANCES ON:		DR 11-16-89 J McCLINTON	
2 PLC DEC ± 0.13 [0.005]		CHK 2-1-90 R.STONE	
3 PLC DEC ± -		APPD 2-2-90 S.SCHIEFFERLY	
ANGLES ± 2°		APPD 2-2-90 C.ROHDE	
MATERIAL		PRODUCT SPEC	108-40025
FINISH ②		APPLICATION SPEC	-
CONTACT: SEE TABLE		WEIGHT	-
		SIZE	CAGE CODE
		C	00779
		DRAWING NO	745057
		SCALE	4:1
		SHEET	1 OF 1

AMP AMP INCORPORATED
 Harrisburg, Pa. 17105

NAME
 RECEPTACLE ASSEMBLY, SIZE 2,
 15 POSN, VERTICAL,
 AMPLIMITE® HD-20

RECOMMENDED PC BOARD
 MOUNTING DIMENSIONS