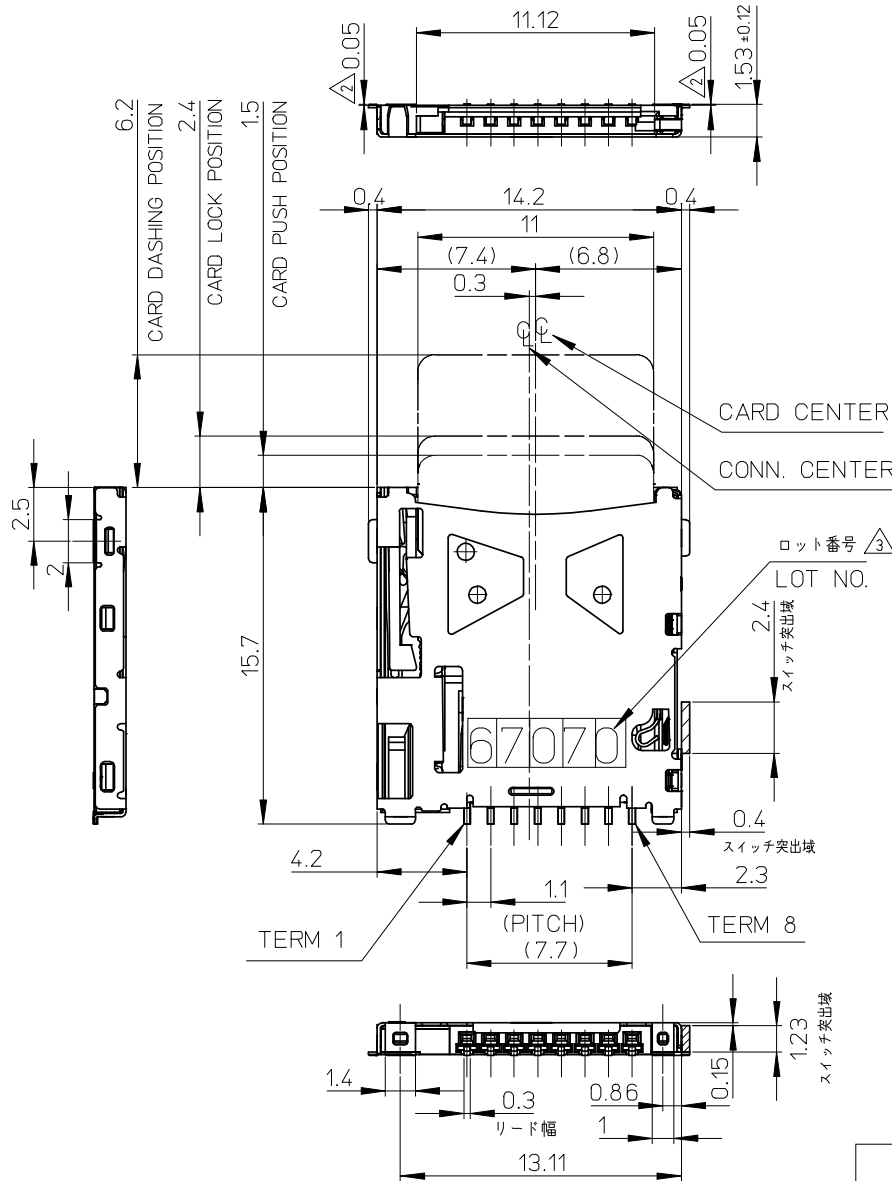


NOTES

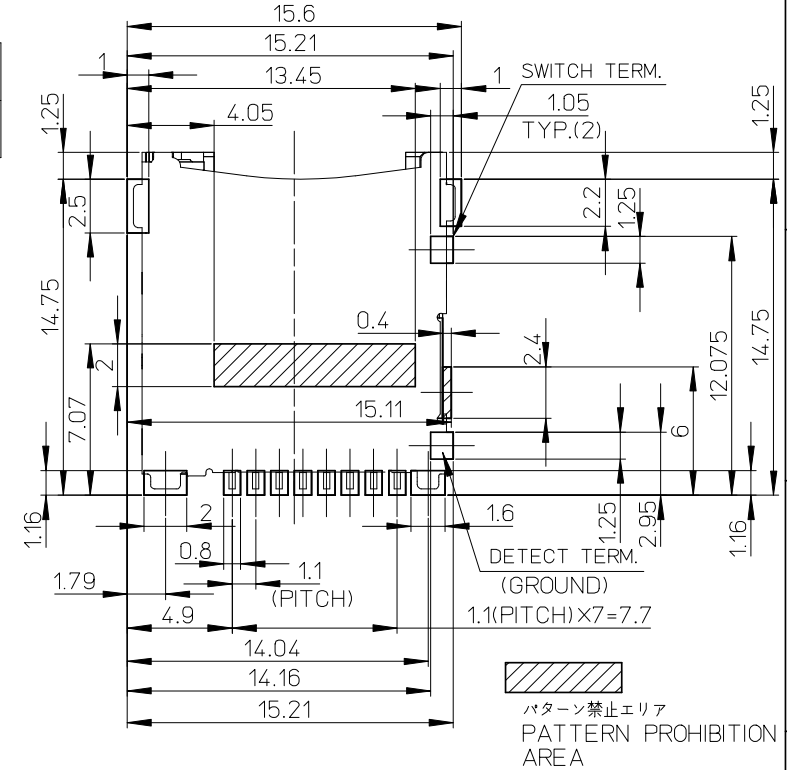
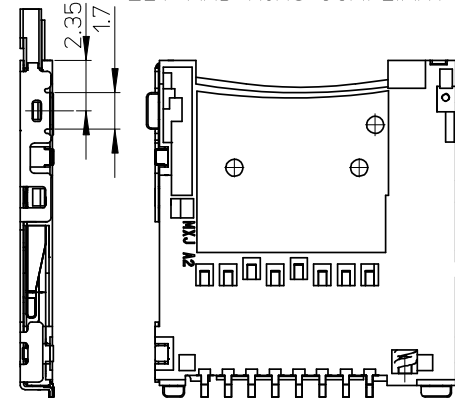
- ターミナル及びベネルの平坦度は0.1MAX.とする。
COPLANARITY OF TERMINAL AND NAIL IS TO BE 0.1MAX.
② スタンドオフ寸法
DIMENSIONS OF STAND OFF.
ロット印字は任意とする
LOT NUMBERING IS TO BE OPTIONAL.
- 肉抜き位置は任意とする。
CAVITY IS TO BE OPTIONAL.
- カード検知スイッチ
DETECT SWITCH

ロットNo. : 6 7 0 7 0
 月 7 : 7月
 西暦(1桁目) : 6 : 2006年
 THE YEAR OF GRACE
 ラインNo. LINE No.
 DAY 07 : 07日



カード挿入時 CARD INSERTING POSITION	クローズ CLOSE
カード未挿入時 NO CARD	オープン OPEN

6. ELV及びRoHS適合品
ELV AND RoHS COMPLIANT



RECOMMENDED PCB PATTERN LAYOUT
GENERAL TOLERANCE : ±0.05

EMBOSSSED TAPE	502702-0891	502702-08**
CONNECTOR ONLY	502702-0811	
PACKAGE	MATERIAL NO.	MODEL NO.

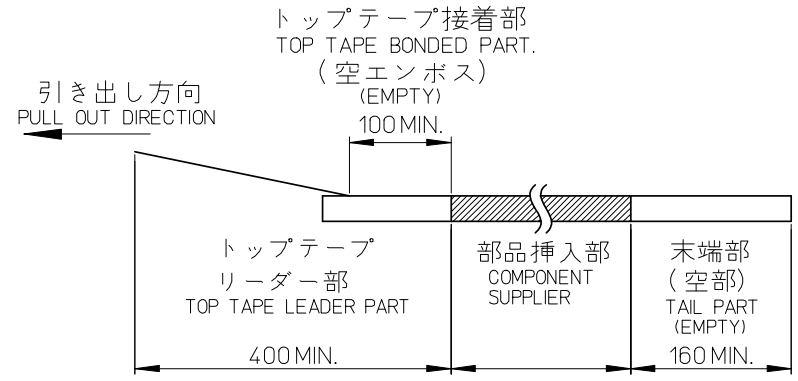
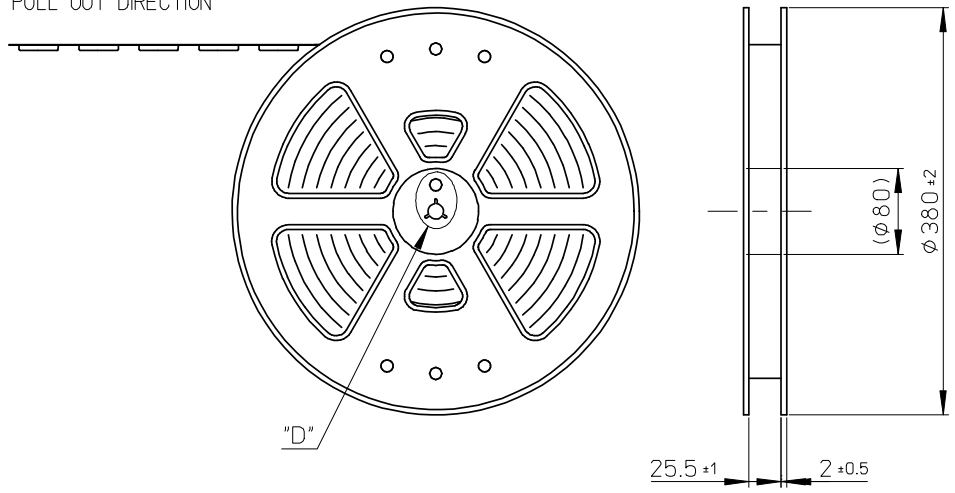
TERM 1	DAT2
TERM 2	CD/DAT3
TERM 3	CMD
TERM 4	Vdd
TERM 5	CLK
TERM 6	VSS
TERM 7	DAT0
TERM 8	DAT1

RELEASED EC NO: J2008-3093 DRWN: NABEI CHKD: THARUYAMA APPR: NUKITA	GENERAL TOLERANCES (UNLESS SPECIFIED)	DIMENSION STYLE MM ONLY	SCALE ---	DESIGN UNITS METRIC	THIRD ANGLE PROJECTION
	10 UNDER	±0.2	DRAWN BY M. NABEI	DATE '08/02/22	TITLE MICRO SD CARD CONN. NORMAL LOW-PROFILE ASS'Y
	10 OVER 30 UNDER	±0.25	CHECKED BY T. HARUYAMA	DATE '08/02/22	MOLEX INCORPORATED
	30 OVER	±0.3	APPROVED BY N. UKITA	DATE '08/02/22	SD-502702-003
ANGULAR ±1 °		MATERIAL NO.	DOCUMENT NO.	SHEET NO.	
DRAFT WHERE APPLICABLE MUST REMAIN WITHIN DIMENSIONS		SEE TABLE	SD-502702-003		1 OF 1
THIS DRAWING CONTAINS INFORMATION THAT IS PROPRIETARY TO MOLEX INCORPORATED AND SHOULD NOT BE USED WITHOUT WRITTEN PERMISSION					

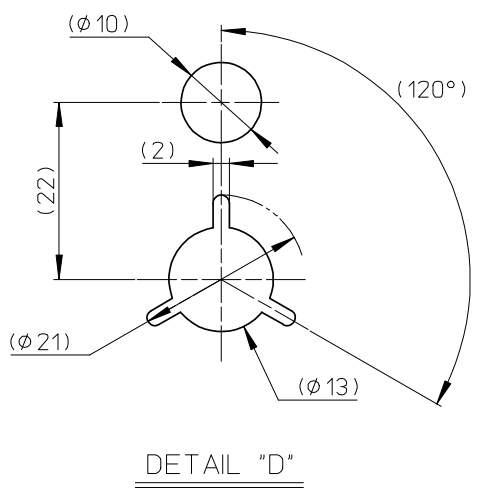
NOTES

- 製品詳細寸法は製品単体図面を参照して下さい。
FOR DETAIL OF CONNECTOR DIMENSIONS, PLEASE SEE THE DRAWING OF CONNECTOR ITSELF (NOT PACKAGED).
- 梱包数量：1000 個／リール
NUMBER OF CONNECTORS . 1000 PCS/REEL.
- リードテープ長さ LEAD TAPE LENGTH.

引き出し方向
PULL OUT DIRECTION

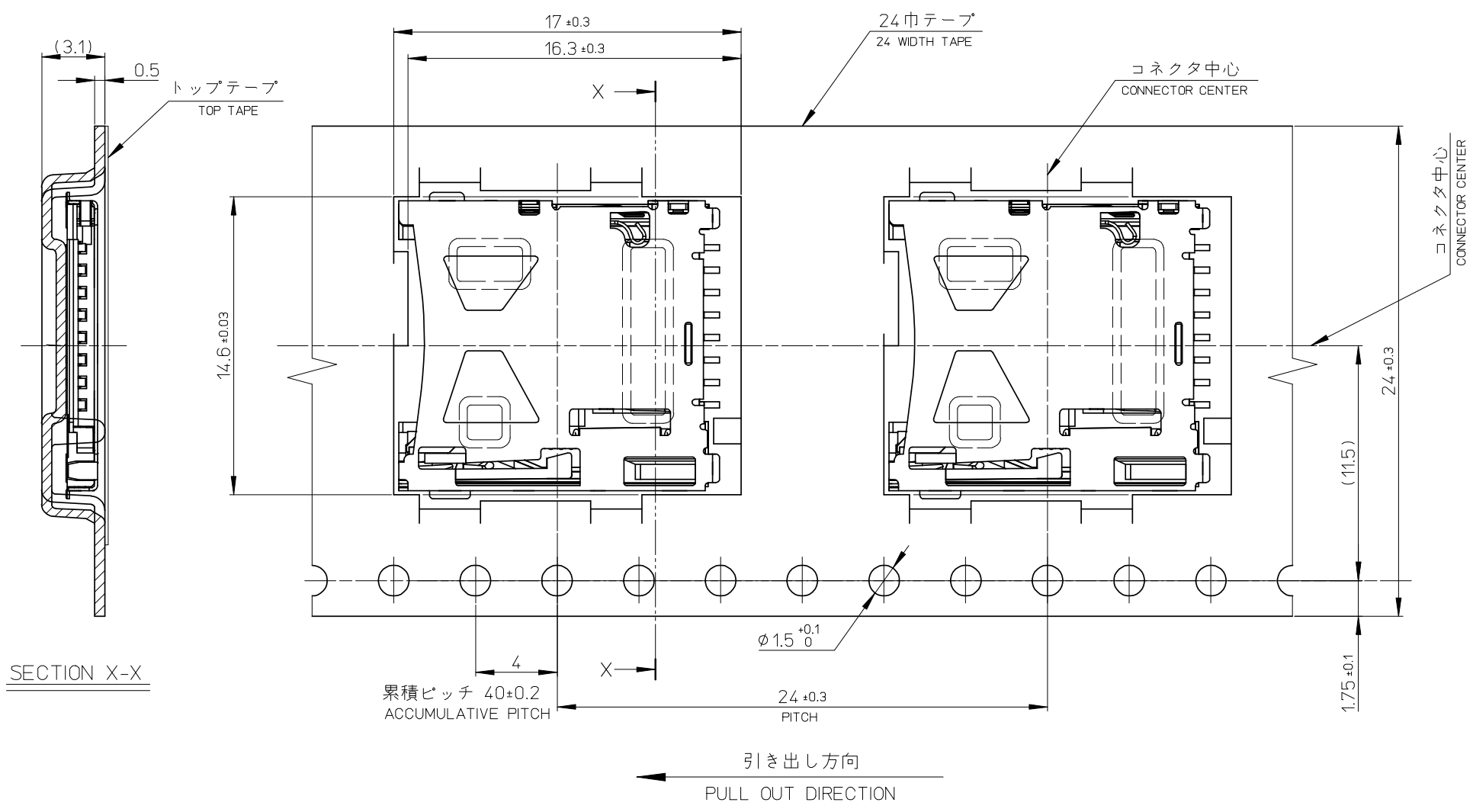


- 材料 MATERIAL
キャリアテープ (CARRIER TAPE) : ポリスチレン (POLYSTYRENE)
トップテープ (TOP TAPE) : PET, PE, PEF
リール (REEL) : ポリスチレン (PS) <リサイクル材含む>
POLYSTYRENE (PS) <RECYCLE MATERIAL CONTAINED>
- ELV 及び RoHS 適合品
ELV AND RoHS COMPLIANT



502702-0811	502702-0891	502702-08**
CONNECTOR	MATERIAL NO.	MODEL NO.

RELEASED EC NO: J2008-3093 DRWN: NABEI 2008/02/29 CHKD: HARUYAMA 2008/02/29 APPR: NUKITA 2008/03/03	DESCRIPTION	GENERAL TOLERANCES (UNLESS SPECIFIED)	DIMENSION STYLE	SCALE	DESIGN UNITS	THIRD ANGLE PROJECTION	
	REV	10 UNDER ±0.2	MM ONLY	---	METRIC	☉	
	0	10 OVER 30 UNDER ±0.25		DRAWN BY DATE	TITLE		
		30 OVER ±0.3		M. NABEI '08/02/22	MICRO SD CONN. LOW-PRO EMBOSSED TAPE PACKAGE		
		ANGULAR ±1 °		CHECKED BY DATE	MOLEX MOLEX INCORPORATED		
	DRAFT WHERE APPLICABLE MUST REMAIN WITHIN DIMENSIONS		T. HARUYAMA '08/02/22	DOCUMENT NO.		SHEET NO.	
			APPROVED BY DATE	SD-502702-004		1 OF 2	
			N. UKITA '08/02/22	THIS DRAWING CONTAINS INFORMATION THAT IS PROPRIETARY TO MOLEX INCORPORATED AND SHOULD NOT BE USED WITHOUT WRITTEN PERMISSION			



RELEASED EC NO: J2008-3093 DRWN: NABEI 2008/02/29 CHKD: HARUYAMA 2008/02/29 APPR: NUKITA 2008/03/03	GENERAL TOLERANCES (UNLESS SPECIFIED)		DIMENSION STYLE MM ONLY		SCALE ---	DESIGN UNITS METRIC	THIRD ANGLE PROJECTION	
	10 UNDER	±0.2	DRAWN BY M. NABEI	DATE '08/02/22	TITLE MICRO SD CONN. LOW-PRO EMBOSSSED TAPE PACKAGE			
	10 OVER 30 UNDER	±0.25	CHECKED BY T. HARUYAMA	DATE '08/02/22				
	30 OVER	±0.3	APPROVED BY N. UKITA	DATE '08/02/22	MOLEX INCORPORATED MATERIAL NO. SEE SHEET 1 DOCUMENT NO. SD-502702-004 SHEET NO. 2 OF 2			
	ANGULAR ±1 °		DRAFT WHERE APPLICABLE MUST REMAIN WITHIN DIMENSIONS					
O		REV		THIS DRAWING CONTAINS INFORMATION THAT IS PROPRIETARY TO MOLEX INCORPORATED AND SHOULD NOT BE USED WITHOUT WRITTEN PERMISSION				