

# GFL | Lobe threaded nut

Technopolymer

METRIC

RoHS

PA

+212 °F  
-22 °F

# GN 6305.1 | Quick-tightening toggle nuts

# Quick-tightening toggle nuts

Steel

METRIC

RoHS

- 1
- 2
- 3
- 4
- 5
- 6
- 7
- 8
- 9
- 10
- 11
- 12
- 13
- 14
- 15
- 16
- 17
- 18

## MATERIAL

Glass-fibre reinforced polyamide based (PA) technopolymer, black colour, matte finish.

## STANDARD EXECUTION

Brass boss, threaded through hole.

## FEATURES AND APPLICATIONS

The ergonomic seven-lobe shape allows an effective grip to the operator when tightening.

Suitable for axial locking; it can be used as a nut.

## STANDARD EXECUTION

Zinc-plated steel hub, pass-through oblique hole, partially threaded. The two lever arms are welded to the hub.

## FEATURES AND APPLICATIONS

The axial thread, intersecting with the oblique hole, creates the conditions allowing for quick tightening with just a few turns creating an effective tightening over many threads.

## SPECIAL EXECUTIONS ON REQUEST

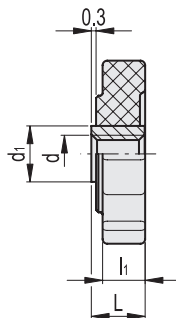
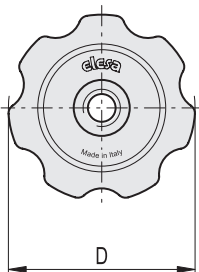
Stainless steel.

## INSTRUCTIONS FOR USE

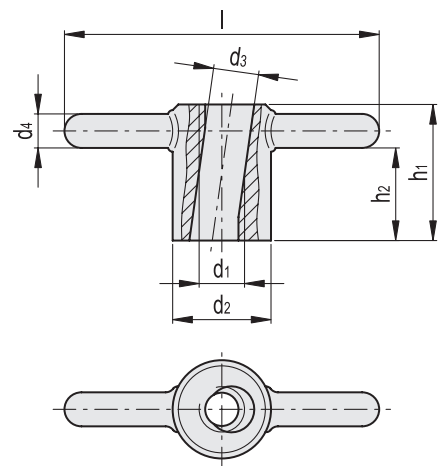
The nut thread must fit onto the pin in the axial position. All threads are engaged with a slight tightening.



ELESA Original design



Conversion Table			
1 mm = 0.039 inch			
D		l	
mm	inch	mm	inch
40	1.57	68	2.68
		82	3.23
		98	3.86



Clamping knobs

METRIC

Code	Description	D	d6H	L	d1	l1	Δ
168541	GFL.40-B M8	40	M8	10	12	8.5	7
168542	GFL.40-B M10	40	M10	10	13	8.5	6

METRIC

Code	Description	d1	d2	d3	d4	l	h1	h2	Δ
GN.63391	GN 6305.1-M10-ST	M10	24	10.5	8	68	30	20	100
GN.63393	GN 6305.1-M12-ST	M12	26	13	9	82	36	24.5	138
GN.63395	GN 6305.1-M16-ST	M16	32	17	10	98	45	32	240