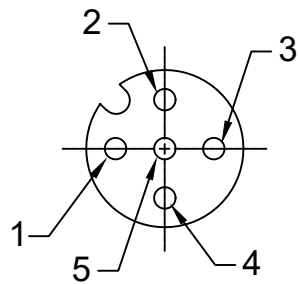


FEMALE FACE VIEW

5-POLE



WIRING DIAGRAM

- 1 BROWN
- 2 WHITE
- 3 BLUE
- 4 BLACK
- 5 GRAY

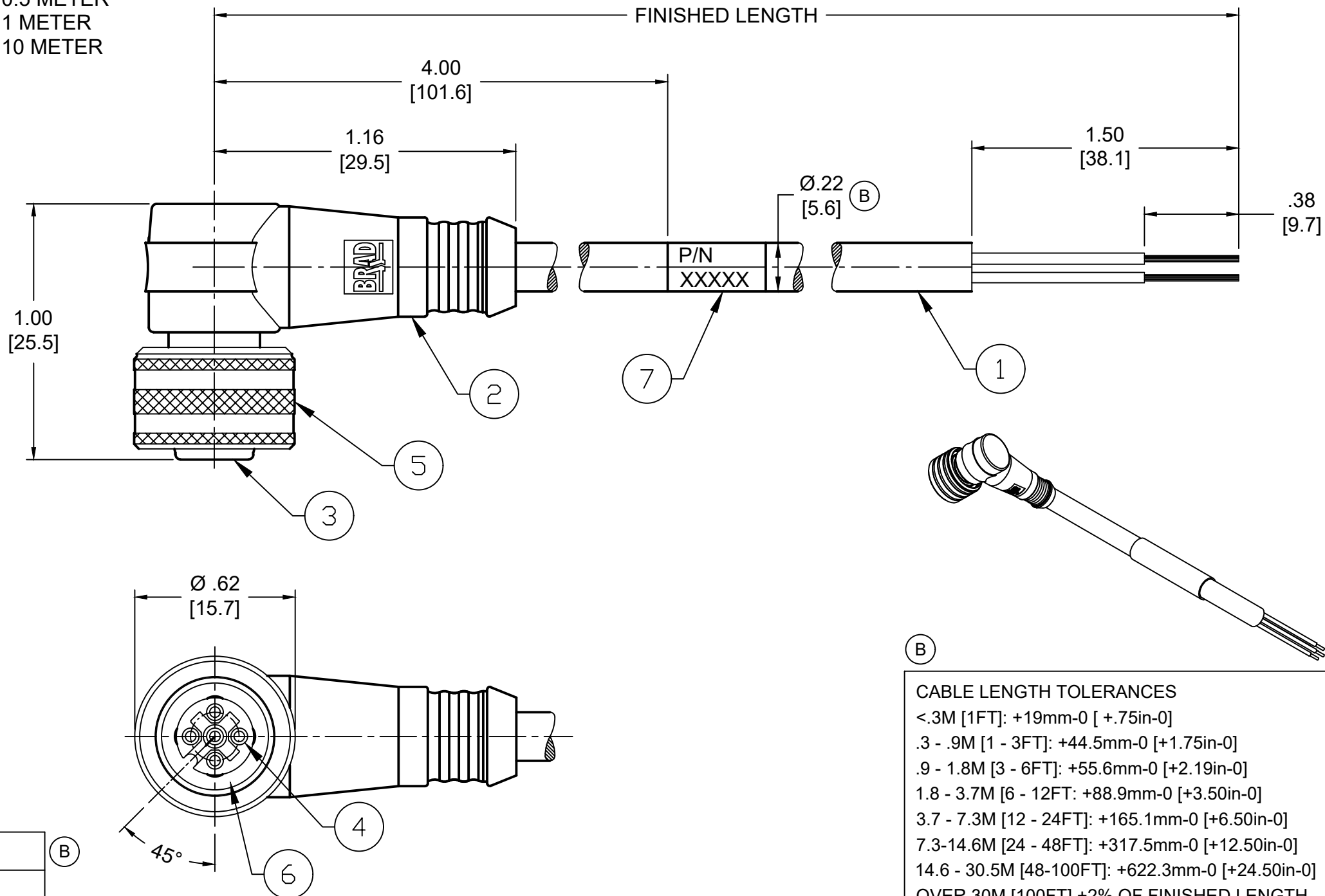
**(B)**  
PART NUMBER LEGEND  
W05001A09M020

FINISHED LENGTH  
M005 = 0.5 METER  
M010 = 1 METER  
M100 = 10 METER

PART NO	ENGINEERING NO.	FINISHED LENGTH
1200790223	W05001A09M020	2M [ 6FT 7 IN ]
1200790203	W05001A09M050	5M [16FT 5 IN]
1200790205	W05001A09M100	10M [32FT 10 IN]

NOTES:

1. MATERIAL: SEE TABLE
2. FINISH: SEE TABLE
3. ELECTRICAL:  
VOLTAGE: 250V  
CURRENT: 4A
4. TEMP RATING: -20°TO +105°C **(B)**
5. PROTECTION: IP67/69K (WHEN MATED)
6. CSA CERTIFIED FILE: LR6837 **(B)**
7. ALL DIMENSIONS ARE FOR REFERENCE  
UNLESS TOLERANCED OR NOTED OTHERWISE



**(B)**

CABLE LENGTH TOLERANCES

<.3M [1FT]:	+19mm-0 [+ .75in-0]
.3 - .9M [1 - 3FT]:	+44.5mm-0 [+1.75in-0]
.9 - 1.8M [3 - 6FT]:	+55.6mm-0 [+2.19in-0]
1.8 - 3.7M [6 - 12FT]:	+88.9mm-0 [+3.50in-0]
3.7 - 7.3M [12 - 24FT]:	+165.1mm-0 [+6.50in-0]
7.3-14.6M [24 - 48FT]:	+317.5mm-0 [+12.50in-0]
14.6 - 30.5M [48-100FT]:	+622.3mm-0 [+24.50in-0]
OVER 30M [100FT]:	+2% OF FINISHED LENGTH

ITEM	DESCRIPTION	MATERIAL	FINISH
7	WRAP LABEL	VINYL	BLACK/YELLOW
6	O-RING	VITON	GREEN
5	COUPLER	BRASS	NICKEL PLATED
4	CONTACT SOCKET	COPPER ALLOY	GOLD OVER NICKEL
3	INSERT	PUR	BLACK
2	OVERMOLD	PUR	YELLOW
1	#22/5 CABLE	PVC	YELLOW

FUNCTIONAL SYMBOLS $F_A=0$ $F_P=0$ $F_D=0$	THIS DRAWING CONTAINS INFORMATION THAT IS PROPRIETARY TO MOLEX ELECTRONIC TECHNOLOGIES, LLC AND SHOULD NOT BE USED WITHOUT WRITTEN PERMISSION		CURRENT REV DESC: ADDED ITEM-7, CSA NUMBER, PN LEGEND, CABLE DIA & TOL CHART, MODIFIED MATERIAL NUMBER CHART.		
	DIMENSION UNITS <b>INCH/MM</b>	SCALE <b>NTS</b>	<b>molex</b>		
	GENERAL TOLERANCES (UNLESS SPECIFIED)		MICRO-CHANGE ULTRA LOCK, M12 5-POLE, FEMALE, 90DEG, SINGLE KEY, #22 AWG		
	DIVISIONAL SYMBOLS		PRODUCT CUSTOMER DRAWING		
4 PLACES ±--- ±--- 3 PLACES ±--- ±--- 2 PLACES ±--- ±--- 1 PLACE ±--- ±--- 0 PLACES ±--- ±---		EC NO: 702709 DRWN: ABENJAMINLW 2021/09/24 CHK'D: RSTONE 2022/04/11 APPR: BWOODMAN 2022/04/16	DOCUMENT NUMBER: SD-120079-012 DOC TYPE: PSD DOC PART: 001 REVISION: B		
ANGULAR TOL ± --- ° DRAFT WHERE APPLICABLE MUST REMAIN WITHIN DIMENSIONS		INITIAL REVISION: DRWN: TWOLDEGE 2009/07/06 APPR: JFMURPHY 2009/07/20	MATERIAL NUMBER: SEE CHART CUSTOMER: GENERAL MARKET	SHEET NUMBER: 1 OF 1	