

GENERAL TOLERANCE

DIM. RANGE	0.5 ~ 3	> 3 ~ 6	> 6 ~ 30	> 30 ~ 120	> 120 ~ 400
TOLERANCE	±0.1	±0.1	±0.2	±0.3	±0.5

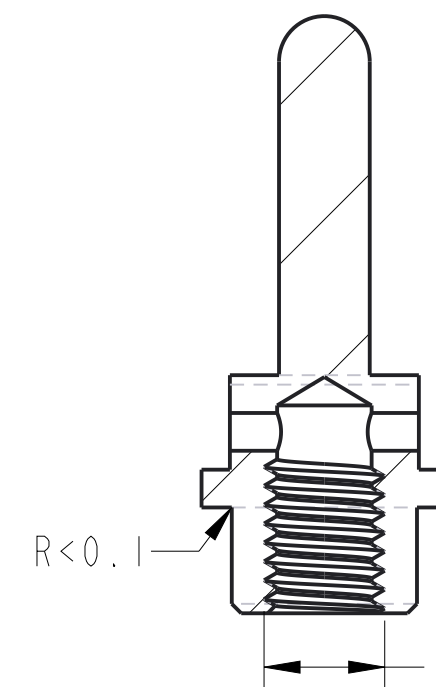
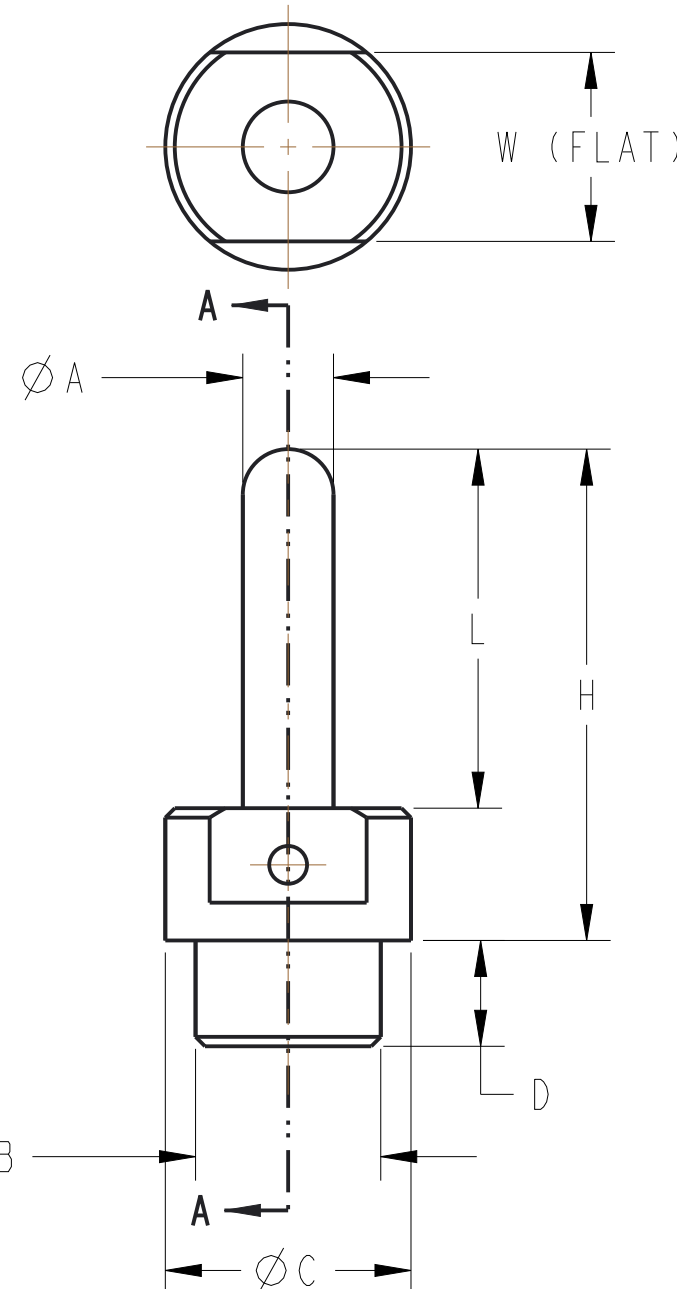
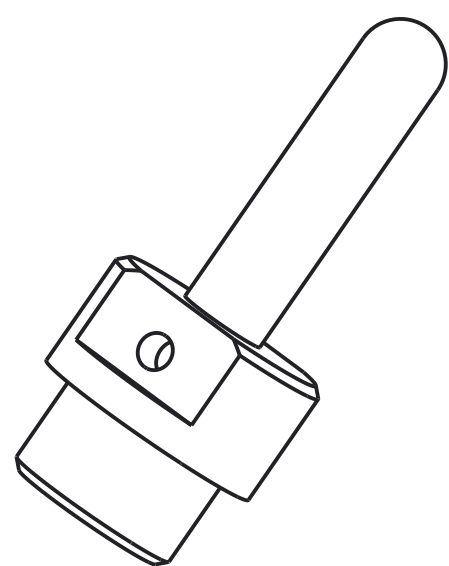
CUSTOMER DRAWING

REVISIONS

REV	DESCRIPTION	DATE
D	CHANGE THE LAYOUT TYPE	2016-12-01
E	UPDATE SPEC.	2017-02-17

PART NUMBER	PCB THICKNESS (mm) (SEE NOTE3)	∅A	∅B	∅C	D (RECOMMENDED DIMENSION) (SEE NOTE2)	E	L (REFER TO XXX)	H (=L+3.5)	W	RATED CURRENT	RADSOK SIZE
C10-737395-XXX	3.0	∅2.4±0.03	∅4.9±0.05	∅6.5	2.8	M3X0.5	EXAMPLE: 9.5	13 REF	5	35A	ST 2.4MM
C10-737396-XXX	3.0	∅3.0±0.03	∅4.9±0.05	∅6.5	2.8	M3X0.5	EXAMPLE: 13.8	17.3 REF	5	60A	ST 3.0MM
C10-737397-XXX	3.0	∅3.6±0.03	∅4.9±0.05	∅6.7	2.8	M3X0.5	EXAMPLE: 15.3	18.8 REF	5.2	70A	ST 3.6MM
C10-737398-XXX	3.0	∅5.7±0.04	∅4.9±0.05	∅8.0	2.8	M3X0.5	EXAMPLE: 17.8	21.3 REF	6.5	120A	ST 5.7MM
C10-737399-XXX	3.0	∅6.0±0.04	∅4.9±0.05	∅8.0	2.8	M3X0.5	EXAMPLE: 24.3	27.8 REF	6.5	150A	ST 6.0MM
C10-737400-XXX	3.0	∅8.0±0.05	∅5.9±0.05	∅10	2.8	M4X0.7	EXAMPLE: 24.5	28 REF	8.5	200A	ST 8.0MM

XXX:THE LAST 3 DIGITS(-XXX) OF THE P/N DENOTE THE LENGTH OF THE PIN (DIMENSION L).
 EXAMPLE:USE C10-737395-205 FOR A 20.5MM LONG PIN.



SECTION A-A

3. WHEN CHOOSING A NEW PCB THICKNESS, A NEW PART NUMBER NEED TO BE ASSIGNED.

2. DIM "D" IS DEPENDENT ON CUSTOMER'S PCB THICKNESS.

1. THE REFERENCED PRODUCT IS IN COMPLIANCE WITH THE MAXIMUM CONCENTRATION VALUES (MCVS) AS SET BY ROHS 2.0 DIRECTIVE 2011/65/EU AND ANNEX II AMENDMENT DIRECTIVE (EU)2015/863.

NOTES:

THIS DOCUMENT CONTAINS PROPRIETARY INFORMATION AND SUCH INFORMATION MAY NOT BE DISCLOSED TO OTHERS FOR ANY PURPOSE OR USED FOR MANUFACTURING PURPOSES WITHOUT WRITTEN PERMISSION FROM THE AMPHENOL CORP.

N/A	PRO/ENGINEER INFORMATION
NEXT ASSEMBLY	Pro/e Model Used:
METRIC DOCUMENT	Drawing Name:
	C10-737XXX

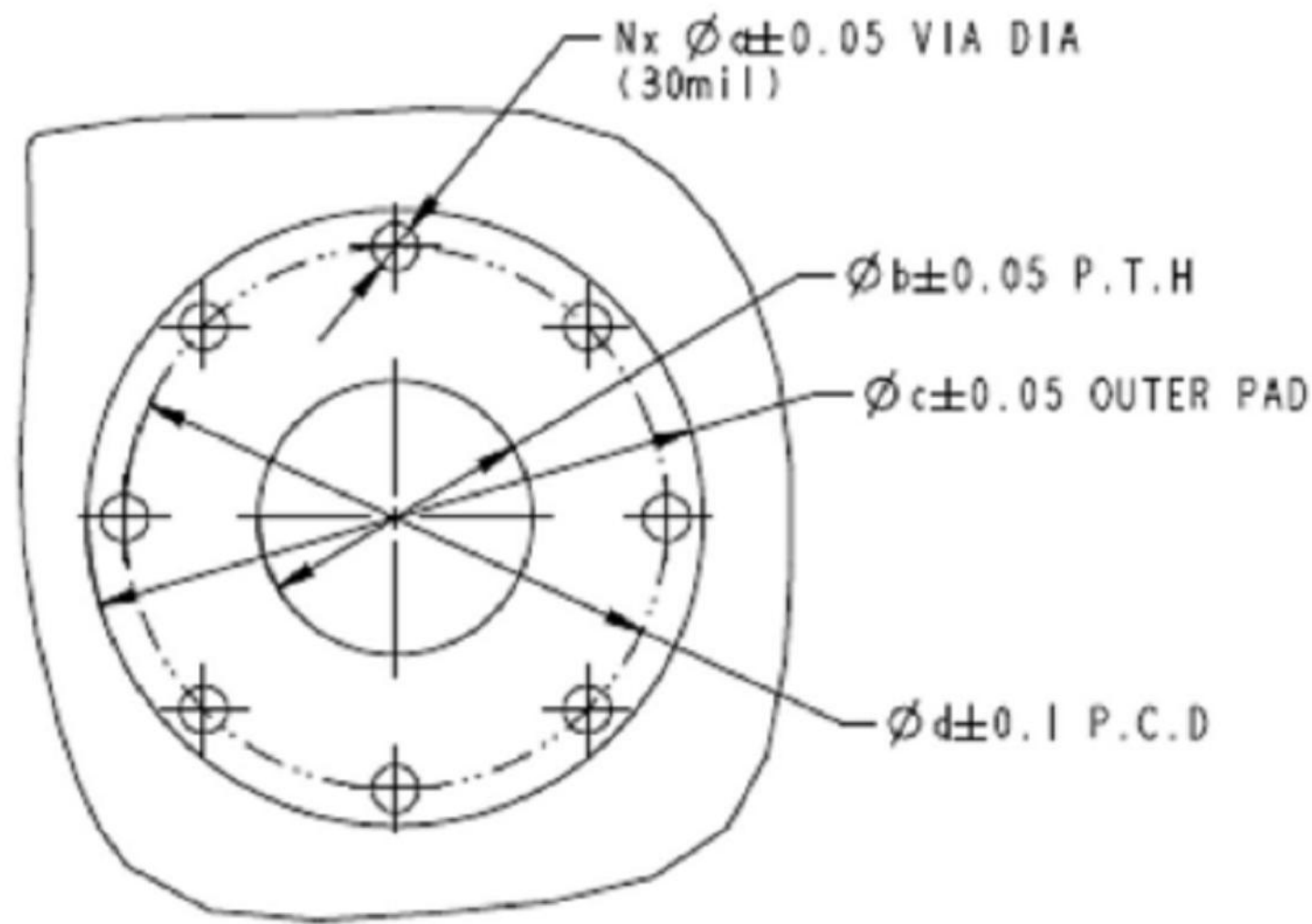
UNLESS OTHERWISE SPECIFIED	SPECIFICATIONS	POS	QTY	PART NUMBER	DESCRIPTION	NOTE
LINEAR DIMENSIONS ARE IN: MILLIMETERS TOLERANCES: ANGLES= ±2° DEFAULT LINEAR TOLERANCES SEE TABLE	MATERIAL SPEC. C14500 COPPER	APPROVALS		DATE	PARTS LIST	
DIM. & TOL. PER ASME Y14.5M-1994; DRM PER MIL-DTL-31000; OTHER AMPHENOL STANDARDS: 9-9318	PROCESS SPEC. SILVER PLATED	PREPARED BY	PACEY CHEN	Nov-15-16	AMPHENOL INDUSTRIAL OPERATIONS Amphenol Technology(Zhuhai)Co.,Ltd No.63, Xingnan Road, Sanzao Town, Jinwan, Zhuhai, PRC	
LEGENDS: =FLAG NOTE CALL OUT REFERENCE ONLY		ENGINEER IN CHARGE	PACEY CHEN		MATING PIN FEMALE THREAD TYPE	
		DESIGN MANAGER	ROB WENG		SIZE	REV.
		DESIGN ACTIVITY GROUP	C&I		C	E
		THIRD ANGLE PROJECTION			CAGE CODE	DOCUMENT NO.
					77820	C10-737()-()
					SCALE: 5.0	SHEET 1 OF 2

DOCUMENT NO. C10-737()-() SHEET 1 OF 2 REV. E

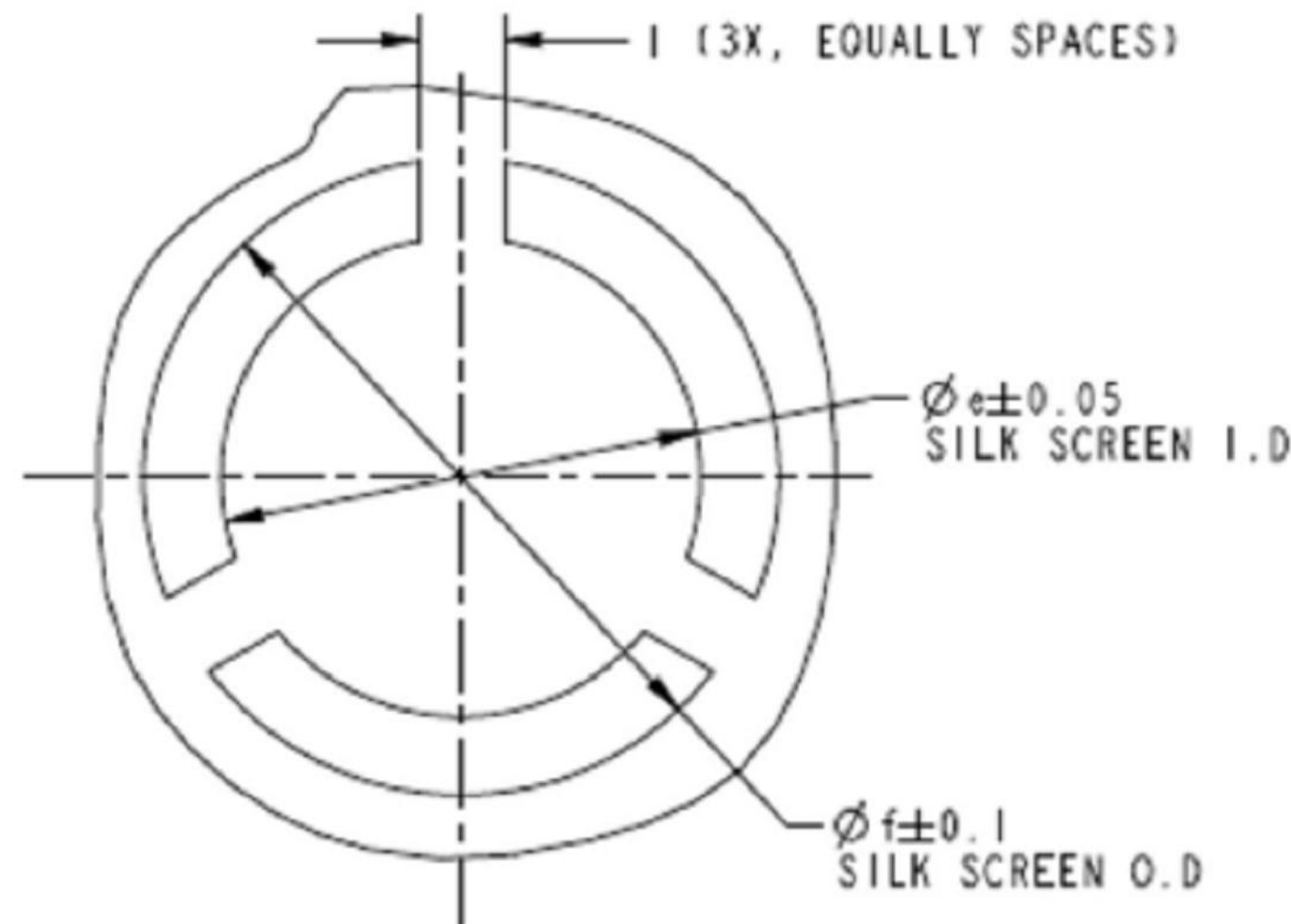
REV. E SHEET 1 OF 2 DOCUMENT NO. C10-737()-()

DOCUMENT NO. C10-737()-()
 SHEET 2 OF 2
 REV. E

Radsert P/N	N (Quantity of Vias)	a (Via dia)	b (P. T. H)	c (Outer Pad)	d (Via P. C. D)	e (Silk sreen I. D)	f (Silk sreen O. D)
C10-737395-XXX	8	0.76	5.05	10.5	9.3	5.15	8
C10-737396-XXX	8	0.76	5.05	10.5	9.3	5.15	8
C10-737397-XXX	8	0.76	5.05	10.7	9.5	5.35	8.2
C10-737398-XXX	13	0.76	5.05	12	10.8	6.65	9.5
C10-737399-XXX	13	0.76	5.05	12	10.8	6.65	9.5
C10-737400-XXX	15	0.76	6.05	14	12.8	8.65	11.5



RECOMMENDED PCB LAYOUT
(VIAS ARE EQUALLY SPACES)



RECOMMENDED STENCIL LAYOUT

NOTES:

THIS DOCUMENT CONTAINS PROPRIETARY INFORMATION AND SUCH INFORMATION MAY NOT BE DISCLOSED TO OTHERS FOR ANY PURPOSE OR USED FOR MANUFACTURING PURPOSES WITHOUT WRITTEN PERMISSION FROM THE AMPHENOL CORP.

SIZE C	CAGE CODE 77820	DOCUMENT NO. C10-737()-()	REV. E
SCALE: 9.0	REF: N/A	SHEET 2 OF 2	

REV. E
 SHEET 2 OF 2
 DOCUMENT NO. C10-737()-()