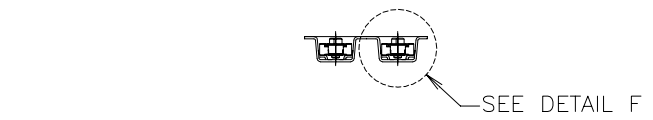
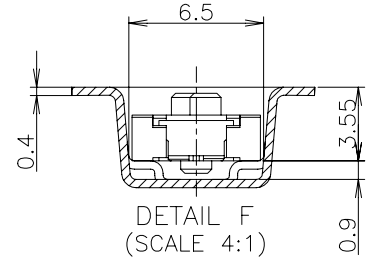
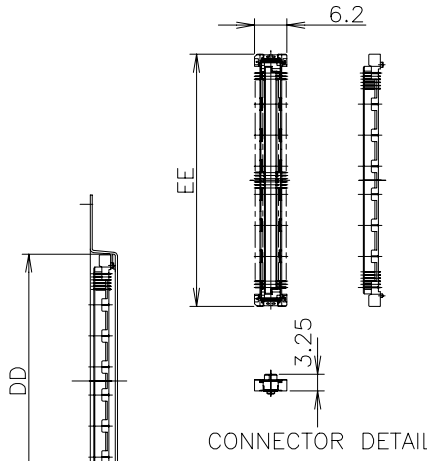
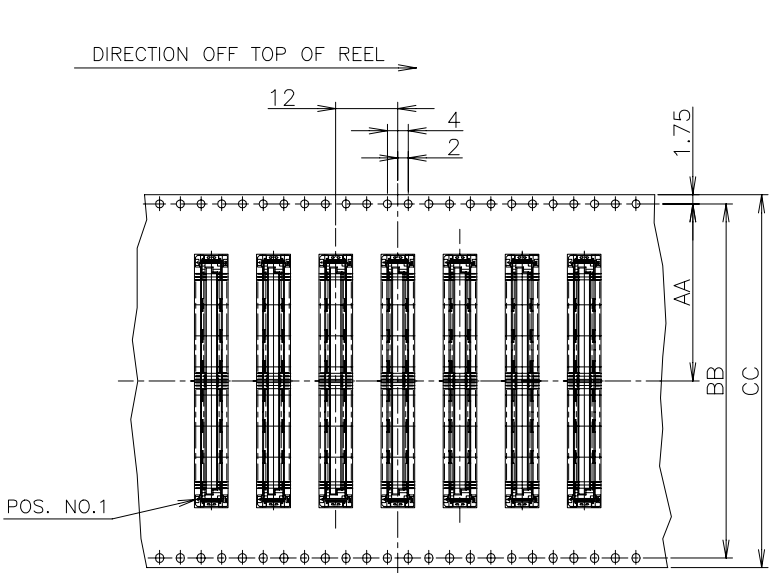
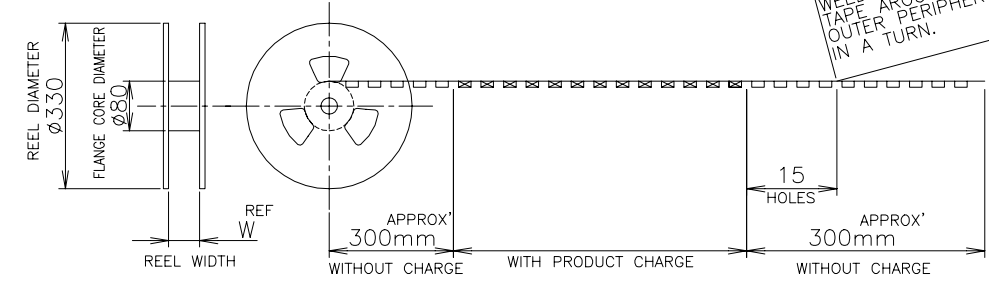


REVISIONS				
变更				
P	LTR	DESCRIPTION	DATE	DWN APVD
	F	ECO-20-017853: G-CONTACT TAIL GOLD FLASH	18DEC2020	A.L H.L



WEEDING THE COVER TAPE AROUND THE OUTER PERIPHERY IN A TURN.



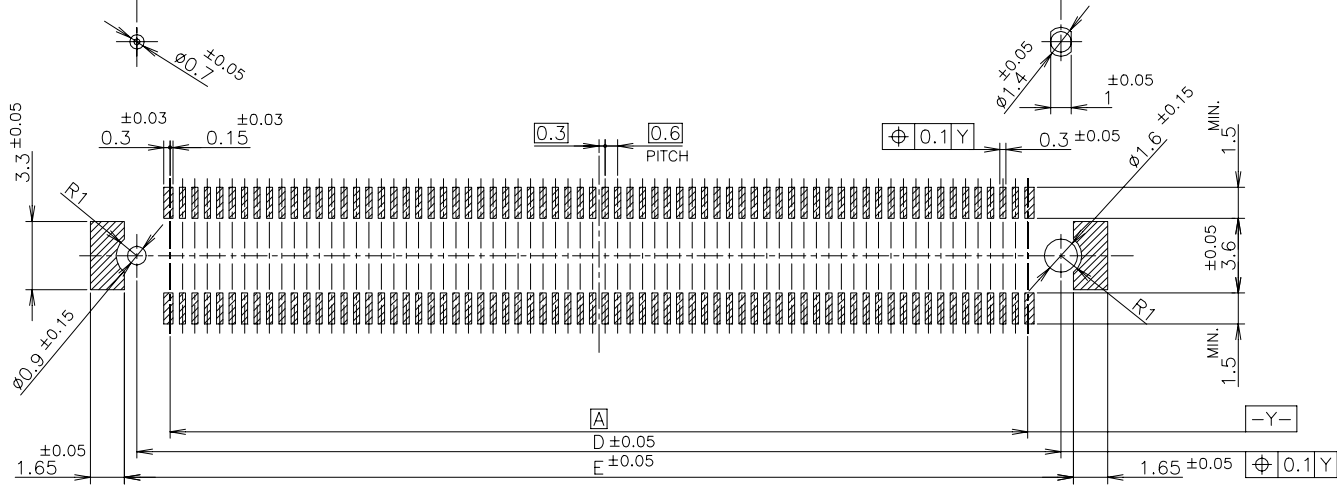
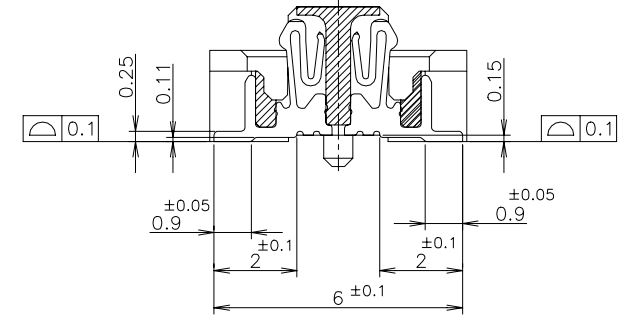
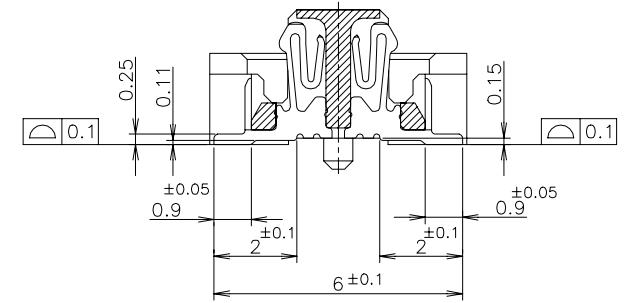
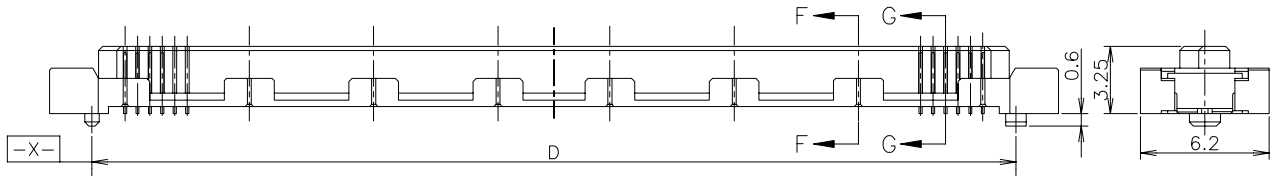
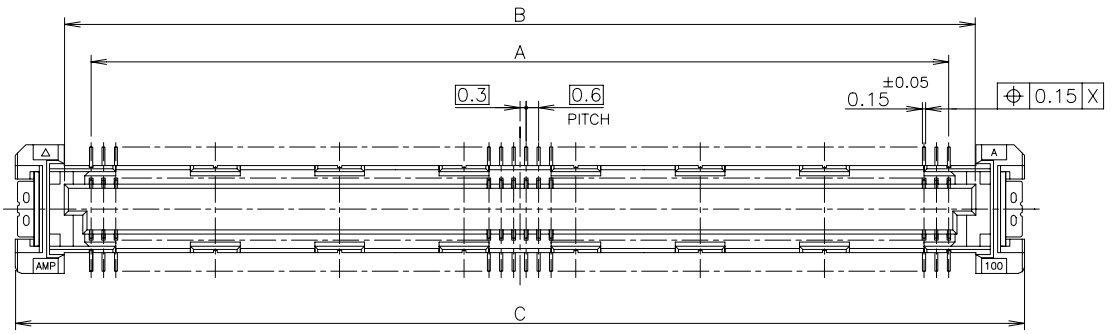
SEALANT	TOOLING STATUS	QTY.	FINISH	W	EE	DD	CC	BB	AA	POS.	PART NO.
NOT AVAILABLE		1000	△	77.5	54.7	55	72	68.4	34.2	160	6-5353190-1
AVAILABLE				77.5	48.7	49	72	68.4	34.2	140	6- -0
NOT AVAILABLE				61.5	42.7	43	56	52.4	26.2	120	5- -9
AVAILABLE				61.5	36.7	37	56	52.4	26.2	100	5- -8
NOT AVAILABLE				61.5	33.7	34	56	52.4	26.2	90	5- -7
NOT AVAILABLE				49.5	30.7	31	44	40.4	20.2	80	5- -6
NOT AVAILABLE				49.5	27.7	28	44	40.4	20.2	70	5- -5
NOT AVAILABLE				49.5	24.7	25	44	40.4	20.2	60	5- -4
NOT AVAILABLE				37.5	21.7	22	32	28.4	14.2	50	5- -3
NOT AVAILABLE				37.5	18.7	19	32	28.4	14.2	40	5- -2
NOT AVAILABLE		1000	△	29.5	15.7	16	24	11.5	30	5-5353190-1	
AVAILABLE		1000	△	77.5	48.7	49	72	68.4	34.2	140	4-5353190-0
AVAILABLE				61.5	36.7	37	56	52.4	26.2	100	3- -8
NOT AVAILABLE			△	77.5	54.7	55	72	68.4	34.2	160	1- -1
AVAILABLE				77.5	48.7	49	72	68.4	34.2	140	1- -0
NOT AVAILABLE				61.5	42.7	43	56	52.4	26.2	120	-9
AVAILABLE				61.5	36.7	37	56	52.4	26.2	100	-8
NOT AVAILABLE				61.5	33.7	34	56	52.4	26.2	90	-7
NOT AVAILABLE				49.5	30.7	31	44	40.4	20.2	80	-6
NOT AVAILABLE				49.5	27.7	28	44	40.4	20.2	70	-5
NOT AVAILABLE				49.5	24.7	25	44	40.4	20.2	60	-4
NOT AVAILABLE				37.5	21.7	22	32	28.4	14.2	50	-3
NOT AVAILABLE				37.5	18.7	19	32	28.4	14.2	40	-2
NOT AVAILABLE		1000	△	29.5	15.7	16	24	11.5	30	5353190-1	

THIS DRAWING IS A CONTROLLED DOCUMENT.

DIMENSIONS: 單位: 耗 mm	TOLERANCES UNLESS OTHERWISE SPECIFIED: 一般公差
0 PLC ± 0.2	1 PLC ± 0.2
2 PLC ± 0.2	3 PLC ± 0.2
4 PLC ± 0.2	ANGLES ± 5°
MATERIAL 材料	FINISH 仕上

DWN LEO ZHOU 16NOV04	TE Connectivity Ltd.
CHK STEVEN YAO 16NOV04	
APVD I.ENOMOTO 16NOV04	NAME 名称
PRODUCT SPEC 製品規格 108-60047	EMBOSS ASSY FH 0.6BTB CONNECTOR REC 4H WITH G-CONTACT
APPLICATION SPEC 取付適用規格 114-5255	SIZE A3
WEIGHT	CAGE CODE 00779
CUSTOMER DRAWING	DRAWING NO C=5353190
	RESTRICTED TO
	SCALE 尺度 1:1
	SHEET 1 OF 3
	REV F

REVISIONS					
変更					
P	LTR	DESCRIPTION	DATE	DWN	APVD
-	-	SEE SHEET 1	-	-	-



45.8	44.6	48.7	44	41.4	140	4-5353190-0
33.8	32.6	36.7	32	29.4	100	3- -8
51.8	50.6	54.7	50	47.4	160	1- -1 & 6-5353190-1
45.8	44.6	48.7	44	41.4	140	1- -0 & 6- -0
39.8	38.6	42.7	38	35.4	120	-9 & 5- -9
33.8	32.6	36.7	32	29.4	100	-8 & 5- -8
30.8	29.6	33.7	29	26.4	90	-7 & 5- -7
27.8	26.6	30.7	26	23.4	80	-6 & 5- -6
24.8	23.6	27.7	23	20.4	70	-5 & 5- -5
21.8	20.6	24.7	20	17.4	60	-4 & 5- -4
18.8	17.6	21.7	17	14.4	50	-3 & 5- -3
15.8	14.6	18.7	14	11.4	40	-2 & 5- -2
12.8	11.6	15.7	11	8.4	30	5353190-1 & 5-5353190-1
E	D	C	B	A	POS	△PART NO.

REFERENCE P.C.BOARD LAYOUT

THIS DRAWING IS A CONTROLLED DOCUMENT.

DWN
CHK
APVD

TE Connectivity Ltd.

EMBOSS ASSY
FH 0.6BTB CONNECTOR
REC 4H WITH G-CONTACT

NAME 名称
SIZE
CAGE CODE
DRAWING NO
番号
RESTRICTED TO

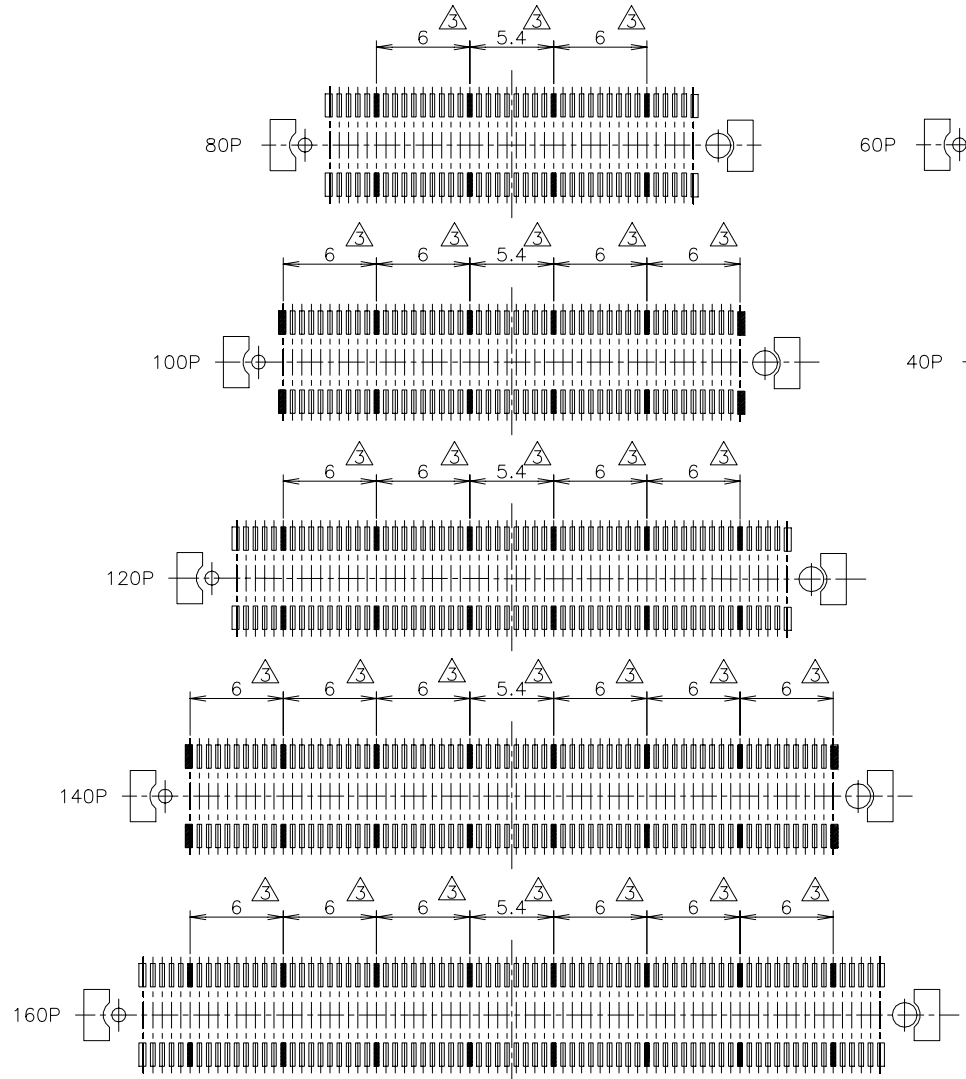
A3 00779 G=5353190

CUSTOMER DRAWING
SCALE 尺度 4:1
SHEET 2 OF 3
REV F

DIMENSIONS: 单位: 耗 mm
TOLERANCES UNLESS OTHERWISE SPECIFIED: 一般公差
0 PLC ± 0.3
1 PLC ± 0.3
2 PLC ± 0.3
3 PLC ± 0.3
4 PLC ± 0.3
ANGLES ± 3°
FINISH 仕上

PRODUCT SPEC 製品规格
APPLICATION SPEC 取付適用规格
WEIGHT

REVISIONS					
変更					
P	LTR	DESCRIPTION	DATE	DWN	APVD
-	-	SEE SHEET 1	-	-	-



- △ MATERIAL : HOUSING : HIGH TEMP THERMO PLASTIC, UL94V-0
CONTACT : COPPER ALLOY
- △ FINISH : UNDER PL Ni 0.0013mm MIN ALL OVER.
CONTACT AREA 0.0002mm MIN Au PL.
SOLDERING AREA: SIGNAL POS 0.00005mm MIN Au PL.
ⓕ GROUND POS 0.00005mm MIN Au PL.
- Ⓧ THIS POSITION IS GROUND CIRCUIT.
- Ⓛ PACKING ASSY DWG SEE SHEET 1.
- Ⓜ THIS PRODUCT WAS COATED BY FLUX-PENETRATION
-INHIBITING AGENT.
- Ⓨ FINISH : UNDER PL Ni 0.0013mm MIN ALL OVER.
CONTACT AREA 0.00076mm MIN Au PL.
SOLDERING AREA: SIGNAL POS 0.00005mm MIN Au PL.
ⓕ GROUND POS 0.00005mm MIN Au PL.

THIS DRAWING IS A CONTROLLED DOCUMENT.		DWN	TE Connectivity Ltd.
		CHK	
DIMENSIONS: 單位: 耗 mm	TOLERANCES UNLESS OTHERWISE SPECIFIED: 一般公差	APVD	NAME 名称
	0 PLC ± 0.3	PRODUCT SPEC 製品規格	EMBOSS ASSY FH 0.6BTB CONNECTOR REC 4H WITH G-CONTACT
	1 PLC ± 0.3	APPLICATION SPEC 取付適用規格	
MATERIAL 材料	FINISH 仕上	WEIGHT	SIZE CAGE CODE DRAWING NO A3 00779 G=5353190
		CUSTOMER DRAWING	RESTRICTED TO
		SCALE 尺度 3:1	SHEET 3 OF 3
			REV F