

NOTES:

1. COMPATIBLE WITH MOLEX PT 90325, 90814, 90816.
2. USE WITH CABLES 28AWG STD. 26AWG STD. AND 26AWG (69 STRANDS) SUPERFLEX.
3. TERMINATION SPECIFICATION: ES-99033-0001.
4. PRODUCT SPECIFICATION: PS-99020-0011
5. PACKAGING SPEC: PK-90327-001

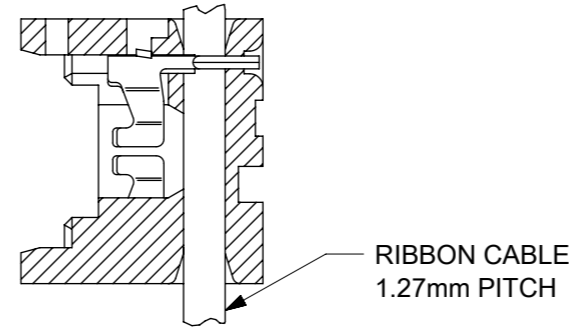
HOUSING:

MATL: POLYESTER RATED AT UL 94 V-0,
COLOUR WHITE.

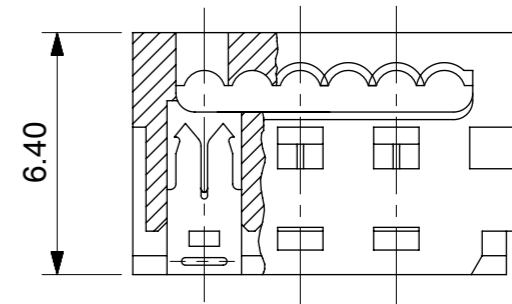
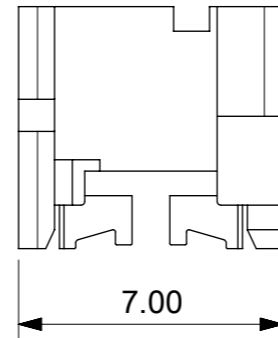
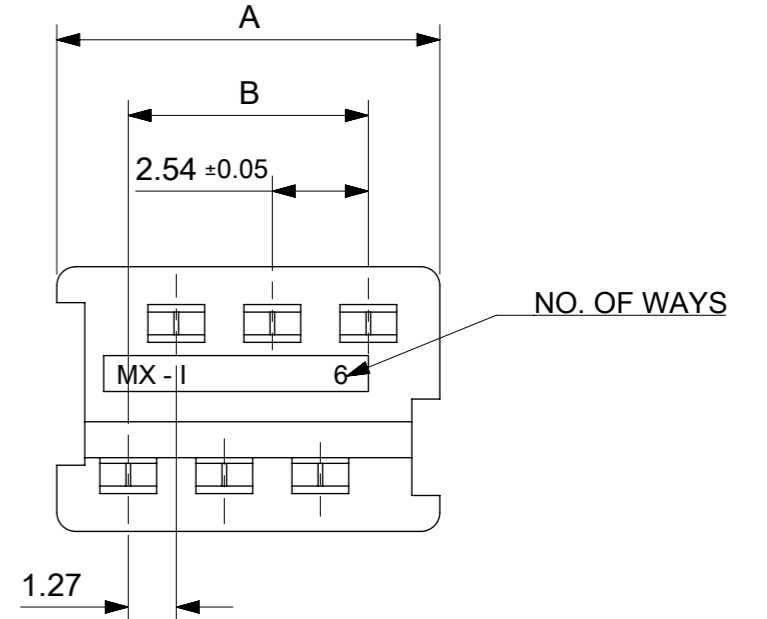
IDT CONTACT

MATL. PHOS BRONZE 0.17 THK HV 180-200
PLATING. TIN: 2-4µm PURE TIN
PLATING. UNDERPLATED 1.27µm MIN NICKEL
3-5µm SELECTIVE TIN & 0.76µm MIN. SELECTIVE GOLD

90327 - * 3 * *
0 = 2µm PRE TIN ASSY
3 = 0.76µm GOLD ASSY
SEE CONTACT PLATING NOTE
04 TO 26 = CCT SIZE, 51 TO 98 = ASSY ON REELS, SEE CHART
COLOUR WHITE



**SECTION SHOWING
ASSY AFTER TERMINATION
SEE NOTE 3**



90327-*326	26	35.53	31.75
-*324	24	32.99	29.21
-*322	22	30.45	26.67
-*320	20	27.91	24.13
-*318	18	25.37	21.59
-*316	16	22.83	19.05
-*314	14	20.29	16.51
-*312	12	17.75	13.97
-*310	10	15.21	11.43
-*308	8	12.67	8.89
-*306	6	10.13	6.35
9327-*304	4	7.59	3.81
PART NO.	CCT SIZE	DIMENSION A	DIMENSION B

FUNCTIONAL SYMBOLS	THIS DRAWING CONTAINS INFORMATION THAT IS PROPRIETARY TO MOLEX ELECTRONIC TECHNOLOGIES, LLC AND SHOULD NOT BE USED WITHOUT WRITTEN PERMISSION	CURRENT REV DESC: CAD MIGRATION		molex	
	GENERAL TOLERANCES (UNLESS SPECIFIED)	EC NO: 738955			
FUNCTIONAL SYMBOLS	ANGULAR TOL ± 2°	4 PLACES ±	DRWN: GOWTHP	2023/02/02	PRODUCT CUSTOMER DRAWING
DIVISIONAL SYMBOLS	3 PLACES ±	2 PLACES ± 0.10	CHK'D: GOWTHP	2023/02/16	
DIVISIONAL SYMBOLS	2 PLACES ± 0.10	1 PLACE ± 0.2	APPR: ISHWARG	2023/02/20	DOCUMENT NUMBER
DIVISIONAL SYMBOLS	1 PLACE ± 0.2	0 PLACES ±	INITIAL REVISION:	DRWN: NPC	1987/07/28
DIVISIONAL SYMBOLS	0 PLACES ±	DRAFT WHERE APPLICABLE MUST REMAIN WITHIN DIMENSIONS	APPR: JDENNDHY	2004/09/16	SDA-90327
THIRD ANGLE PROJECTION	DRAWING	SERIES	MATERIAL NUMBER	CUSTOMER	DOC TYPE
THIRD ANGLE PROJECTION	A3-SIZE	90327	SEE CHART	GENERAL MARKET	PSD
SHEET NUMBER	1 OF 2		REVISION		
SHEET NUMBER	1 OF 2		AK1		

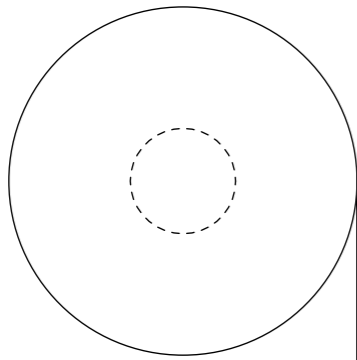
REELING OPTION A



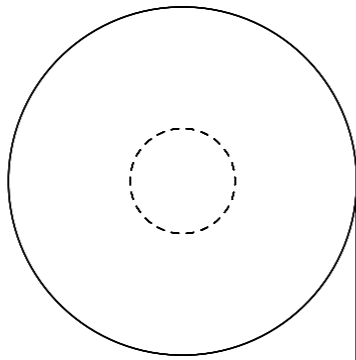
REELING OPTION B



REELING OPTION C



REELING OPTION D



NARROW POLARISING SLOT

WIDE POLARISING SLOT

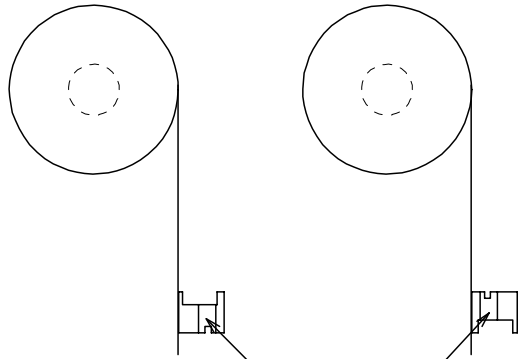
REEL ASSY NO.	PART NO.	CCT SIZE	REELING OPTION	REEL ASSY NO.	PART NO.	CCT SIZE	REELING OPTION
90327-*351	90327-*304	4	A	90327-*375	90327-*316	16	A
*352			B	*376			B
*353			C	*377			C
90327-*354			D	90327-*378			D
90327-*355	90327-*306	6	A	90327-*379	90327-*318	18	A
*356			B	*380			B
*357			C	*381			C
90327-*358			D	90327-*382			D
90327-*359	90327-*308	8	A	90327-*383	90327-*320	20	A
*360			B	*384			B
*361			C	*385			C
90327-*362			D	90327-*386			D
90327-*363	90327-*310	10	A	90327-*387	90327-*326	26	A
*364			B	*388			B
*365			C	*389			C
90327-*366			D	90327-*390			D
90327-*367	90327-*312	12	A	90327-*391	90327-*322	22	A
*368			B	*392			B
*369			C	*393			C
90327-*370			D	90327-*394			D
90327-*371	90327-*314	14	A	90327-*395	90327-*324	24	A
*372			B	*396			B
*373			C	*397			C
90327-*374			D	90327-*398			D

FUNCTIONAL SYMBOLS	THIS DRAWING CONTAINS INFORMATION THAT IS PROPRIETARY TO MOLEX ELECTRONIC TECHNOLOGIES, LLC AND SHOULD NOT BE USED WITHOUT WRITTEN PERMISSION		CURRENT REV DESC: CAD MIGRATION		molex	
	▽A = 0	mm				
▽E = 0	GENERAL TOLERANCES (UNLESS SPECIFIED)		EC NO: 738955		IDT ASSEMBLY PICO FLEX	
▽V = 0	ANGULAR TOL ± 2.0°		DRWN: GOWTHP		2023/02/02	
DIVISIONAL SYMBOLS	4 PLACES ±		CHK'D: GOWTHP		2023/02/16	
	3 PLACES ±		APPR: ISHWARG		2023/02/20	
	2 PLACES ± 0.10		INITIAL REVISION:		DOCUMENT NUMBER	
	1 PLACE ± 0.2		DRWN: PAD		SDA-90327	
	0 PLACES ±		APPR: JDENNEHY		PSD 001 AK1	
DRAFT WHERE APPLICABLE MUST REMAIN WITHIN DIMENSIONS		THIRD ANGLE PROJECTION	DRAWING	SERIES	MATERIAL NUMBER	CUSTOMER
			A3-SIZE	90327	SEE CHART	GENERAL MARKET
						SHEET NUMBER
						2 OF 2

10 9 8 7 6 5 4 3 2 1

REELING OPTION A

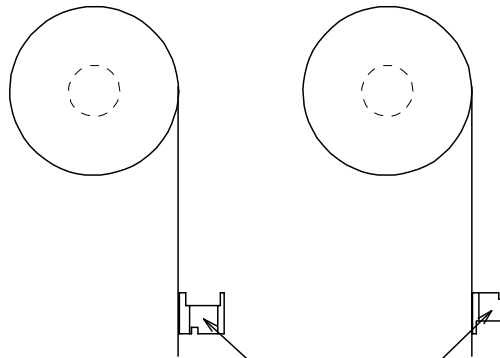
REELING OPTION B



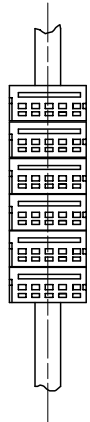
NARROW POLARISING SLOT

REELING OPTION C

REELING OPTION D



WIDE POLARISING SLOT



REEL ASSY NO.	PART NO.	CCT SIZE	REELING OPTION
90327- *351	90327- *304	4	A
↑ *352	↑	↑	B
↓ *353	↓	↓	C
90327- *354	90327- *304	4	D
90327- *355	90327- *306	6	A
↑ *356	↑	↑	B
↓ *357	↓	↓	C
90327- *358	90327- *306	6	D
90327- *359	90327- *308	8	A
↑ *360	↑	↑	B
↓ *361	↓	↓	C
90327- *362	90327- *308	8	D
90327- *363	90327- *310	10	A
↑ *364	↑	↑	B
↓ *365	↓	↓	C
90327- *366	90327- *310	10	D
90327- *367	90327- *312	12	A
↑ *368	↑	↑	B
↓ *369	↓	↓	C
90327- *370	90327- *312	12	D
90327- *371	90327- *314	14	A
↑ *372	↑	↑	B
↓ *373	↓	↓	C
90327- *374	90327- *314	14	D

REEL ASSY NO.	PART NO.	CCT SIZE	REELING OPTION
90327- *375	90327- *316	16	A
↑ *376	↑	↑	B
↓ *377	↓	↓	C
90327- *378	90327- *316	16	D
90327- *379	90327- *318	18	A
↑ *380	↑	↑	B
↓ *381	↓	↓	C
90327- *382	90327- *318	18	D
90327- *383	90327- *320	20	A
↑ *384	↑	↑	B
↓ *385	↓	↓	C
90327- *386	90327- *320	20	D
90327- *387	90327- *326	26	A
↑ *388	↑	↑	B
↓ *389	↓	↓	C
90327- *390	90327- *326	26	D
90327- *391	90327- *322	22	A
↑ *392	↑	↑	B
↓ *393	↓	↓	C
90327- *394	90327- *322	22	D
90327- *395	90327- *324	24	A
↑ *396	↑	↑	B
↓ *397	↓	↓	C
90327- *398	90327- *324	24	D

REVISION UPDATE	DESCRIPTION
EC NO: E2007-0940	
DRWN:DMASZKI,EWI,CZ 2007/06/07	
CHKD:DMORJARTY 2007/06/11	
APPR: JDENNEHY 2007/06/14	
AE	REV

QUALITY SYMBOLS	DESCRIPTION
▽=0	
▽C=0	

GENERAL TOLERANCES (UNLESS SPECIFIED)	DIMENSION STYLE
	MM/IN
4 PLACES ± --- ± ---	DRAWN BY DATE
3 PLACES ± --- ± ---	PAD 1991/02/27
2 PLACES ± --- ± ---	CHECKED BY DATE
1 PLACE ± --- ± ---	DMORJARTY 2004/09/15
ANGULAR ± 2 °	APPROVED BY DATE
	JDENNEHY 2004/09/16
DRAFT WHERE APPLICABLE MUST REMAIN WITHIN DIMENSIONS	MATERIAL NO.
	SEE CHART

SCALE	DESIGN UNITS	THIRD ANGLE PROJECTION
NTS	METRIC	
IDT ASSEMBLY PICOFLEX		
MOLEX MOLEX INCORPORATED		
DOCUMENT NO.	SHEET NO.	
SDA-90327	2 OF 2	

THIS DRAWING CONTAINS INFORMATION THAT IS PROPRIETARY TO MOLEX INCORPORATED AND SHOULD NOT BE USED WITHOUT WRITTEN PERMISSION		
---	--	--

9 8 7 6 5 4 3 2 1