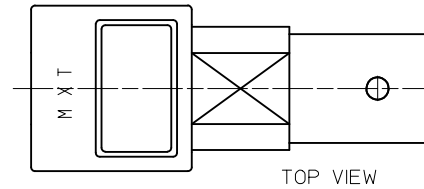


CONSTRUCTION:  
 BODY-----ZINC ALLOY  
 CENTER CONTACT---PHOSPHOR BRONZE  
 INSULATOR-----TEFLON  
 SOLDER TAIL-----COPPER OVER STEEL  
 BOARD LOCK-----PHOSPHOR BRONZE

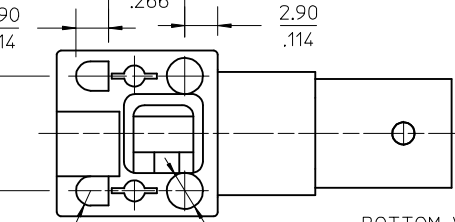
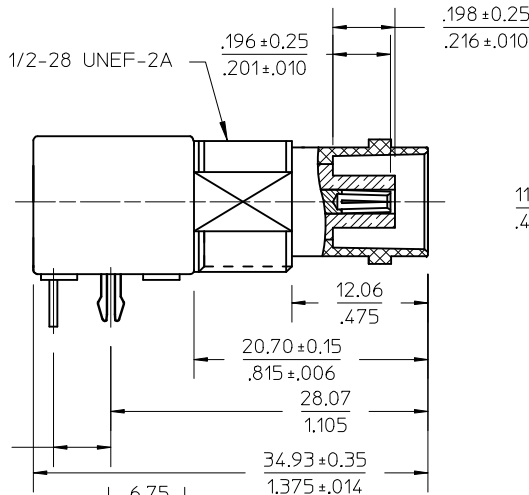
FINISH:  
 BODY-----NICKEL PLATING (70 MICROINCHES)  
 CENTER CONTACT---GOLD PLATING (10 MICROINCHES)  
 SOLDER TAIL-----TIN PLATING (150 MICROINCHES)  
 BOARD LOCK-----TIN PLATING (200 MICROINCHES)

MECHANICAL & ELECTRICAL CHARACTERISTICS:  
 PER PRODUCT SPECIFICATION PS-73598-0051

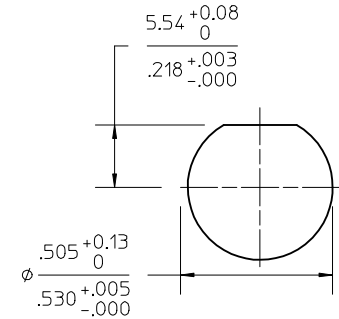
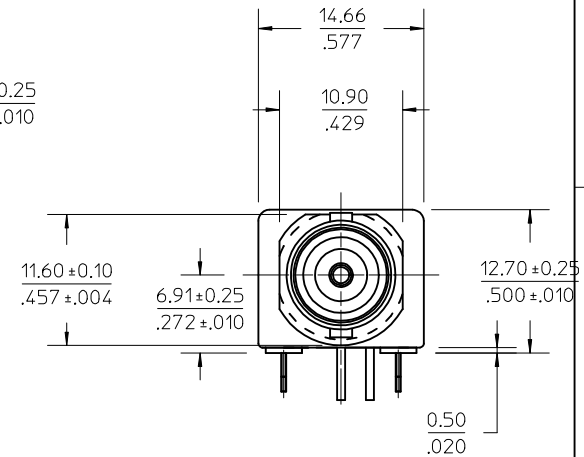
PACKAGING:  
 TRAY



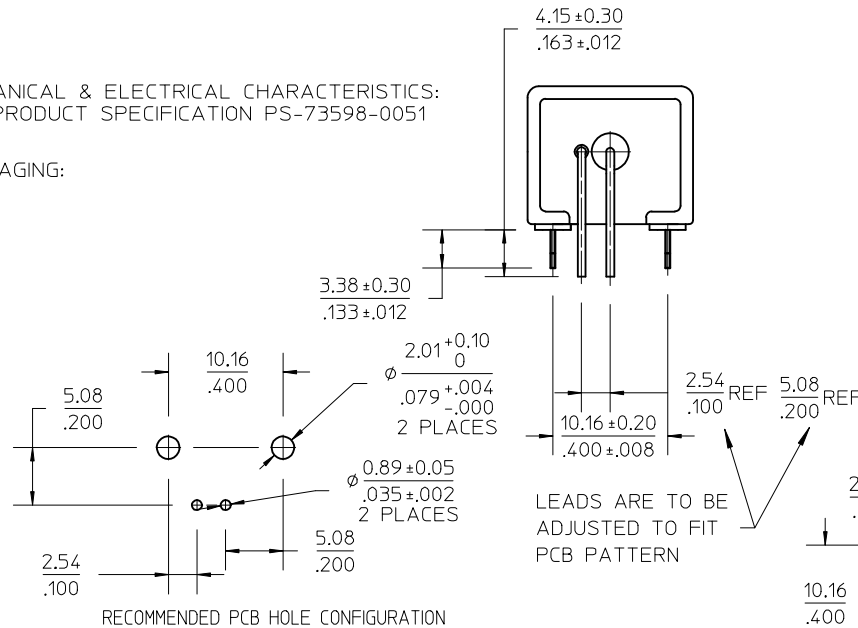
TOP VIEW



BOTTOM VIEW



RECOMMENDED MOUNTING HOLE  
 RECOMMENDED MOUNTING TORQUE : 12.0 IN-LBS MAX.  
 PANEL THICKNESS : .216(5.4 mm) MAX.



PART # 73171-2360

CHG: RELEASE.	EC NO: URF2005-0060	2004/09/10
	DRWN: AROBERTS	2004/09/10
	CHKD: SSHAH	2004/09/10
	APPR: JWIENER	2004/09/10
REV	DESCRIPTION	
A		

QUALITY SYMBOLS	▽=0
	∇=0

GENERAL TOLERANCES (UNLESS SPECIFIED)	mm	INCH	
	4 PLACES	± ---	± ---
	3 PLACES	± ---	± ---
	2 PLACES	± ---	± ---
	1 PLACE	± ---	± ---
ANGULAR ± 2 °			
DRAFT WHERE APPLICABLE MUST REMAIN WITHIN DIMENSIONS			

DIMENSION STYLE		SCALE	DESIGN UNITS	THIRD ANGLE PROJECTION
MM/IN		---	METRIC	
DRAWN BY	DATE	TITLE		
AZR	2004/04/30	BNC R/A PCB JACK 50 OHM DIE CAST, EWR-2439 BNC-J/PCB		
CHECKED BY	DATE	MOLEX INCORPORATED		
SSS	2004/04/30	MOLEX INCORPORATED		
APPROVED BY	DATE	DOCUMENT NO.		
JDW	2004/04/30	SD-73171-236		
MATERIAL NO.	731712360	SHEET NO.		
SIZE	A	1 OF 1		

THIS DRAWING CONTAINS INFORMATION THAT IS PROPRIETARY TO MOLEX INCORPORATED AND SHOULD NOT BE USED WITHOUT WRITTEN PERMISSION