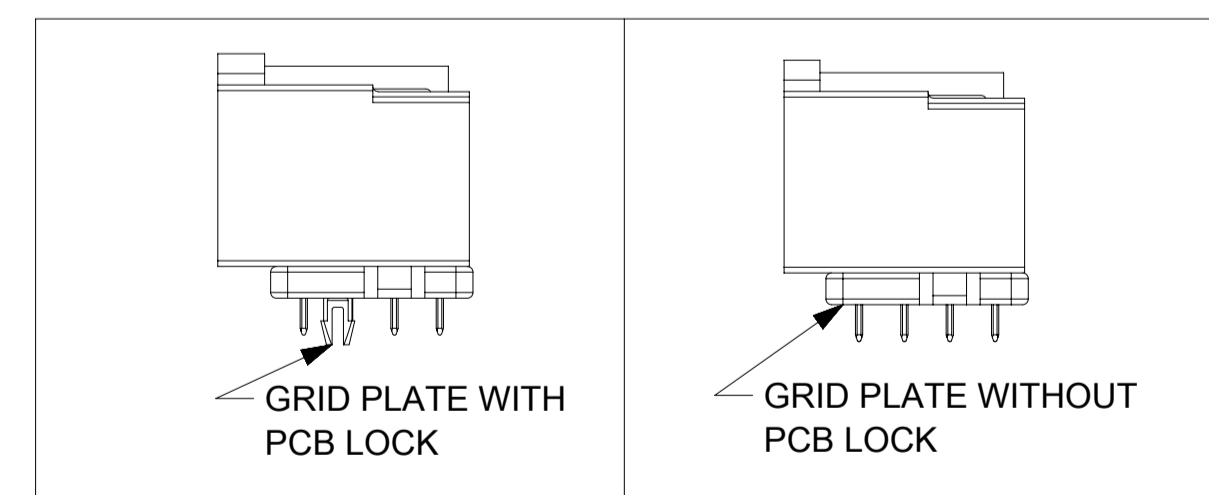
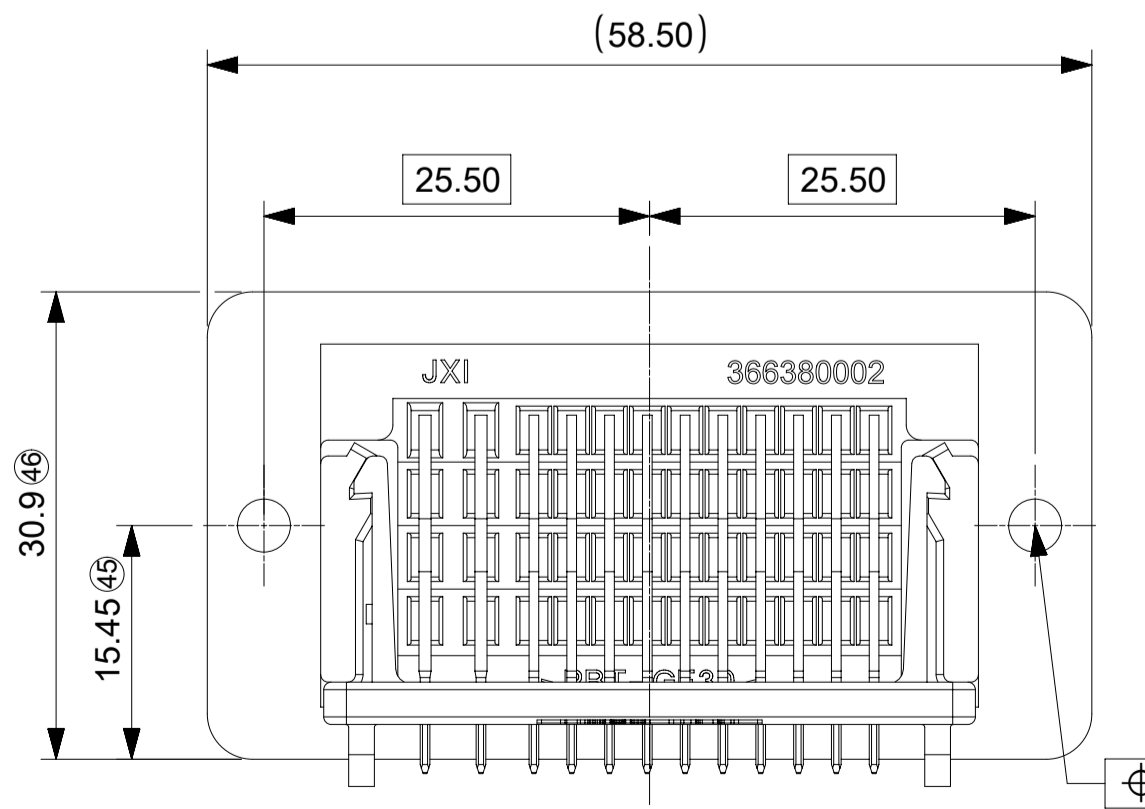
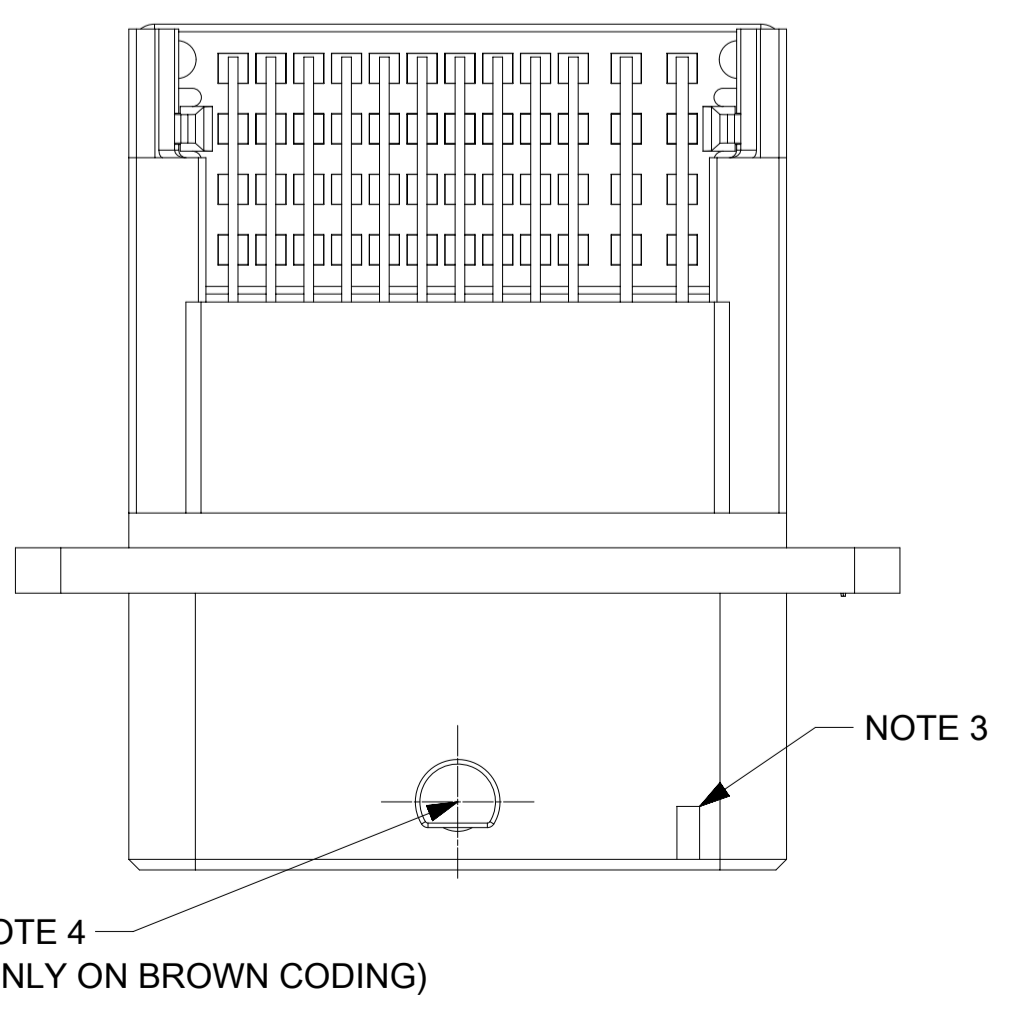
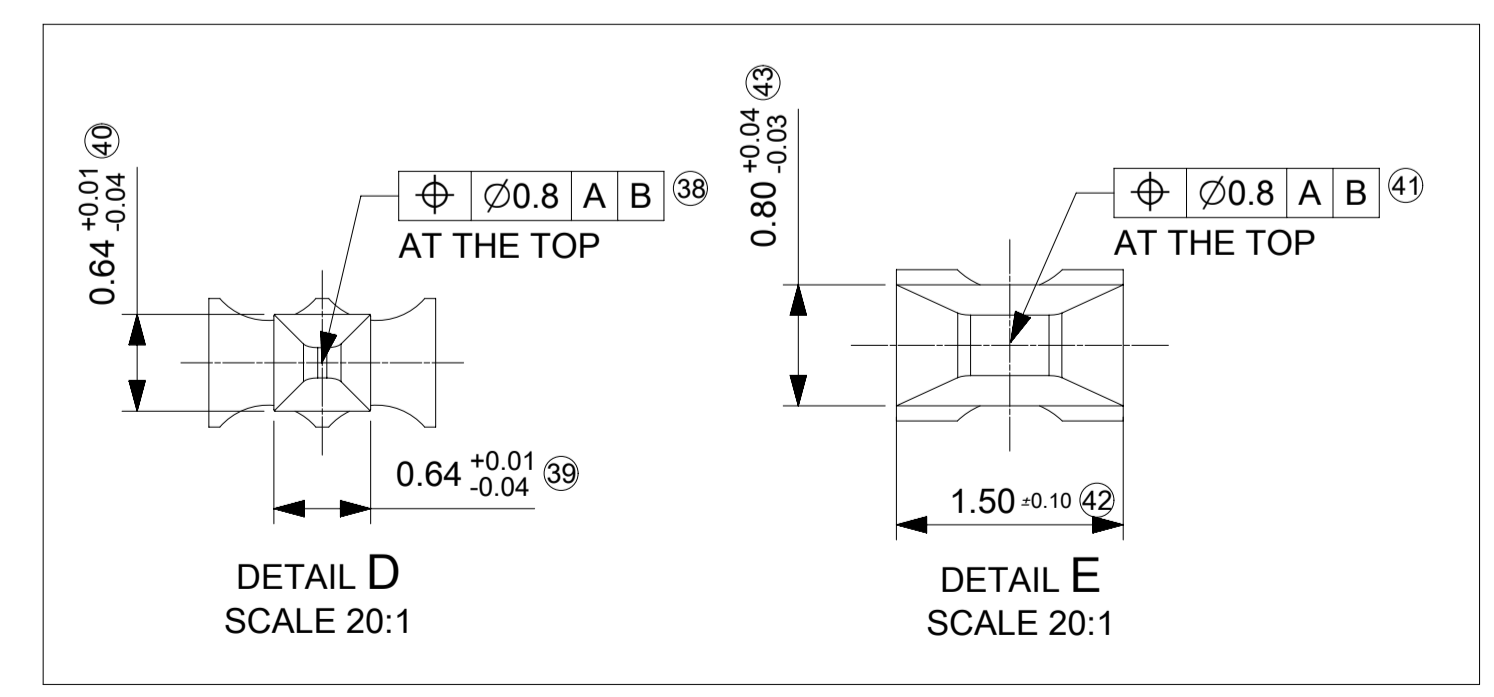
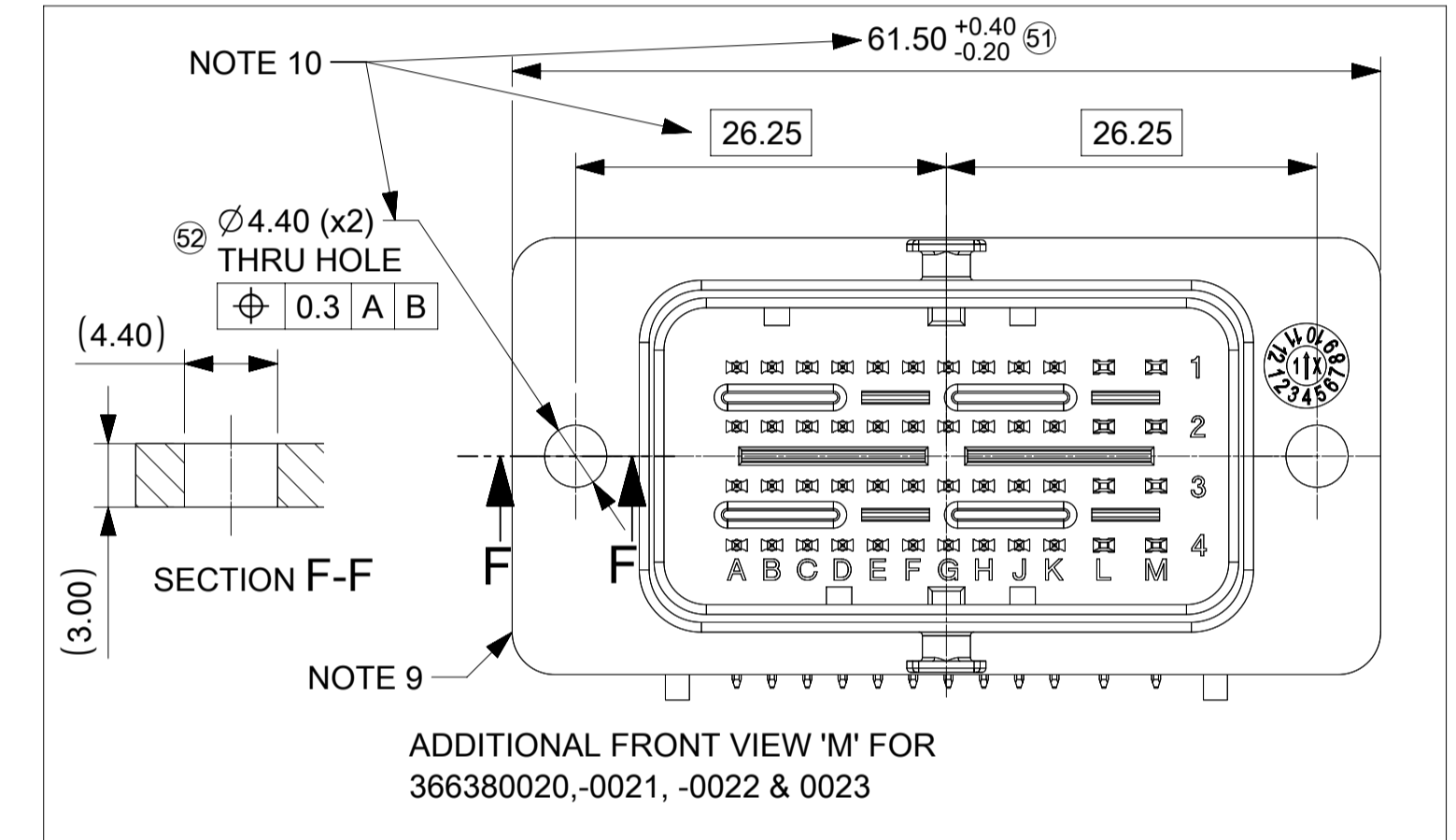
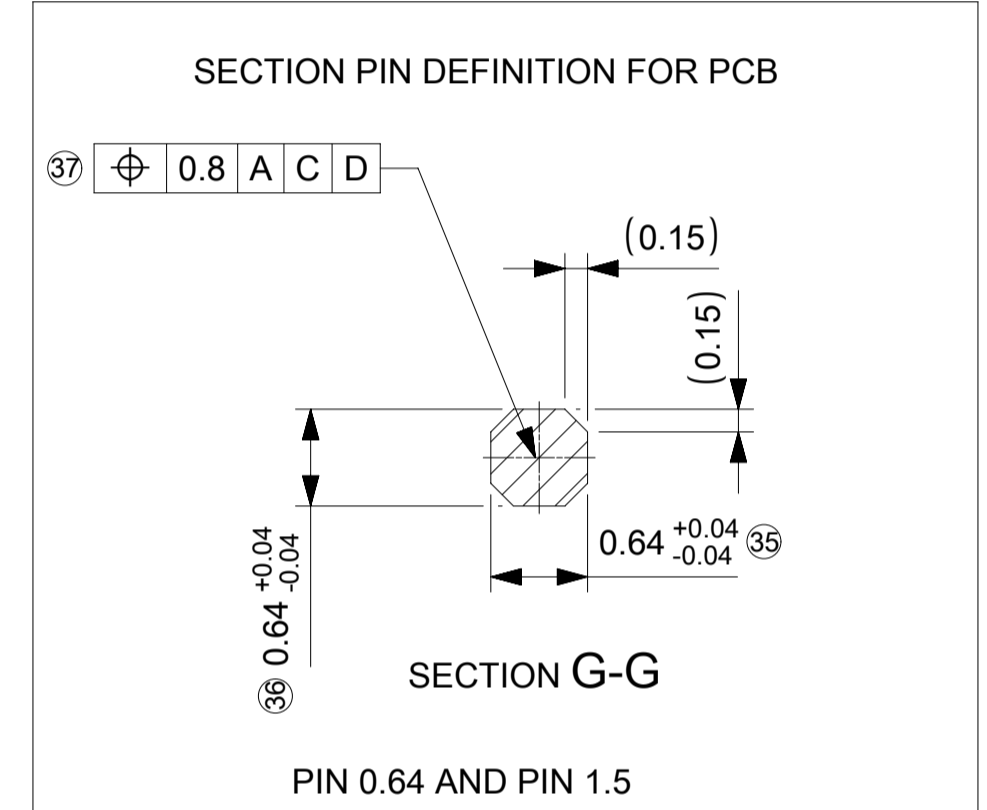
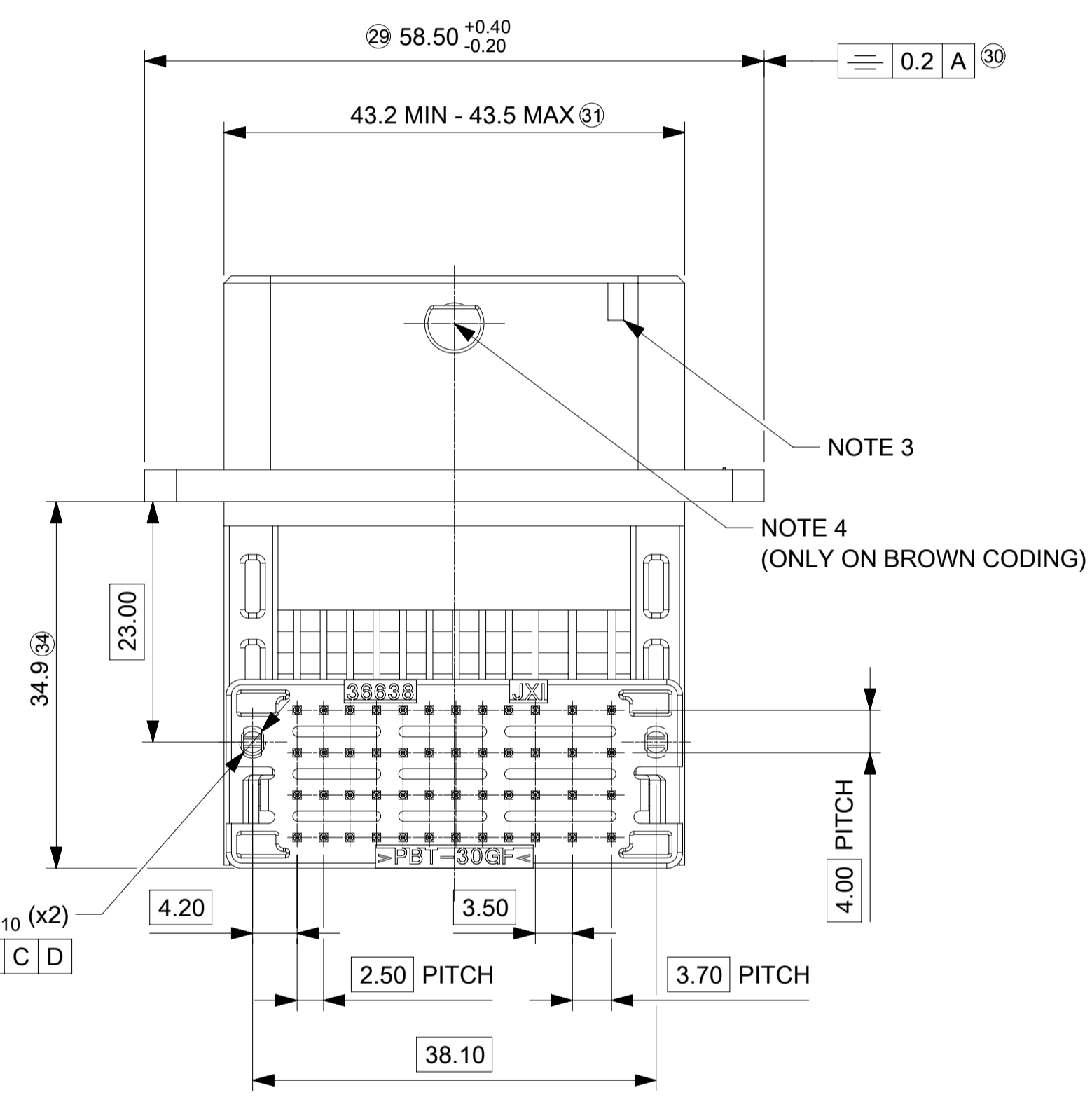
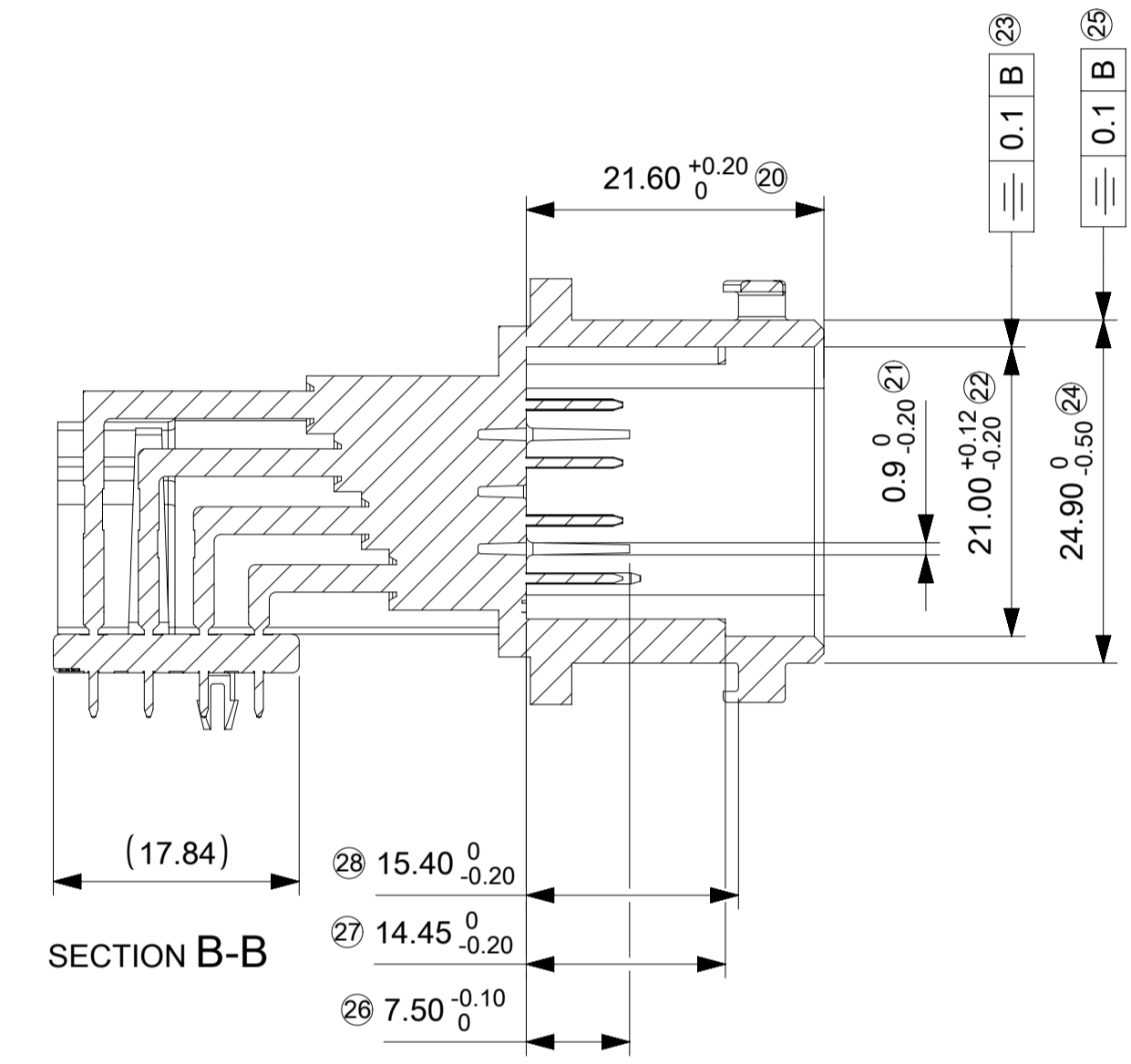


CODING:

DIM	BLACK	BROWN
A	12.90	8.50
B	6.30	10.70
C	8.50	12.90
D	6.30	12.90

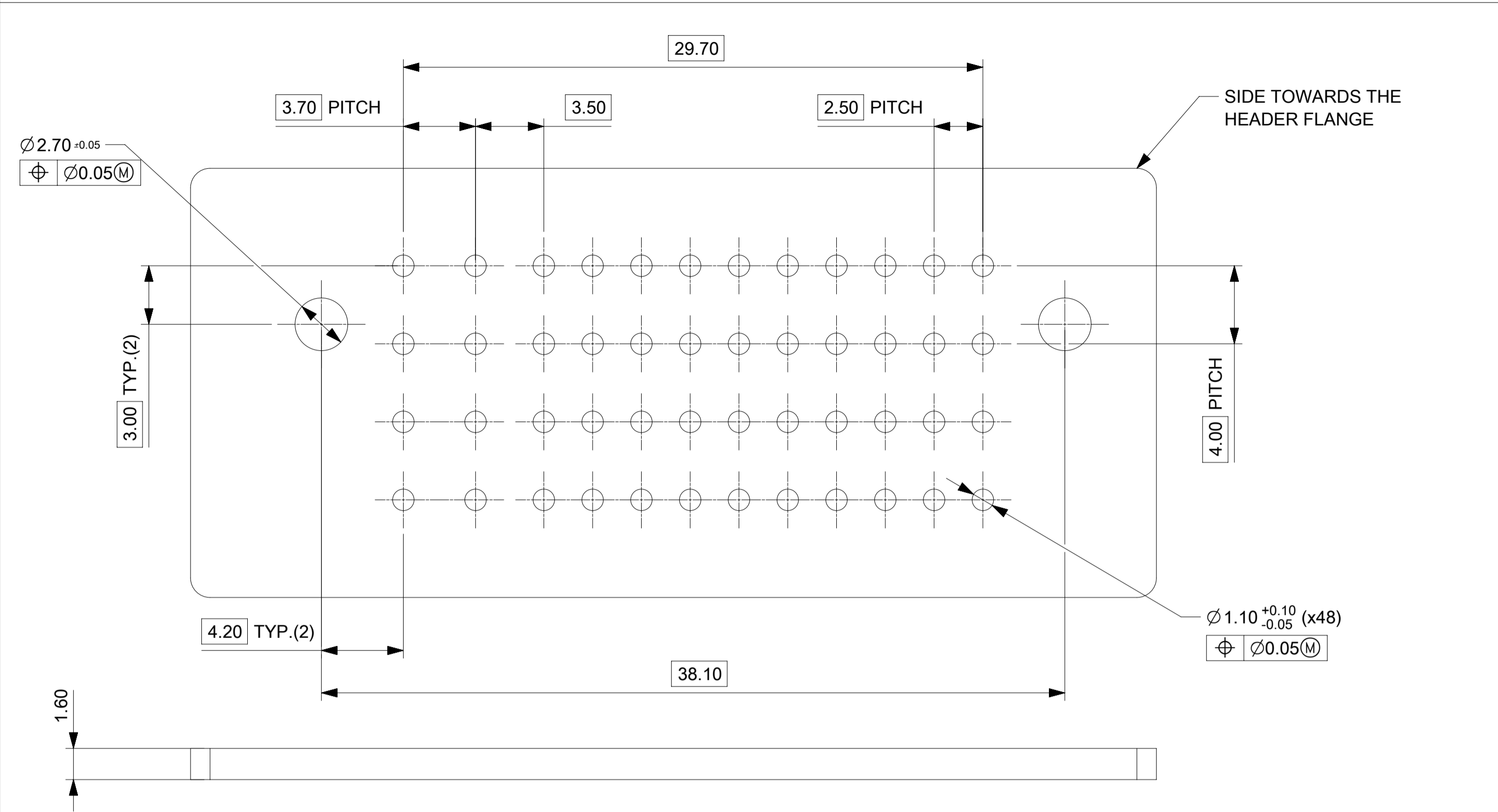


THIS DRAWING CONTAINS INFORMATION THAT IS PROPRIETARY TO MOLEX ELECTRONIC TECHNOLOGIES, LLC AND SHOULD NOT BE USED WITHOUT WRITTEN PERMISSION

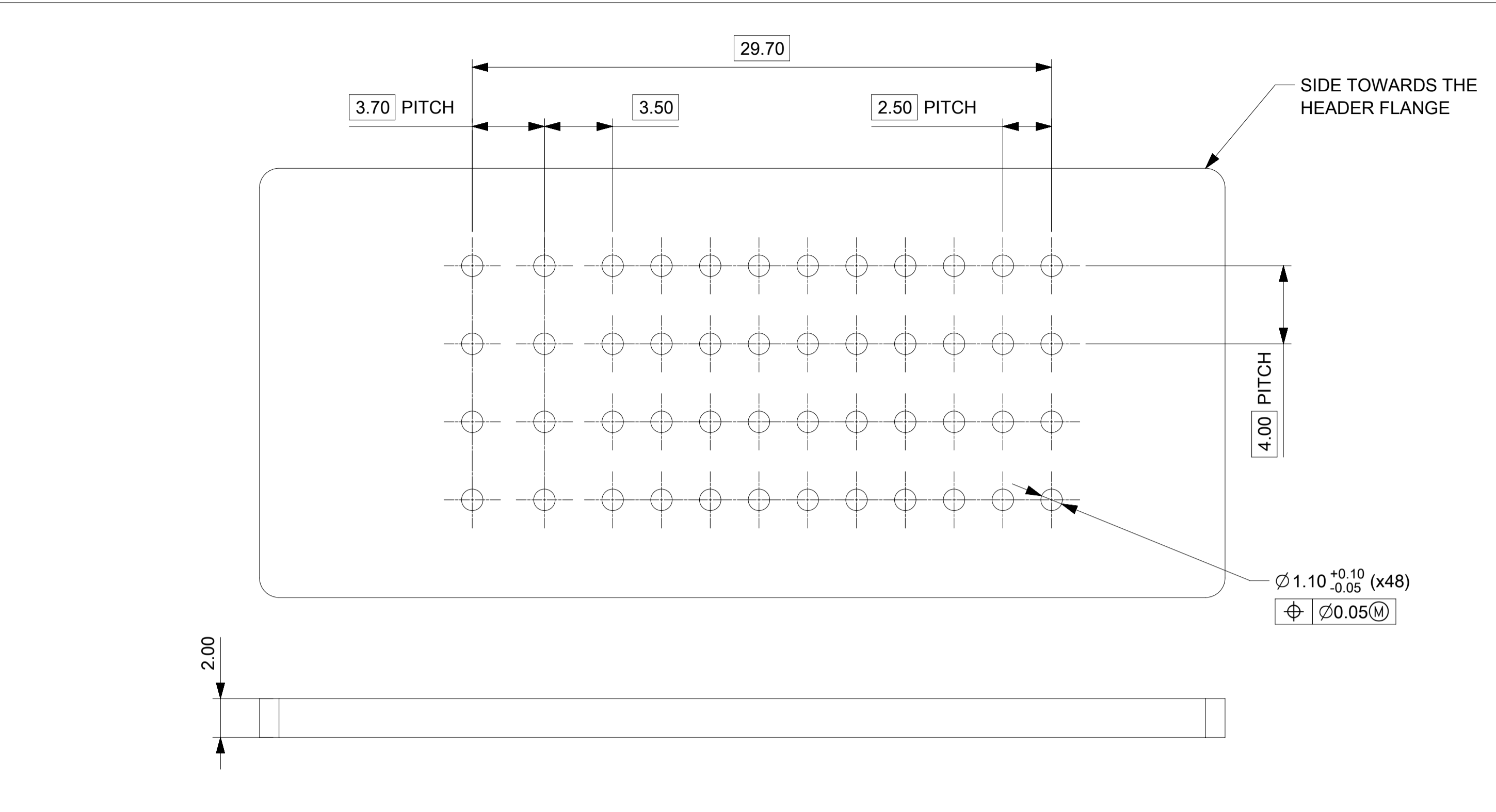
DIMENSION UNITS	SCALE	CURRENT REV DESC: OBSOLETE PART NUMBER		
mm	2:1			
GENERAL TOLERANCES (UNLESS SPECIFIED)				
ANGULAR TOL	± 1.0°			
4 PLACES	±	EC NO: 650260		
3 PLACES	±	DRWN: AKUMAR19	2020/11/27	
2 PLACES	± 0.1	CHK'D: GGA	2020/12/09	
1 PLACE	± 0.2	APPR: GGA	2020/12/09	
0 PLACES	±	INITIAL REVISION:		
		DRWN: SSVARNA	2018/12/20	
		APPR: SLAFAURE	2019/01/08	
DRAFT WHERE APPLICABLE MUST REMAIN WITHIN DIMENSIONS		THIRD ANGLE PROJECTION	DRAWING	SERIES
			A1-SIZE	36638
		MATERIAL NUMBER		CUSTOMER
		SEE TABLE		GENERAL MARKET
		DOCUMENT NUMBER		DOC TYPE DOC PART REVISION
		366381000		PSD 000 B
		PRODUCT CUSTOMER DRAWING		SHEET NUMBER
				2 OF 4

RoHS COMPLIANT

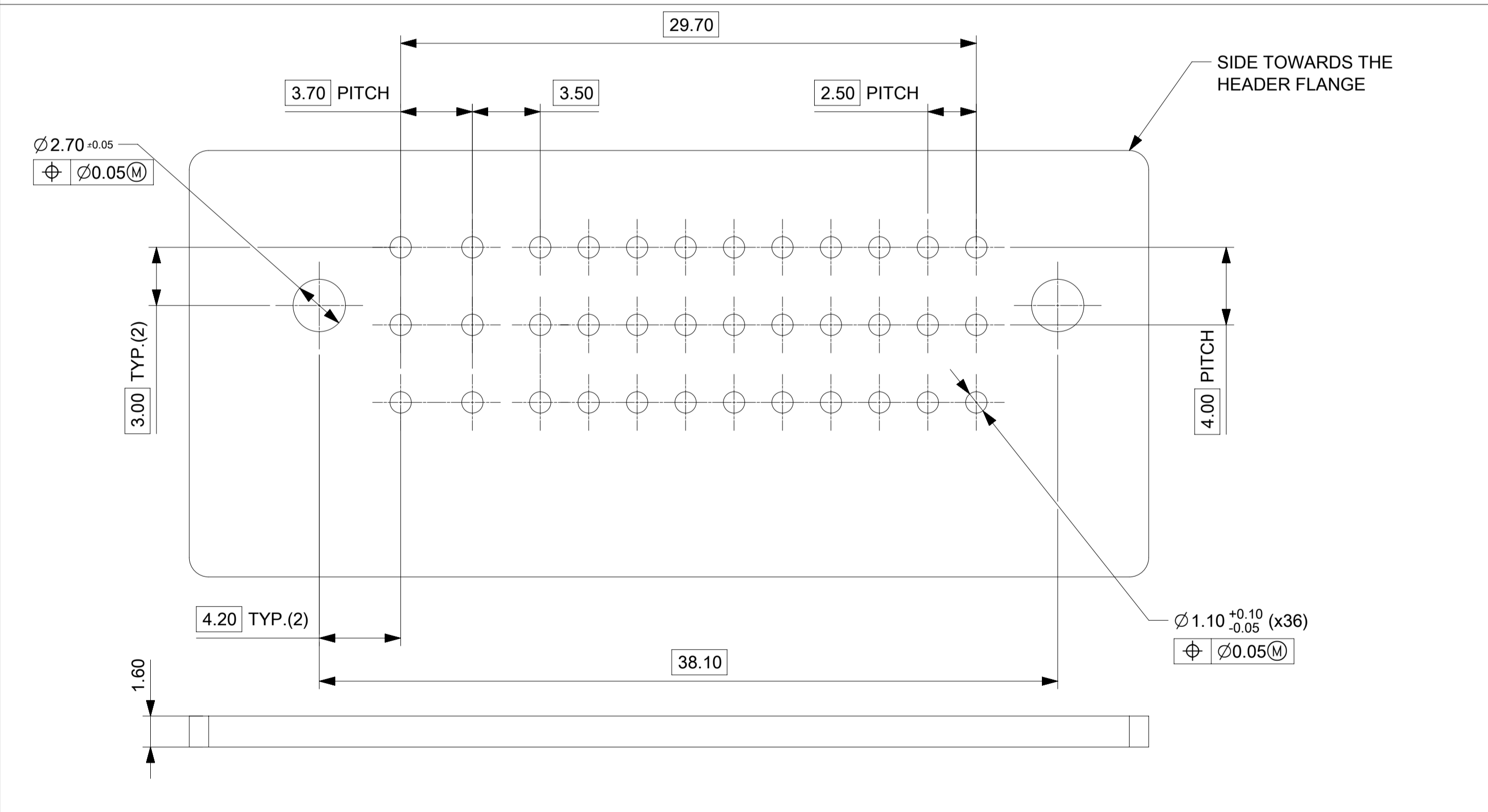
RECOMMENDED PCB PAYOUT



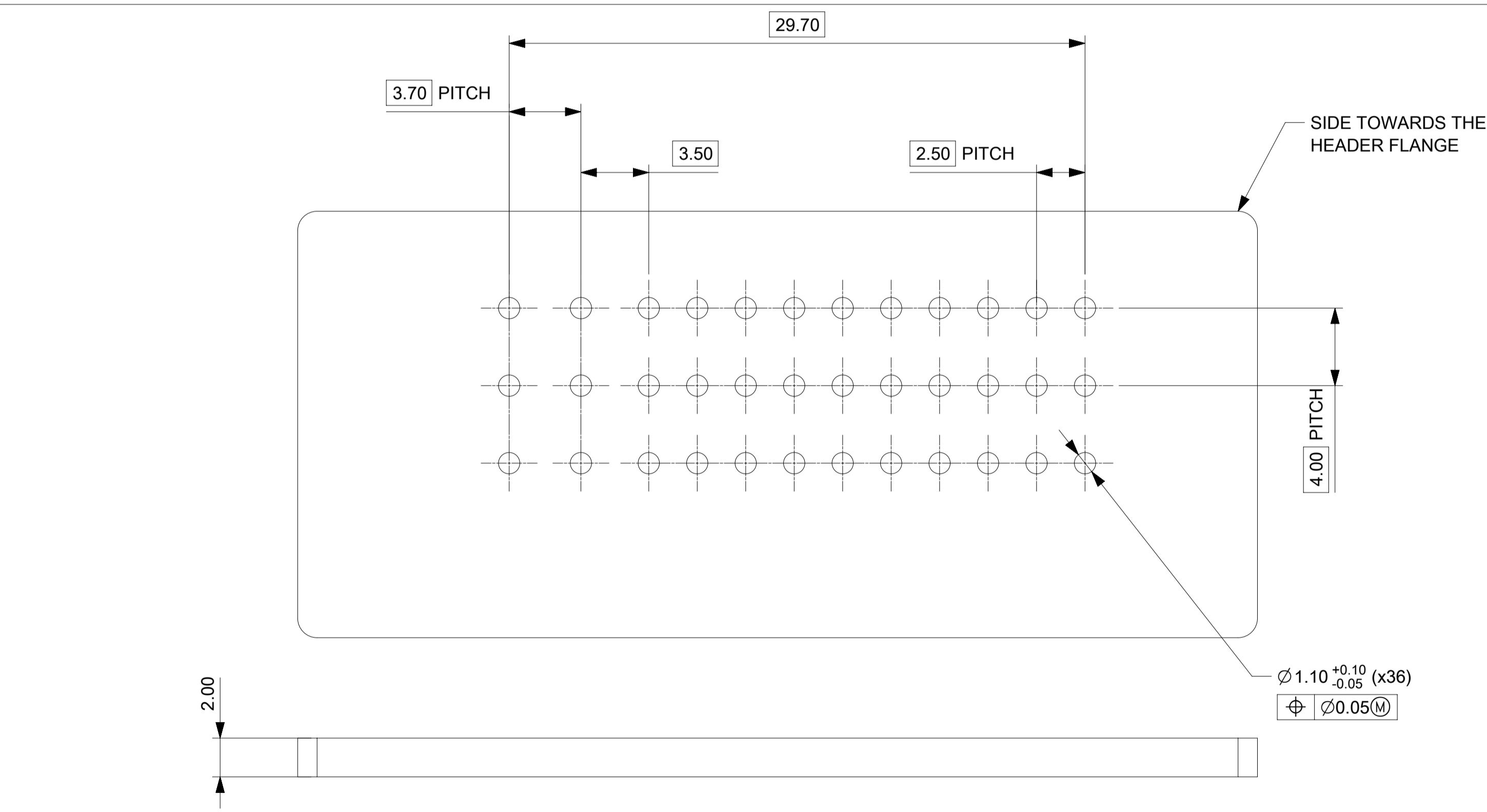
FOR PN 366380002, 366380003, 366380020, 366380021



FOR PN 366380004, 366380005, 366380022, 366380023



FOR PN 366380006, 366380007 AND 366380013



FOR PN 366380008, 366380009 AND 366380019

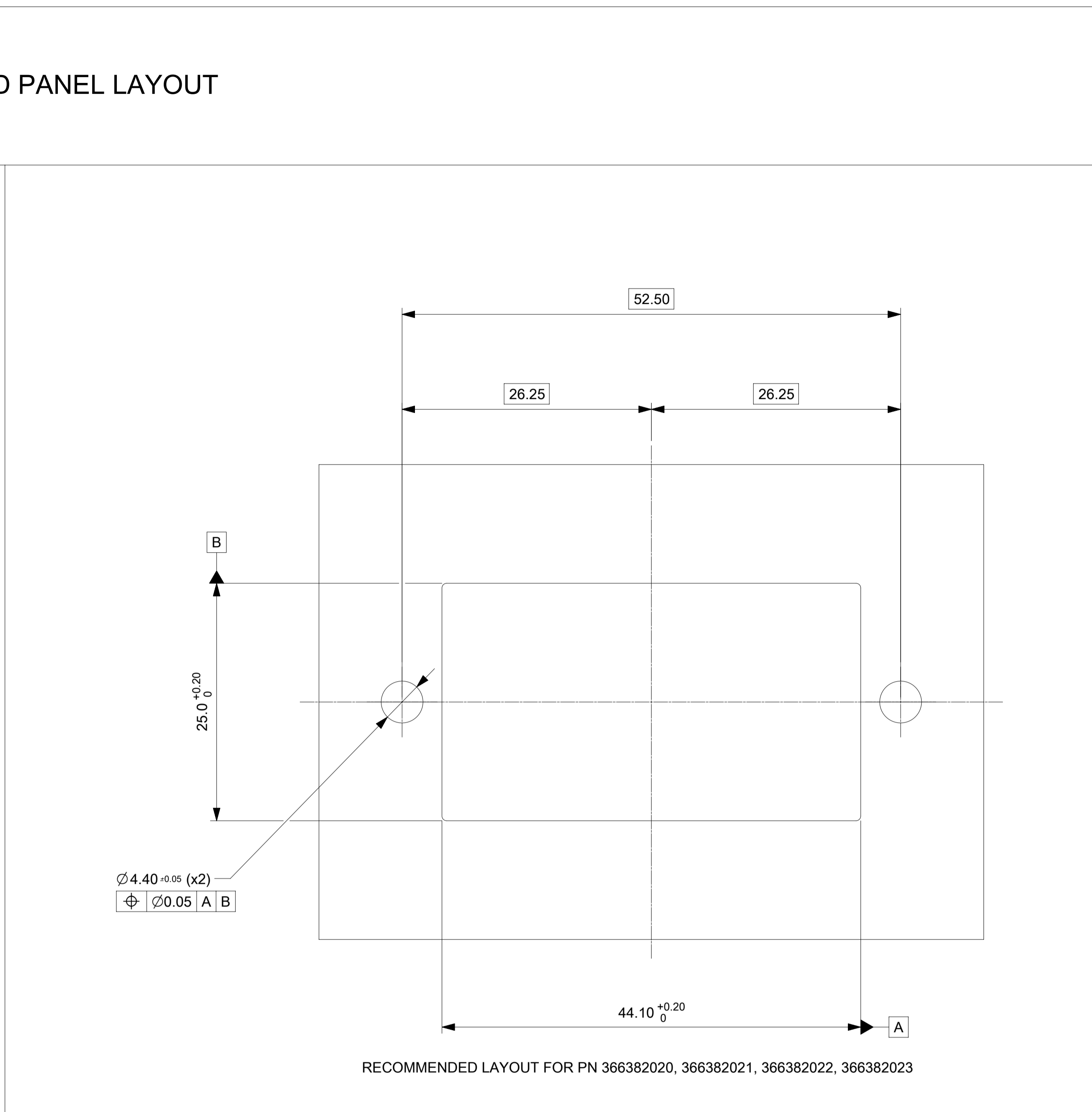
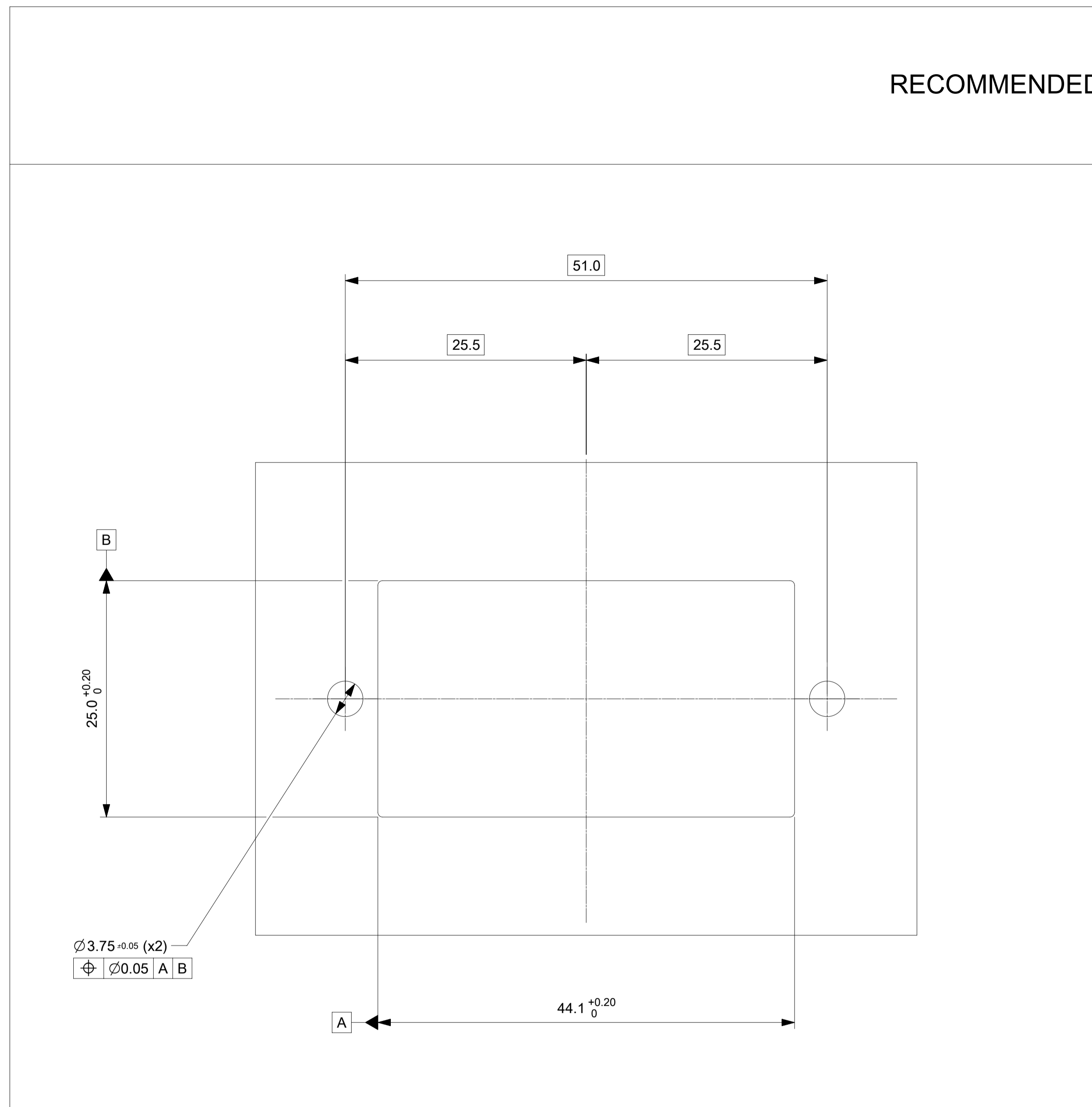
NOTES:

1. THE VIEW 'RECOMMENDED PCB LAYOUT' SHOWS THE SECTION OF THE HOLE POSITION CONCERNING THE HEADER-PIN, GUIDING AND LOCKING LAYOUT.
2. THIS VIEW OF THE HOLE PATTERN DOESN'T POINT TO THE ABSOLUTE POSITION ON THE PCB.
3. THE HOLE PATTERN IS THE COPY OF THE HEADER LAYOUT.
4. PLEASE COMBINE THE TWO ELEMENTS (HEADER AND VIEW OF THE HOLE PATTERN).

THIS DRAWING CONTAINS INFORMATION THAT IS PROPRIETARY TO MOLEX ELECTRONIC TECHNOLOGIES, LLC AND SHOULD NOT BE USED WITHOUT WRITTEN PERMISSION


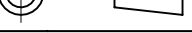
DIMENSION UNITS	SCALE	CURRENT REV DESC: OBSOLETE PART NUMBER				
mm	5:1					
GENERAL TOLERANCES (UNLESS SPECIFIED)		EC NO: 650260		48CKT RA S CMC HEADER		
ANGULAR TOL	± 1.0°	DRWN: AKUMAR19		2020/11/27		
4 PLACES	±	CHK'D: GGA		2020/12/09		
3 PLACES	±	APPR: GGA		2020/12/09		
2 PLACES	± 0.1	INITIAL REVISION:		PRODUCT CUSTOMER DRAWING		
1 PLACE	± 0.2	DRWN: SSUVARNA		DOCUMENT NUMBER		
0 PLACES	±	APPR: SLAFAURE		366381000		
DRAFT WHERE APPLICABLE MUST REMAIN WITHIN DIMENSIONS		THIRD ANGLE PROJECTION		DOC TYPE DOC PART REVISION		
		DRAWING		PSD 000 B		
		SERIES		MATERIAL NUMBER		
		A1-SIZE		CUSTOMER		
		36638		GENERAL MARKET		
				SHEET NUMBER		
				3 OF 4		

RECOMMENDED PANEL LAYOUT



RECOMMENDED LAYOUT FOR PN 366382020, 366382021, 366382022, 366382023

NOTES:
1. REQUIRED MATING SURFACE FINISH: Ra 3.0µm MAX OR POLISHED

THIS DRAWING CONTAINS INFORMATION THAT IS PROPRIETARY TO MOLEX ELECTRONIC TECHNOLOGIES, LLC AND SHOULD NOT BE USED WITHOUT WRITTEN PERMISSION												
DIMENSION UNITS mm		SCALE 1:1		CURRENT REV DESC: OBSOLETE PART NUMBER				 48CKT RA S CMC HEADER				
GENERAL TOLERANCES (UNLESS SPECIFIED)		ANGULAR TOL ± 1.0°		EC NO: 650260								
4 PLACES ±		3 PLACES ±		DRWN: AKUMAR19		2020/11/27		PRODUCT CUSTOMER DRAWING				
2 PLACES ± 0.1		1 PLACE ± 0.2		CHK'D: GGA		2020/12/09		DOCUMENT NUMBER				
0 PLACES ±		DRAFT WHERE APPLICABLE MUST REMAIN WITHIN DIMENSIONS		APPR: GGA		2020/12/09		366381000		PSD	000	B
THIRD ANGLE PROJECTION		DRAWING		SERIES		MATERIAL NUMBER		CUSTOMER		SHEET NUMBER		
		A1-SIZE		36638		SEE TABLE		GENERAL MARKET		4 OF 4		