

NOTES: VALID UNLESS OTHERWISE SPECIFIED

1. GENERAL:

- a. APPLICATION SPECIFICATION: AS-31386-200
- b. PRODUCT SPECIFICATION: PS-31387-200
- c. PACKAGING SPECIFICATION: PK-31301-916
- d. PARTS MUST BE IN COMPLIANCE TO MOLEX CHEMICAL SUBSTANCES FOR PRODUCTS AND PACKAGING SPECIFICATION: ES-40000-5016
- e. DATA MUST BE SUBMITTED UNDER THE MOLEX PART NUMBER TO IMDS (COMPANY ID#13255)
- f. DIMENSIONS AND TOLERANCES ARE VALID FOR AS SHIPPED SHROUD ASSEMBLY
- g. REFERENCE GM INTERFACE CONTROL DRAWINGS (ICD)
 - 1. 12582682 (Au)
 - 2. 12642695 (Ag)

2. DESIGN - MATERIALS:

- a. PLASTIC: PBT 30% GF - SEE CHART FOR COLOR
- b. SIGNAL PIN PLATING:
 - UNDERPLATE: NICKEL 1.27-2.54 μ m
 - SELECT GOLD OPTION: 0.76 μ m MIN.
 - SELECT SILVER OPTION: 1.90-3.30 μ m MIN
 - SOLDER TAIL SELECT TIN: 5.08-10.16 μ m BRIGHT FINISH

3. DESIGN - GEOMETRY:

- a. THIS IS A 100% CAD GENERATED PART. THE CAD MATHEMATICAL DATA IS THE MASTER FOR ALL NON-DIMENSIONAL FEATURES. DRAWING DIMENSIONS SHALL BE MET WHEN DIFFERENCES EXIST BETWEEN THE DRAWING AND THE CAD MODEL. UNDERLINED DIMENSIONS OR DIMENSIONS INDICATED AS "EDITED" MAY BE DIFFERENT FROM THE 3D MODEL GEOMETRY. FOR DIMENSIONAL OR ANY INFORMATION NOT SHOWN ON THIS DRAWING, ANALYZE THE CAD MODEL.
- b. PRODUCT DESIGN MODEL NUMBER(S): SEE BOM TABLE
- c. GEOMETRIC DIMENSIONS AND TOLERANCES PER ASME Y14.5M-1994
- d. GENERAL TOLERANCES - SEE TABLE

4. DESIGN - MANUFACTURING:

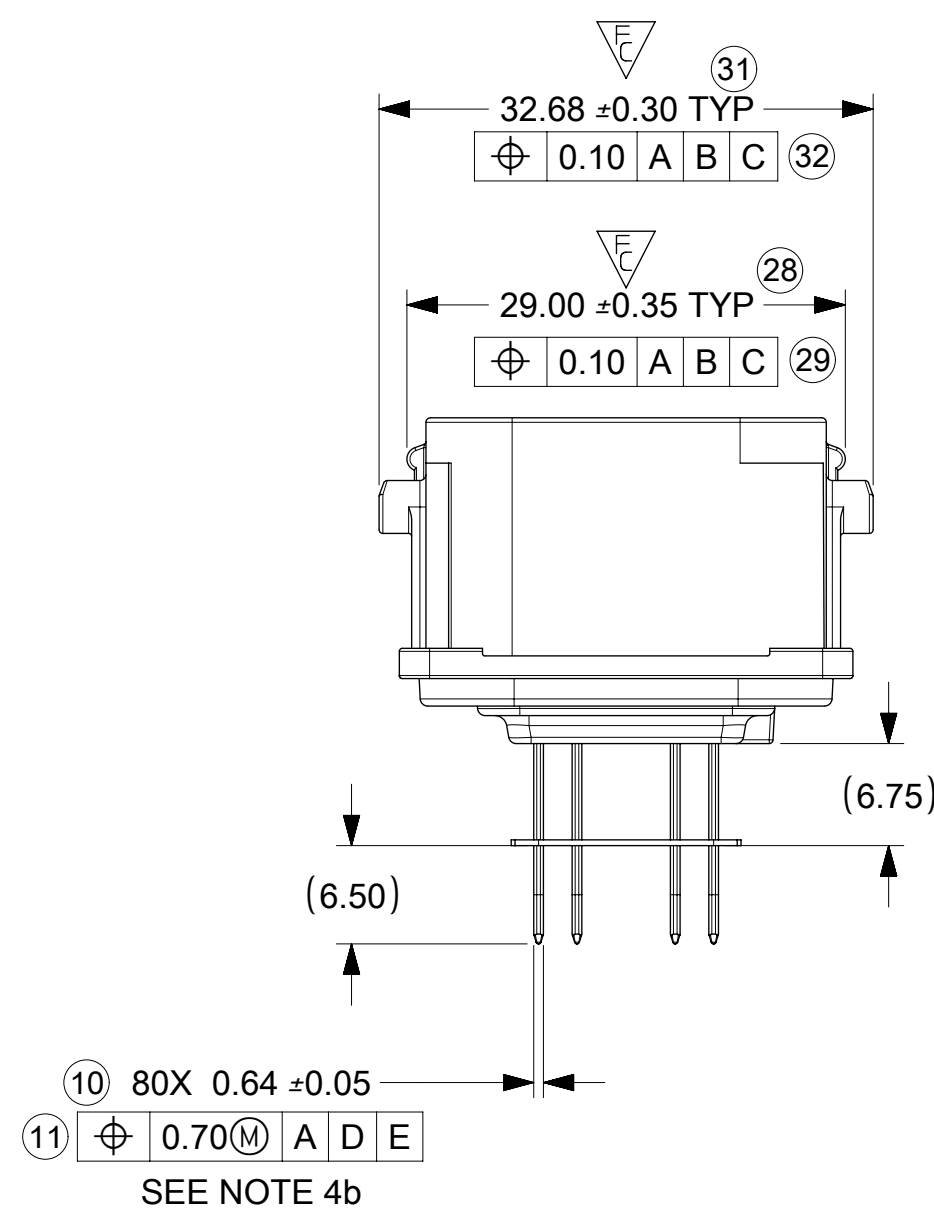
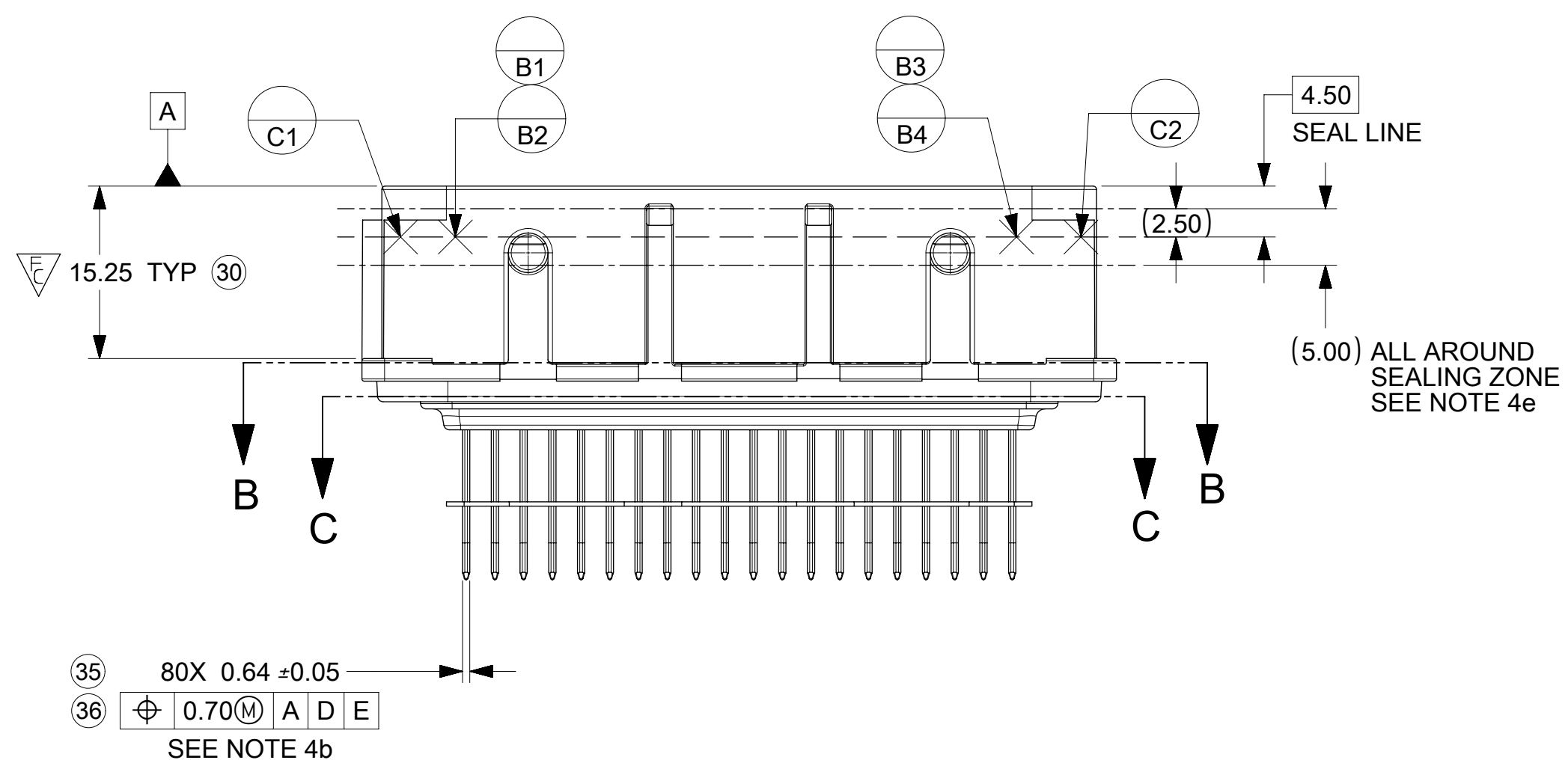
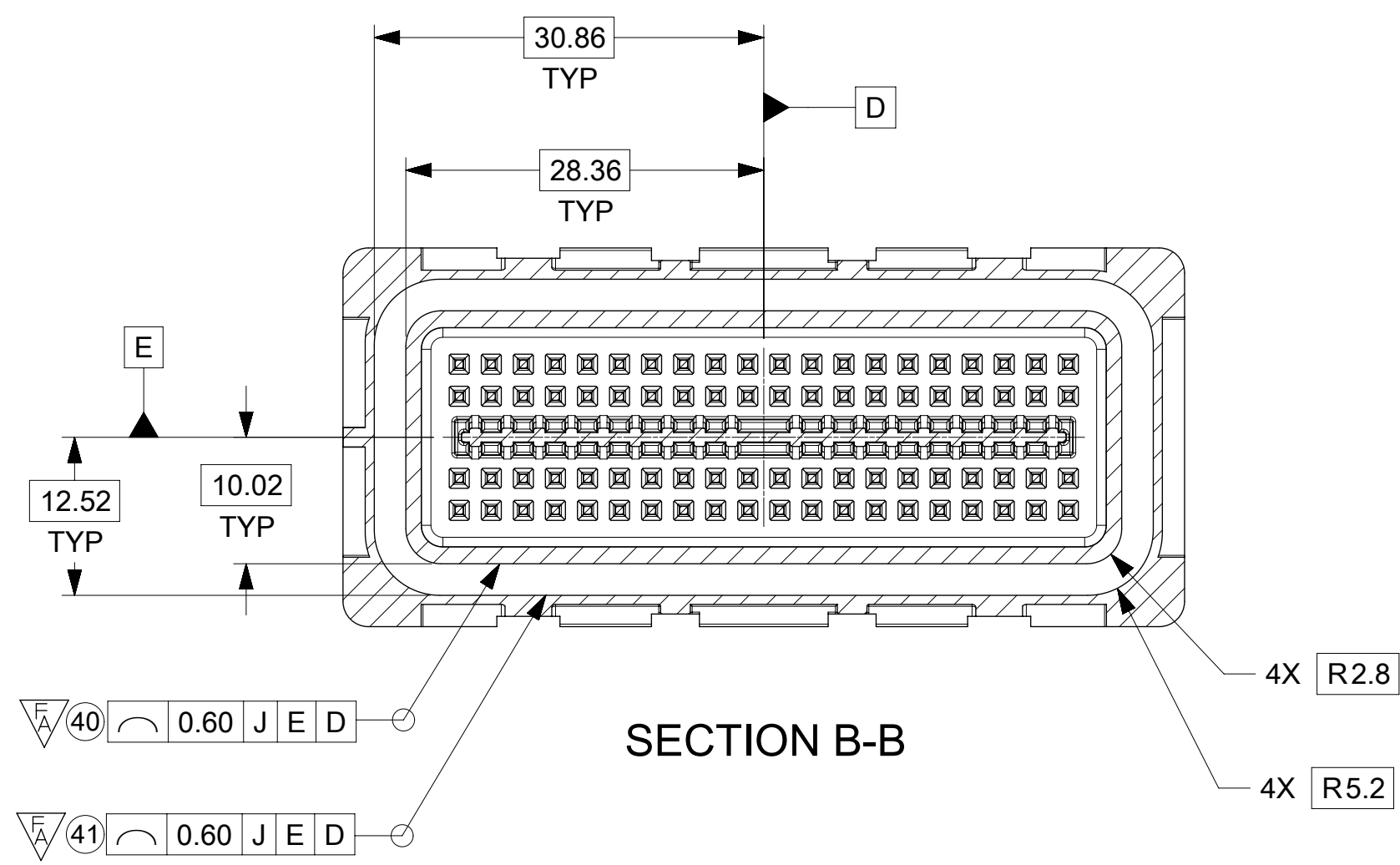
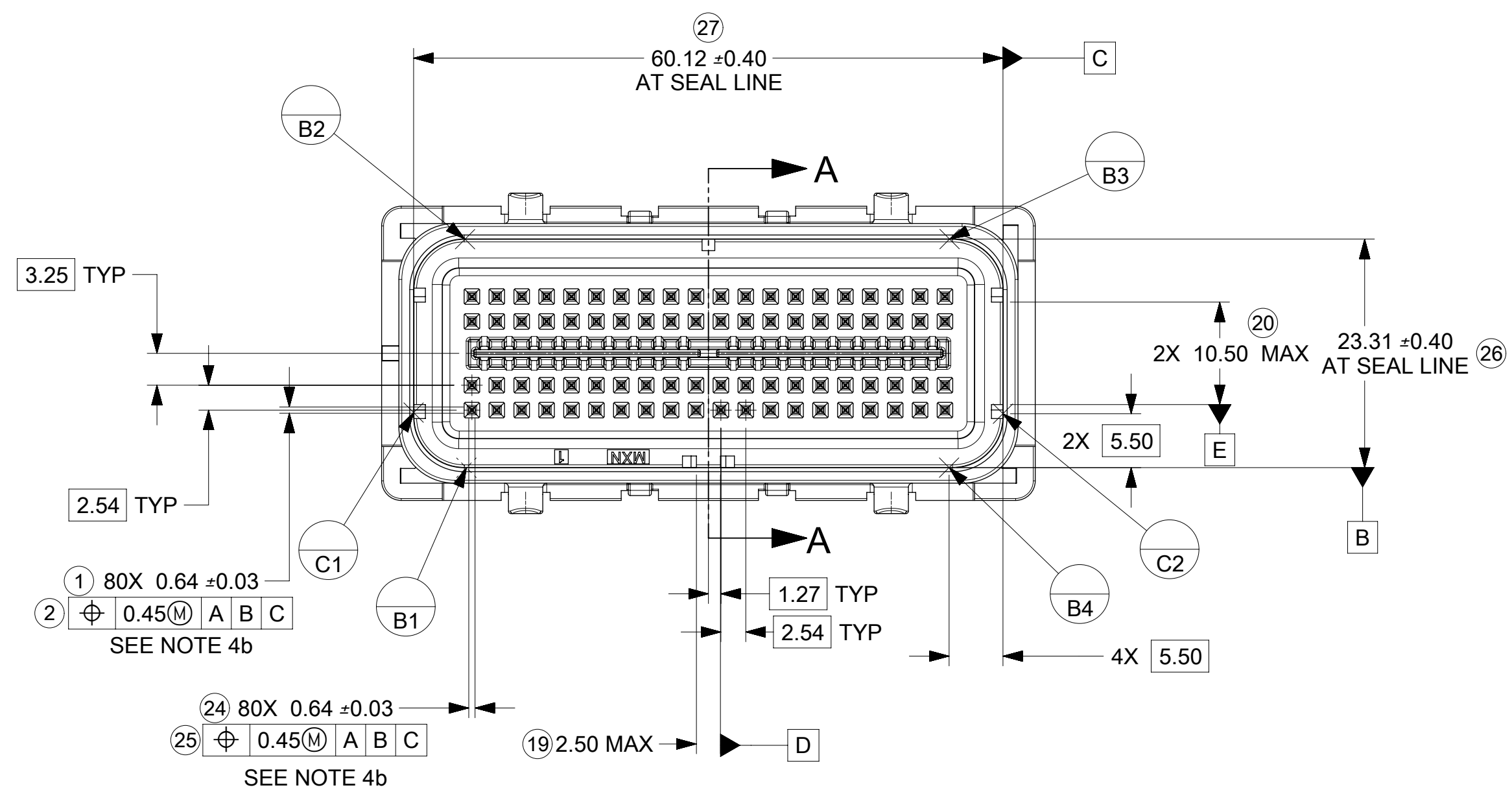
- a. HUMAN READABLE LASER MARKING
 - 1. INFORMATION TO BE PRINTED:
 - DDDY - 4 DIGIT JULIAN DATE CODE
 - S_HH - STITCHER NUMBER_HOUR NUMBER (24 HOUR CLOCK)
 - MMMM - LAST FOUR DIGITS OF MOLEX MATERIAL NUMBER
 - 2. SIZE: HUMAN LEGIBLE
- b. PIN MATE SIDE AND PCB SIDE TRUE POSITION TO BE VERIFIED ONLINE WITH A GO/NO-GO FUNCTIONAL GAGE.
- c. ANTI-TARNISH FOR Ag PLATING ONLY: SYTHETIC HYDROCARBON CONTACT SURFACE FINISH OR EQUIVALENT APPLIED WITHOUT VOID TO CONTACT AREA (MIN. 3.7mm FROM PIN TIP).
- d. VISUAL DEFECTS SHALL MEET COSMETIC STANDARD PS-45499-002 (CLASS B). WITHIN THE SEALING SURFACE/ZONE SUCH AS PARTING LINES, MISMATCHES, SINK, TEXTURE VARIATIONS, SCRATCHES/GOUGES, SHORT FILL, PROTRUSIONS, PITS, DENTS/NICKS, BLISTERS OR EJECTOR MARKS.

INSPECTION BALLOON NUMBER LOG	
PER DRAWING REVISION: B6	
LAST BALLOON NUMBER: 47	
ADDED BALLOON NUMBER: 1 2 8 10 11 19 20 24 25 26 27 28 29 30 31 32 33 34 35	
36 37 38 39 40 41 42 43 44 46 47	
DELETED INSPECTION BALLOON NUMBER: 3 4 5 6 7 9 12 13 14 15 16 17 18 21 22 23 45	

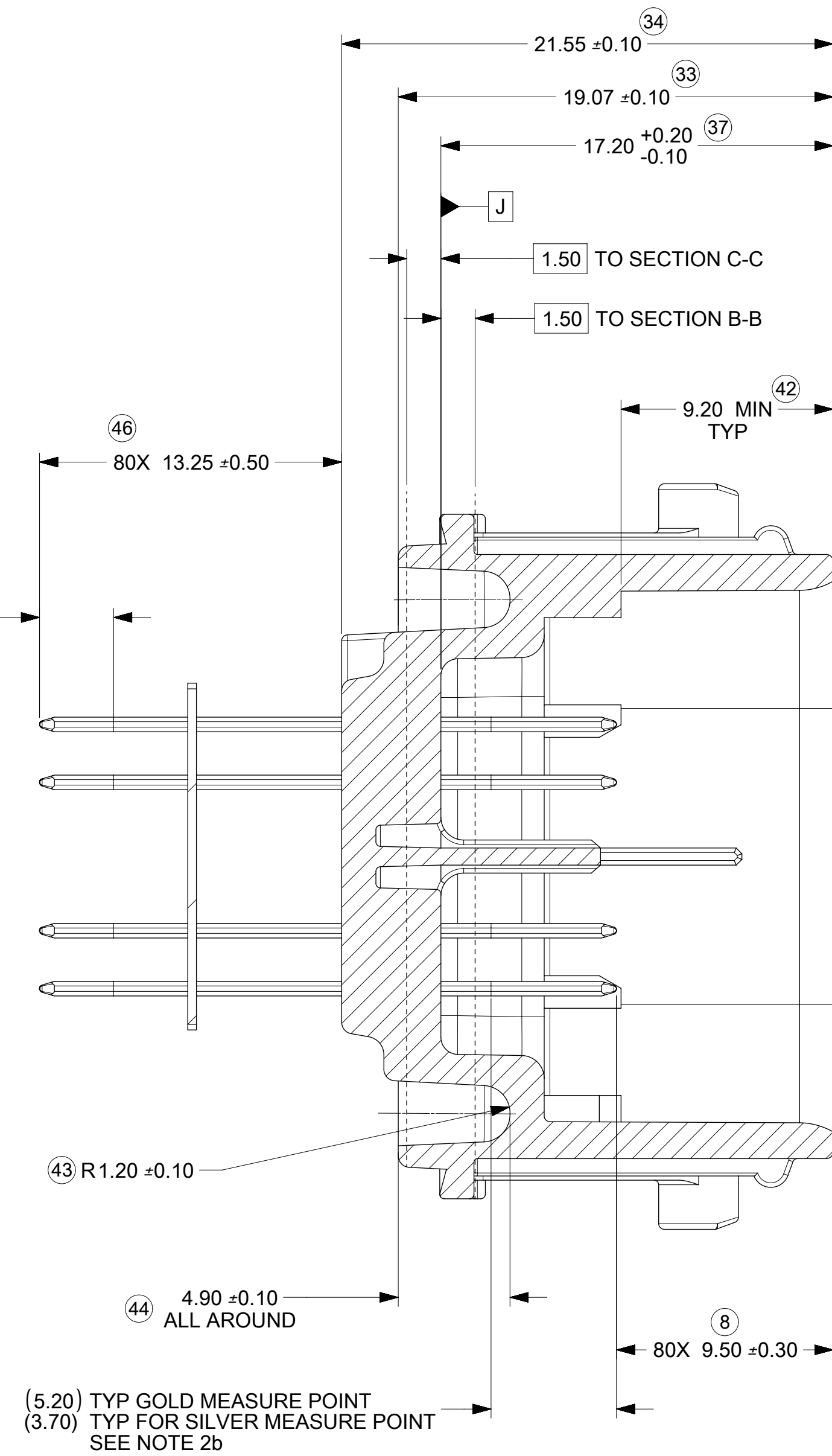
B11	UPATED PCN 505530 FOR MINOR DRAFT AND RADII
B10	NX REMASTERING
B9	CORRECTED KEY H 'DIM B' VALUE
B8	CORRECTED KEY H 'DIM A' VALUE; CHANGE STATUS TO SALEABLE
B7	UPDATED NOTE 1c SAP# 10595870
B6	ADDED NOTE 4d, e & SEALING ZONE ON PG 2 SAP# 10586362
B5	ADDED BALLOON NUMBERS 1,2,10,11,19,20, 24-44,46,47; DELETED BALLOON NUMBERS 3-7,9,12-15,17, 18, 21-23, 45 EDITED ALL NOTES, STATUS & MATING HARNESS PART NUMBER SAP# 10580347
REV	DESCRIPTION

QUALITY SYMBOLS		THIS DRAWING CONTAINS INFORMATION THAT IS PROPRIETARY TO MOLEX ELECTRONIC TECHNOLOGIES, LLC AND SHOULD NOT BE USED WITHOUT WRITTEN PERMISSION	
	= 0	2018/10/15	GENERAL TOLERANCES (UNLESS SPECIFIED)
	= 0	2018/12/10	ANGULAR TOL \pm 3.0 °
	= 0	2018/12/10	4 PLACES \pm
	= 0		3 PLACES \pm
	= 0		2 PLACES \pm 0.13
	= 0		1 PLACE \pm 0.25
	= 0		0 PLACES \pm
	= 0		DRAFT WHERE APPLICABLE MUST REMAIN WITHIN DIMENSIONS
	= 0		

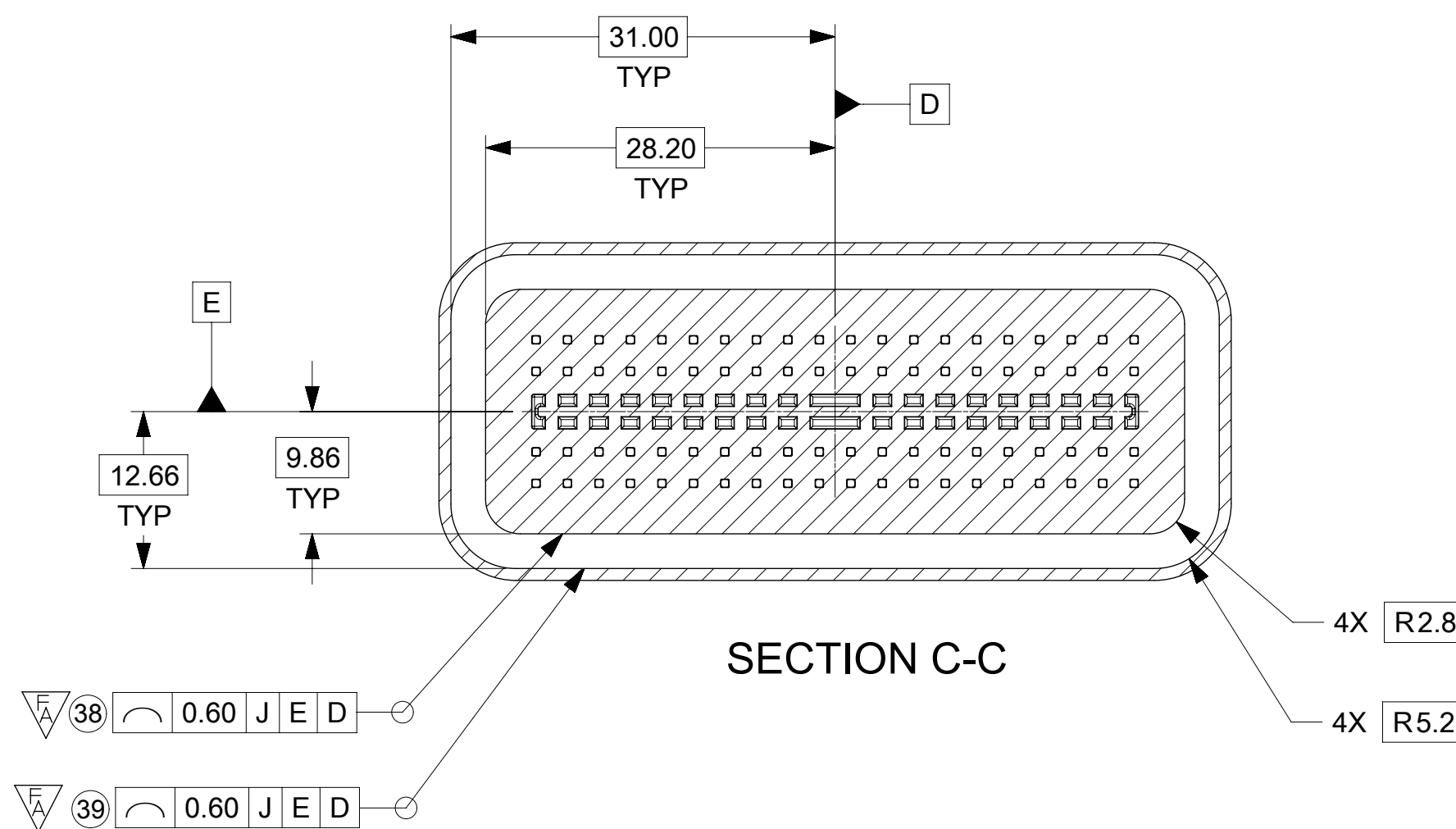
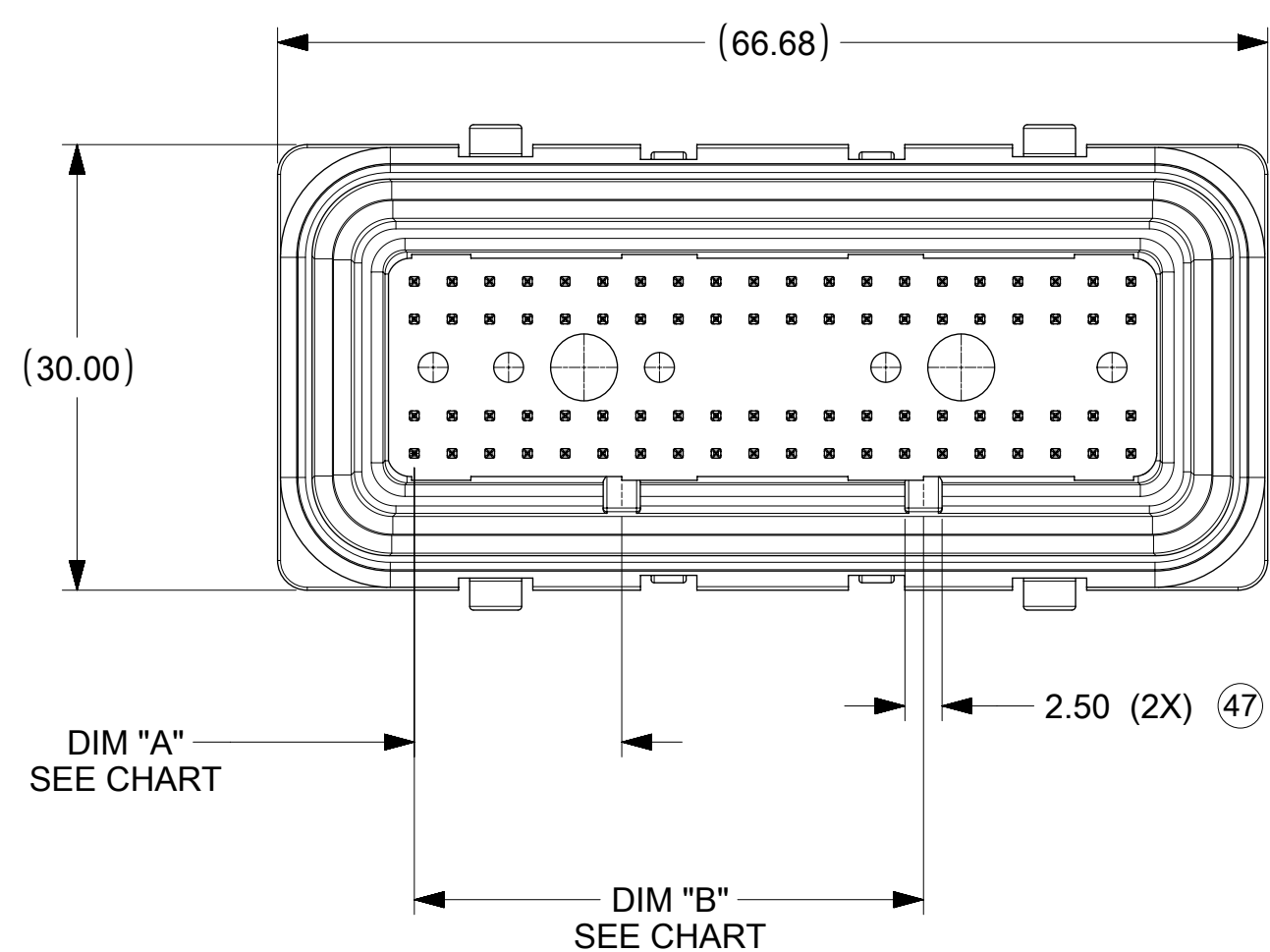
EC NO: 606583	DRWN: BSKANTHARAJU	CHKD: DKRAWCZYK	REV APPR: DKRAWCZYK
DIMENSION UNITS: MM		SCALE: 2:1	
DRWN BY: FJAKLIC		DATE: 04/30/08	
CHKD BY: FJAKLIC		DATE: 04/30/08	
APPR BY: GPRATT		DATE: 05/05/08	
DRAWING SIZE: D		THIRD ANGLE PROJECTION	
SERIES: 31387	MATERIAL NUMBER: SEE CHART	CUSTOMER: GENERAL MARKET	
DOCUMENT NUMBER: SD-31387-080	DOC TYPE: PSD	DOC PART: 000	SHEET NUMBER: 1 OF 3



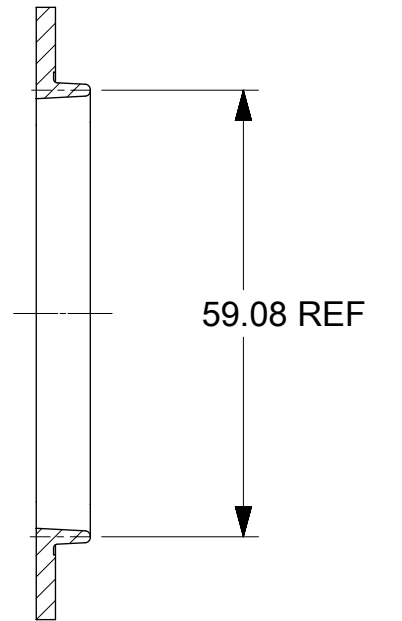
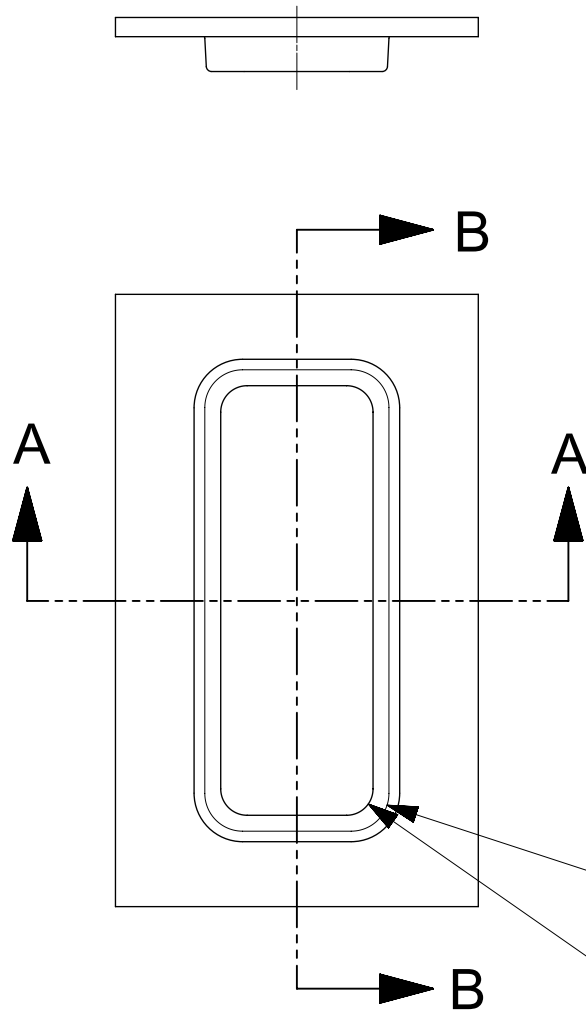
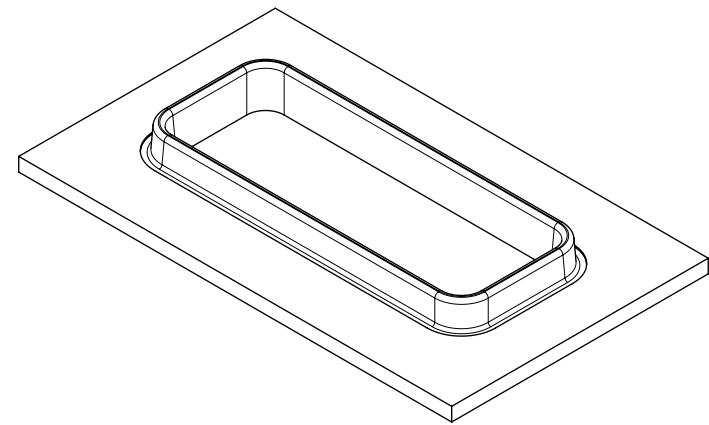
SIGNAL PIN (3.25) TYP
TIN MEASURE POINT
SEE NOTE 2b



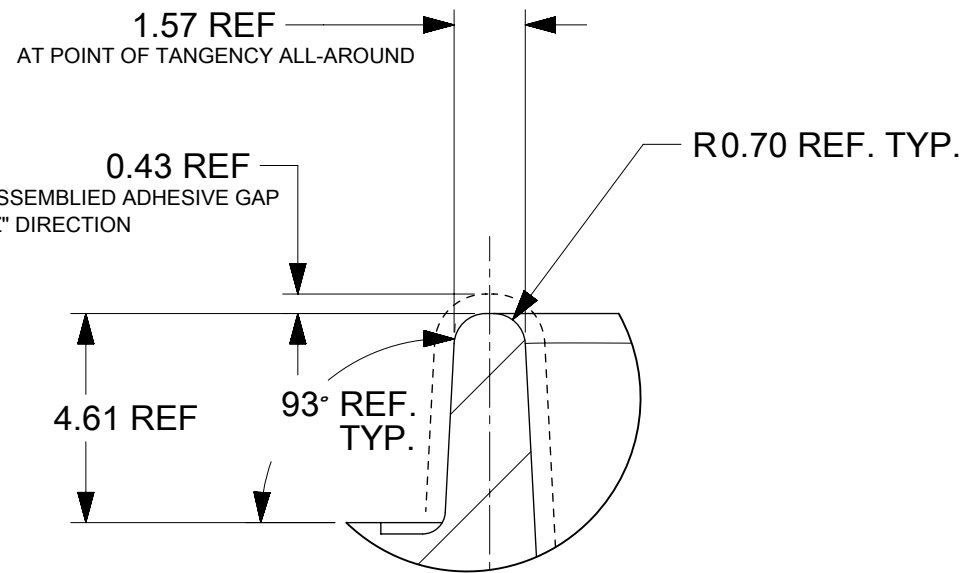
SECTION A-A
SCALE 5:1



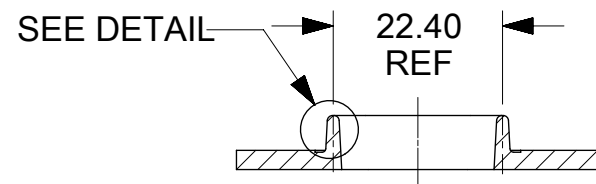
QUALITY SYMBOLS	THIS DRAWING CONTAINS INFORMATION THAT IS PROPRIETARY TO MOLEX ELECTRONIC TECHNOLOGIES, LLC AND SHOULD NOT BE USED WITHOUT WRITTEN PERMISSION			
	∇ = 4 ∇ = 3 ∇ = 0 \blacktriangledown = 0 ∇ = 0 \square = 0 \blacksquare = 0 ∇ = 0	EC NO: 606583 DRWN: BSKANTHARAJU CHKD: DKRAWCZYK REV APPR: DKRAWCZYK	2018/10/15 2018/12/10 2018/12/10	GENERAL TOLERANCES (UNLESS SPECIFIED) ANGULAR TOL ± 3.0 ° 4 PLACES ± 3 PLACES ± 2 PLACES ± 0.13 1 PLACE ± 0.25 0 PLACES ± DRAFT WHERE APPLICABLE MUST REMAIN WITHIN DIMENSIONS
RELEASE STATUS RELEASE DATE		molex 80 CKT SHROUD ASSEMBLY 0.64 SQ. PINS MX123 PRODUCT CUSTOMER DRAWING		SERIES: 31387 MATERIAL NUMBER: SEE CHART CUSTOMER: GENERAL MARKET
DOCUMENT NUMBER: SD-31387-080 DOC TYPE: PSD DOC PART: 000 SHEET NUMBER: 2 OF 3				



SECTION B-B



SCALE 6:1



SECTION A-A

R5.00 REF. TYP

R3.50 REF. TYP

THIS DRAWING CONTAINS INFORMATION THAT IS PROPRIETARY TO MOLEX ELECTRONIC TECHNOLOGIES, LLC AND SHOULD NOT BE USED WITHOUT WRITTEN PERMISSION

QUALITY SYMBOLS	EC NO: 121890 DRWN: BSKANTHARAJU CHKD: APPR: DKRAWCZYK	2017/03/28 2017/10/12	GENERAL TOLERANCES (UNLESS SPECIFIED)		DIMENSION UNITS	SCALE		
			ANGULAR TOL ± °		MM	1:1		
▽ = 0	DRAFT WHERE APPLICABLE MUST REMAIN WITHIN DIMENSIONS	B1	4 PLACES ±	DRWN BY	DATE	LARGE FOOTPRINT ADHESIVE TONGUE GEOMETRY		
▽ = 0			3 PLACES ±	FJAKLIC	11/21/2008			
▽ = 0			2 PLACES ±	CHK'D BY	DATE			
▽ = 0			1 PLACE ±	GPRATT	11/21/2008			
▽ = 0			0 PLACES ±	APPR BY	DATE			
▽ = 0			DKRAWCZYK	2013/02/19	PRODUCT CUSTOMER DRAWING			
□ = 0			DRAWING SIZE	THIRD ANGLE PROJECTION	SERIES	MATERIAL NUMBER	CUSTOMER	
■ = 0			B		31387		GENERAL MARKET	
▽ = 0					DOCUMENT NUMBER	DOC TYPE	DOC PART	SHEET NUMBER
					SD-31387-173	PSD	000	1 OF 1

RELEASE STATUS	RELEASE DATE
----------------	--------------