

PLUG HOUSING

SYMBOLS		THIS DRAWING CONTAINS INFORMATION THAT IS PROPRIETARY TO MOLEX ELECTRONIC TECHNOLOGIES, LLC AND SHOULD NOT BE USED WITHOUT WRITTEN PERMISSION		
DIMENSION UNITS	SCALE	CURRENT REV DESC: REMOVE 2004-R, -RBK		
$\nabla = 0$	MM/IN	2:1	<p>molex</p> <p>PLUG AND RECEPTACLE HOUSINGS 4 CIRCUIT .062 DIA., .145 CTRS.</p> <p>PRODUCT CUSTOMER DRAWING</p>	
$\nabla = 0$	GENERAL TOLERANCES (UNLESS SPECIFIED)			
$\nabla = 0$		MM		INCH
$\nabla = 0$	4 PLACES	±		±
$\nabla = 0$	3 PLACES	±		± 0.01
$\nabla = 0$	2 PLACES	± 0.25	± 0.014	
$\nabla = 0$	1 PLACE	± 0.36	±	
$\nabla = 0$	0 PLACES	±	±	
$\nabla = 0$	ANGULAR TOL	± 1.0°		
$\nabla = 0$	DRAFT WHERE APPLICABLE MUST REMAIN WITHIN DIMENSIONS	THIRD ANGLE PROJECTION	DRAWING	
$\nabla = 0$		B-SIZE	SERIES	
		2004	MATERIAL NUMBER	
		SEE CHART	CUSTOMER	
		GENERAL MARKET	SHEET NUMBER	
		1 OF 3		

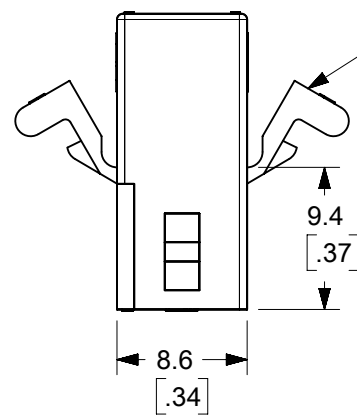
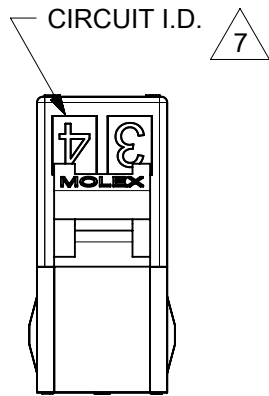
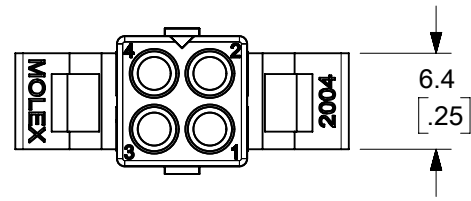
molex

PLUG AND RECEPTACLE HOUSINGS 4 CIRCUIT
.062 DIA., .145 CTRS.

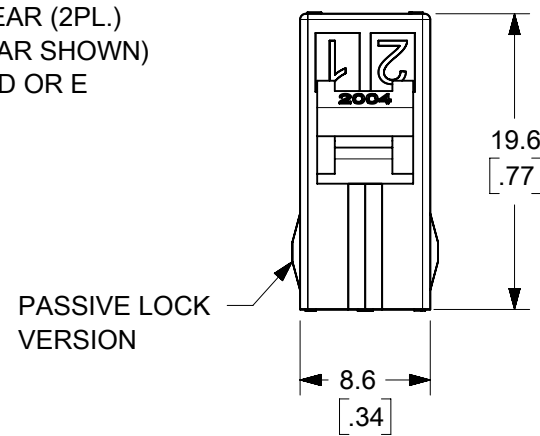
PRODUCT CUSTOMER DRAWING

DOCUMENT NUMBER: 20040000-SD
DOC TYPE: PSD
DOC PART: 000
REVISION: A2

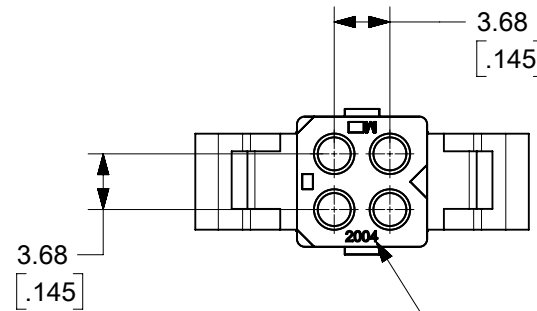
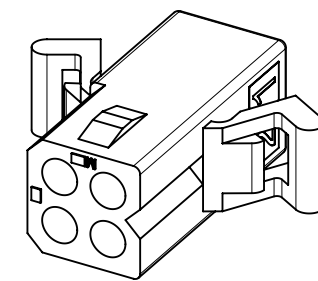
MATERIAL NUMBER: SEE CHART
CUSTOMER: GENERAL MARKET
SHEET NUMBER: 1 OF 3



MOUNTING EAR (2PL.)
(PREBENT EAR SHOWN)
SEE DETAIL D OR E



PASSIVE LOCK
VERSION



ENG. NO. LOCATION
FOR PARTS W/O MOUNTING EARS

RECEPTACLE HOUSING

THIS DRAWING CONTAINS INFORMATION THAT IS PROPRIETARY TO MOLEX ELECTRONIC TECHNOLOGIES, LLC AND SHOULD NOT BE USED WITHOUT WRITTEN PERMISSION												
QUALITY SYMBOLS ▽ = 0 ▽ = 0 ▽ = 0 ▽ = 0 ▽ = 0 ▽ = 0 ▽ = 0 ▽ = 0 ▽ = 0 ▽ = 0	REMOVE 2004-R, -RBK EC NO: 172672 DRWN: ANESSER CHK'D: MKIPPER APPR: FSMITH	GENERAL TOLERANCES (UNLESS SPECIFIED)		DIMENSION UNITS	SCALE							
				MM/IN	2:1							
				MM	INCH							
				4 PLACES	±	±	DRWN BY	DATE	PLUG AND RECEPTACLE HOUSINGS 4 CIRCUIT .062 DIA., .145 CTRS.			
				3 PLACES	±	± 0.01	BAPPELDORN	2016/09/22				
				2 PLACES	± 0.25	± 0.014	CHK'D BY	DATE				
				1 PLACES	± 0.36	±	MKIPPER	2016/09/22	PRODUCT CUSTOMER DRAWING			
				0 PLACES	±	±	APPR BY	DATE				
				ANGULAR TOL ± 1.0		DRAWING SIZE	THIRD ANGLE PROJECTION	SERIES: 2004 MATERIAL NUMBER: SEE CHART CUSTOMER: GENERAL MARKET				
				DRAFT WHERE APPLICABLE MUST REMAIN WITHIN DIMENSIONS		B						
						DOCUMENT NUMBER: 20040000-SD		DOC TYPE: PSD	DOC PART: 000	SHEET NUMBER: 2 OF 3		

PLUG	
PART NO.	ENG. NO.
03-06-2044	2004-P1
03-06-7044	2004-P1BK
46999-0719	2004-P2

RECEPTACLE	
PART NO.	ENG. NO.
03-06-1044	2004-R1
46999-0807	2004-R2

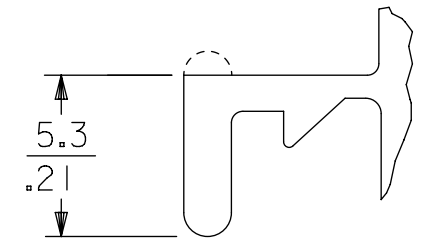
LEGEND:

P = PLUG
R = RECEPTACLE

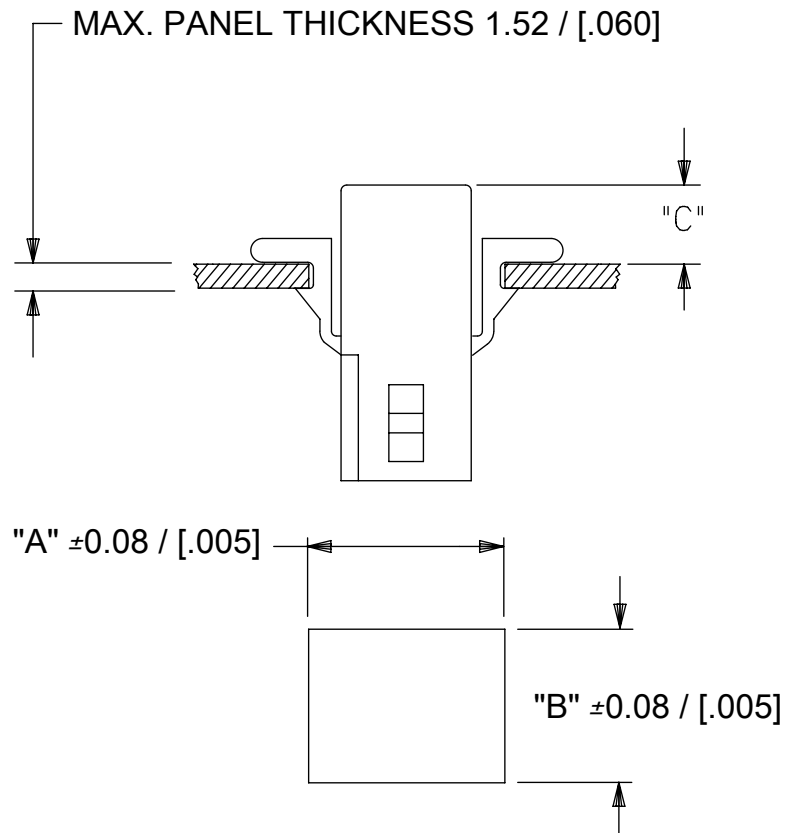
BLANK = WITH STANDARD EARS
1 = WITHOUT EARS
2 = WITH PREBENT EARS

COLOR:
BLANK = NATURAL
AM=AMBER BK=BLACK BU=BLUE
BN=BROWN GY=GRAY GN=GREEN
OR=ORANGE RD=RED YW=YELLOW

2004-***

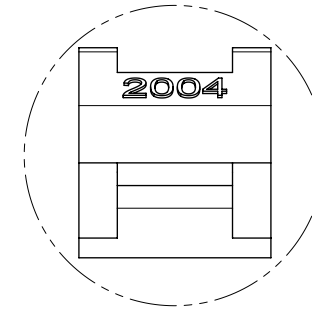


DETAIL D
STANDARD MOUNTING EARS
(SCALE 4:1)

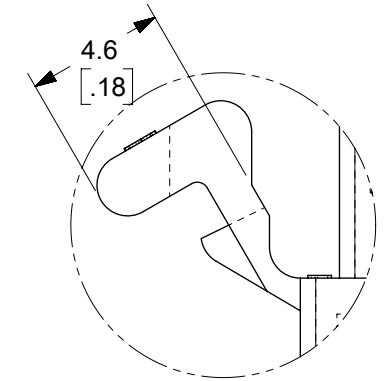


NOTES:

1. MATERIAL: NYLON 6/6 UL94V-2, COLOR: SEE LEGEND
2. FINISH: NONE
3. PRODUCT SPECIFICATION: PS-02-06
4. PACKAGING SPECIFICATION: 20040000-PK
5. THIS DIMENSION DEPENDS ON TOOLING AND MAY BE 0.75/(19.1) ON SOME PARTS.
6. HOUSINGS FOR USE WITH MOLEX .062/(1.57) DIA. TERMINALS.
7. CIRCUIT I.D. NUMBERS ON SIDE OF HOUSING DEPENDS ON TOOLING AND MAY OR MAY NOT BE PRESENT.
8. PARTS CONFORM TO CLASS B REQUIREMENTS OF COSMETIC SPECIFICATION PS-45499-002.
9. DRAWING REPLACES SD-2004-*



DETAIL F
SCALE 4:1



DETAIL E
SCALE 4:1

PRE-BENT MOUNTING EARS
(SCALE 4:1)

RECOMMENDED HOLE PATTERN

HOUSING	DIM. "A"		DIM. "B"		PREBENT EAR DIM. "C"		STD. EAR DIM. "C"	
	MM	IN	MM	IN	MM	IN	MM	IN
PLUG	15.62	.615	11.81	.465	6.6	.26	6.6	.26
RECEPTACLE	12.85	.506	10.16	.400	6.1	.24	6.1	.24

SYMBOLS										THIS DRAWING CONTAINS INFORMATION THAT IS PROPRIETARY TO MOLEX ELECTRONIC TECHNOLOGIES, LLC AND SHOULD NOT BE USED WITHOUT WRITTEN PERMISSION									
DIMENSION UNITS					SCALE					CURRENT REV DESC: REMOVE 2004-R, -RBK									
MM/IN					1:1					<p>molex</p> <p>PLUG AND RECEPTACLE HOUSINGS 4 CIRCUIT .062 DIA., .145 CTRS.</p> <p>PRODUCT CUSTOMER DRAWING</p>									
GENERAL TOLERANCES (UNLESS SPECIFIED)																			
4 PLACES ±					±					EC NO: 172672					DRWN: ANESSER 2018/02/22				
3 PLACES ±					± 0.01					CHK'D: MKIPPER 2018/03/05					APPR: FSMITH 2018/03/06				
2 PLACES ±					± 0.014					INITIAL REVISION:					DRWN: BAPPELDORN 2016/09/22				
1 PLACE ±					± 0.36					APPR: FSMITH 2016/09/29					20040000-SD PSD 000 A2				
0 PLACES ±					±					DRAFT WHERE APPLICABLE MUST REMAIN WITHIN DIMENSIONS					THIRD ANGLE PROJECTION				
ANGULAR TOL ± 1.0°					DRAWING					SERIES					MATERIAL NUMBER				
B-SIZE					2004					SEE CHART					CUSTOMER GENERAL MARKET				
SHEET NUMBER					3 OF 3														