

MATERIALS & SPECIFICATIONS

PART NO.	A22024-001	REV	ECO	DATE	APP
		C	96877	07-13-10	TLM

INSULATOR:

LIQUID CRYSTAL POLYMER (LCP) PER ASTM D5138.

CONTACT:

COPPER ALLOY PER MIL-DTL-83513. GOLD PLATE PER ASTM B488, (HARD GOLD) TYPE II CODE C, CLASS 1.27

TERMINATION:

26 AWG (7-34) TYPE E PER NEMA HP3, COLOR CODED PER TABLE.

LATCH BOX:

BERYLLIUM COPPER PER ASTM B194 NICKEL PLATE PER AMS-C-26074.

CURRENT CAPACITY:

3 AMP MAX.

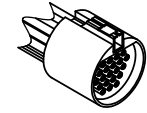
CONTACT RESISTANCE:

26 MILLIOHMS (65mV) MAX @ 2.5 AMPS.

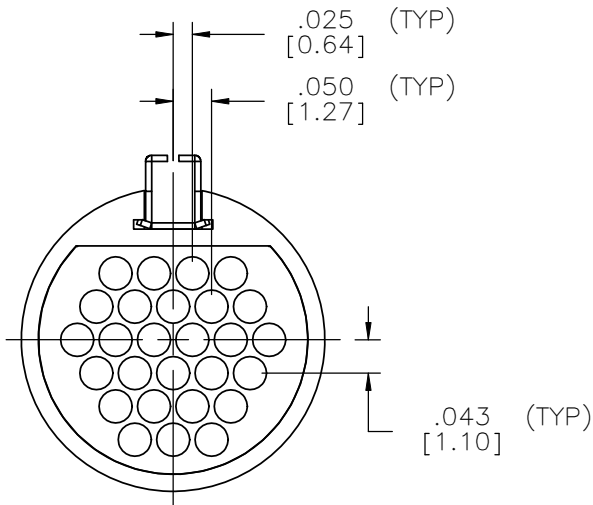
PERFORMANCE:

PRODUCT FAMILY TESTED TO AND PASSED THE PERFORMANCE SPECIFICATIONS OF TABLE VII OF MIL-DTL-83513.

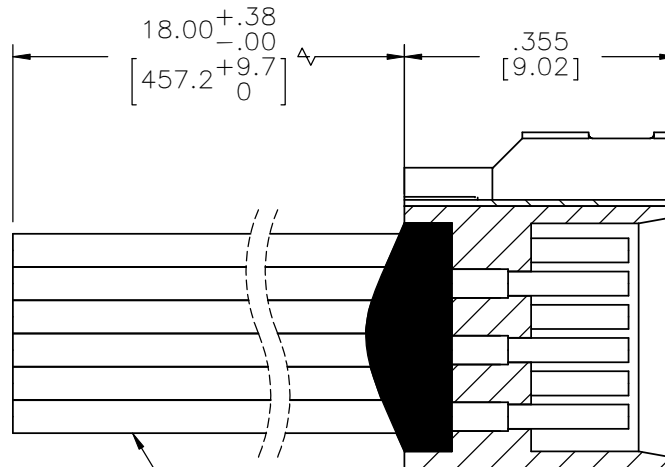
SOCKET #	COLOR
1, 11, 21	BLACK
2, 12, 22	BROWN
3, 13, 23	RED
4, 14, 24	ORANGE
5, 15, 25	YELLOW
6, 16, 26	GREEN
7, 17, 27	BLUE
8, 18	VIOLET
9, 19	GRAY
10, 20	WHITE



ACTUAL SIZE EXCLUDING WIRE LENGTH

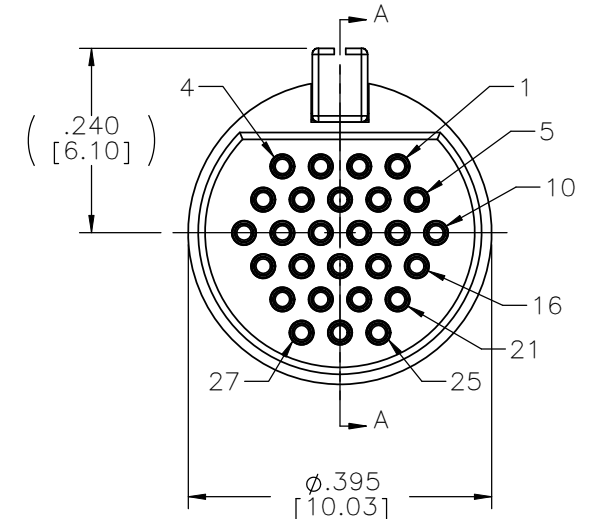


LOADING VIEW
LESS EPOXY



26 AWG (7-34)
PTFE, COLOR CODED

SECTION A-A



REF: OMNETICS

INTERNAL USE ONLY
USE MFG LOADING
PROCEDURE MC-27S

MCTS SCTS	THIRD ANGLE
	-TOLERANCES-
	UNLESS OTHERWISE NOTED
	DIMENSIONS IN INCHES
	2 PL DEC ± .01
3 PL DEC ± .005	
4 PL DEC ± .0005	
ANGLES ± 1°	

THIS DRAWING CONTAINS CONFIDENTIAL AND PROPRIETARY INFORMATION WHICH IS THE PROPERTY OF OMNETICS CONNECTOR CORP. THIS DOCUMENT MAY NOT, IN WHOLE OR IN PART, BE DUPLICATED, OR DISCLOSED FOR ANY PURPOSE, WITHOUT WRITTEN PERMISSION FROM OMNETICS CONNECTOR CORP.

DFTM. PER	DATE
02-28-01	
CHK'D.	DATE
APP'D.	DATE

TITLE:
(27) SOCKET FEMALE
MICRO CIRCULAR
CONNECTOR W/ LATCH

OMNETICS
CONNECTOR CORPORATION
7260 COMMERCE CIRCLE EAST
MINNEAPOLIS, MN 55432
WWW.OMNETICS.COM

CAGE CODE 61873	
DWG NO. A22024-001	
SHEET 1 OF 1	REV C
SCALE: 4:1	