



LAYOUT SHOWN AS EXAMPLE

Keying Shown as example

CHARACTERISTICS

- Standard : Based on MIL-DTL-38999 Series III
- Shell Material : Aluminium
- Shell Plating : Black Zinc Nickel
- Insulator : Thermoplastic
- Contacts : Copper Alloy
- Seals & Grommet : Silicon Elastomer
- Contact Plating : Gold over copper Alloy 0.8µm minimum
- Durability : 500 Mating cycles
- Delivered with Souriau contacts and Accessories
- Temperature Range : -65°C to +175°C
- Salt Spray : 500 hours

Connector dimension	
Dim	Nominal
A	58.7±0.3
B	42.85+0.1/-0.15
R	32.5Max
S	55.6±0.4
W	3+0.9/-0.1
VV THREAD	M37x1-6g

SOURIAU shall not be liable for any non-conformity or damage due to a use of the Products which does not comply with the Specifications issued by either of the Parties or by a third party (professional recommendation, technical notice.)

Country	Jurisdiction & Control List
FR	Not Listed

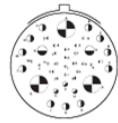
PN: 8D725Z41PE

A	05-10-2016	First Release	
ISS	DATE	Latest modification - by	MOD N°
Designed By:		Date:	CUSTOMER DRAWING
TITLE	Aluminium Receptacle 8D series		
SCALE		General linear Tolerances: ±--	NPRDS / PROJECT 859
NA			This document is the property of SOURIAU it must not be reproduced or communicated without permission
SOURIAU	WWW.SOURIAU.COM		
FORMAT	SOURIAU DRG N° 8D725Z41PE-C		SHEET 1/2

BASIC SERIES:	8D	7	-	25	Z	41	P	E	ORIENTATION : E	
SHELL TYPE :	Jam nut Receptacle									
CONTACT TYPE :	Standard Crimp Contact									
SHELL SIZE :	25									
PLATING :	Z =	Black Zinc Nickel							CONTACT TYPE :	PIN(500 Matings)
									CONTACT LAYOUT :	25-41

Contact Layout

41

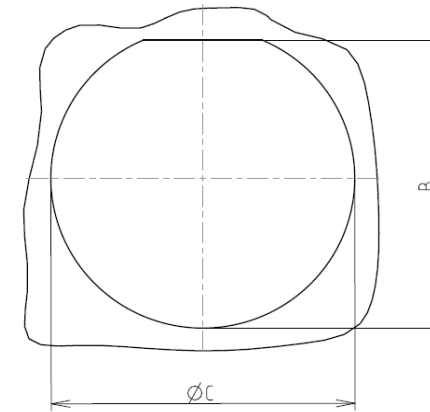


22#22D, 3#20
11#16, 2#12
3#8 Triax

25-41					
Ctc	X	Y	Ctc	X	Y
A	0	10.79	Y	-5.37	7.92
B	7.09	11.34	Z	3.32	5.72
C	10.77	7.92	a	7.96	-0.42
D	12.94	3.39	b	0	-6.6
E	13.27	-1.62	c	-7.96	-0.42
F	8.17	-6.44	d	-3.32	5.72
G	4.67	-12.53	e	0	4.48
H	0	-13.37	f	3.02	3.07
J	-4.67	-12.53	g	5.32	0.005
K	-8.17	-6.44	h	3.7	-2.43
L	-13.27	-1.62	i	2.38	-4.74
M	-12.94	3.39	j	-2.38	-4.74
N	-10.77	7.92	k	-3.7	-2.43
P	-7.09	11.34	m	-5.32	0.005
R	5.37	7.92	n	-3.02	3.07
S	7.32	3.91	p	0	1.81
T	10.39	0.67	q	2.59	-0.01
U	1.77	-9.66	r	0	-3.53
V	-1.77	-9.66	s	-2.59	-0.01
W	-10.39	0.67	t	0	-0.86
X	-7.32	3.91			

Panel cutout

JAM NUT RECEPTACLE (TYPE 7)



Dim	Nominal
B	43.43+0/-0.25
ØC	44.7+0.25/-0

SOURIAU shall not be liable for any non-conformity or damage due to a use of the Products which does not comply with the Specifications issued by either of the Parties or by a third party (professional recommendation, technical notice.)

Country	Jurisdiction & Control List
FR	Not Listed

PN: 8D725Z41PE

A	05-10-2016	First Release	
ISS	DATE	Latest modification - by	MOD N°
Designed By:		Date:	CUSTOMER DRAWING
TITLE	Aluminium Receptacle 8D series		
SCALE		General linear Tolerances:	NPRDS / PROJECT
NA		±--	859
SOURIAU	WWW.SOURIAU.COM		This document is the property of SOURIAU it must not be reproduced or communicated without permission
FORMAT	SOURIAU DRG N° 8D725Z41PE-C		SHEET 2/2