

NOTES:

1. MATERIAL:

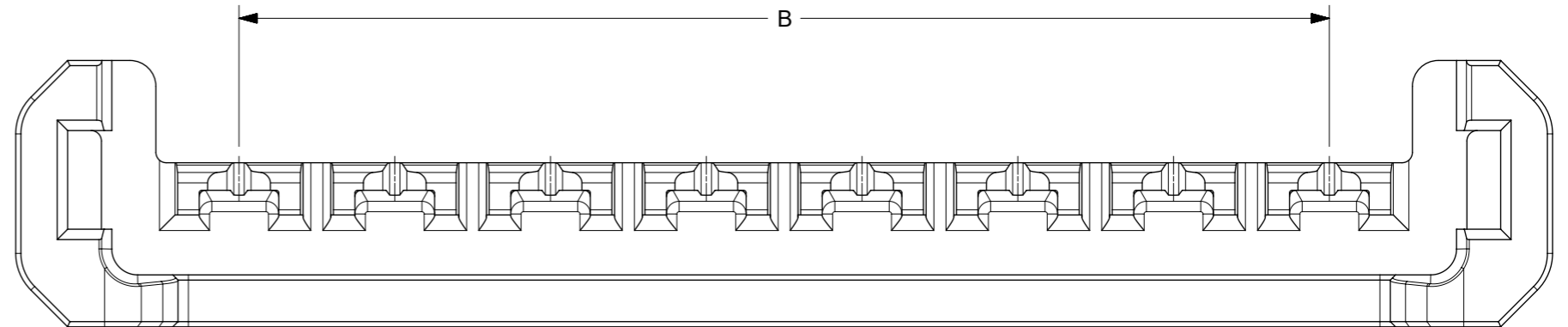
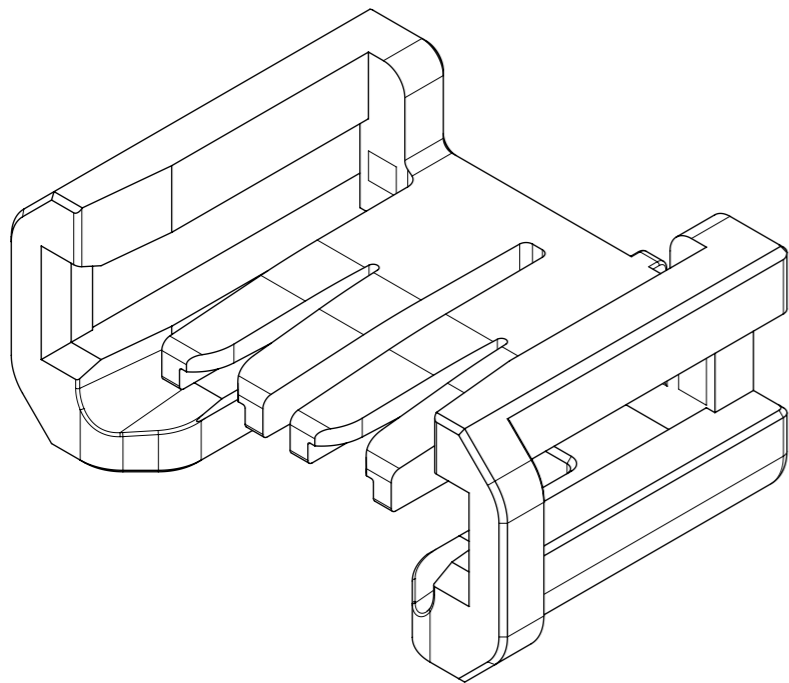
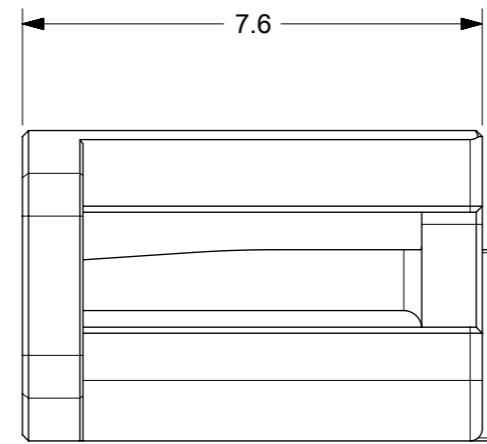
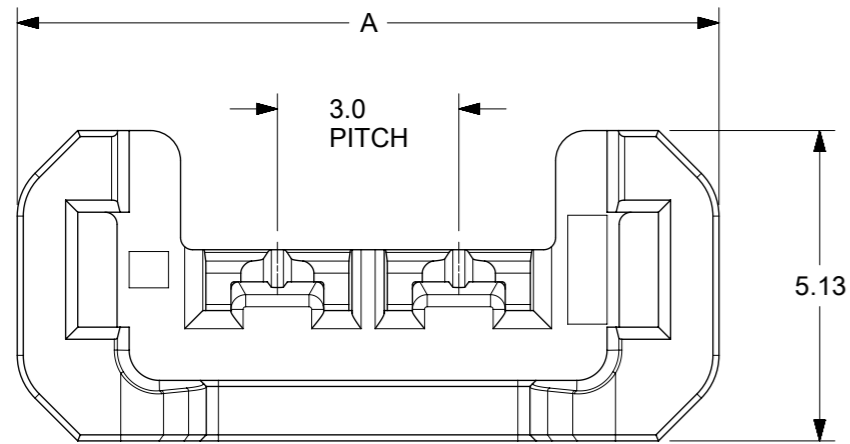
PA6  
UL RATED 94V-2  
COLOR: BLACK

2. 150213 SERIES PARTS ARE USED WITH 150201 HOUSING SERIES.

3. PRODUCT SPECIFICATION PS-150197-0000

4. PACKAGING SPECIFICATION PK-150212-0000

5. COSMETIC SPECIFICATION: PS-45499-002 CLASS B



PART NUMBER	CIRCUIT SIZE	A	B
1502130002	2	11.6	3.0
1502130003	3	14.6	6.0
1502130004	4	17.6	9.0
1502130005	5	20.6	12.0
1502130006	6	23.6	15.0
1502130007	7	26.6	18.0
1502130008	8	29.6	21.0

THIS DRAWING CONTAINS INFORMATION THAT IS PROPRIETARY TO MOLEX ELECTRONIC TECHNOLOGIES, LLC AND SHOULD NOT BE USED WITHOUT WRITTEN PERMISSION										
DIMENSION UNITS	SCALE	CURRENT REV DESC: DOC TYPE MODIFIED								
mm	8:1									
GENERAL TOLERANCES (UNLESS SPECIFIED)										
ANGULAR TOL	± 0.5°	EC NO: 177380		SALES DRAWING						
4 PLACES	±	DRWN: NCSR 2018/05/29		TPA V-2, DITTO INTERCONNECTS						
3 PLACES	±	CHK'D: NCSR 2018/05/31		PRODUCT CUSTOMER DRAWING						
2 PLACES	± 0.13	APPR: NCSR 2018/05/31		INITIAL REVISION:		DOCUMENT NUMBER				
1 PLACE	± 0.25	DRWN: GES 2015/04/03		DRWN: GES 2015/04/03		SD-150213-0000		DOC TYPE	DOC PART	REVISION
0 PLACES	±	APPR: KPRASAD 2014/04/14		APPR: KPRASAD 2014/04/14		SEE TABLE		PSD	001	A1
DRAFT WHERE APPLICABLE MUST REMAIN WITHIN DIMENSIONS		THIRD ANGLE PROJECTION	DRAWING	SERIES	MATERIAL NUMBER	CUSTOMER		SHEET NUMBER		
			A3-SIZE	150212	SEE TABLE	GENERAL MARKET		1 OF 1		