

ABBREVIATION	DESCRIPTION	COLOR	MATERIAL
A-BLACK	HOUSING, KEYING OPTION A	BLACK	SPS/NYLON GF20
B-LIGHT GRAY	HOUSING, KEYING OPTION B	LIGHT GRAY	SPS/NYLON GF20
C-BROWN	HOUSING, KEYING OPTION C	BROWN	SPS/NYLON GF20
D-GREEN	HOUSING, KEYING OPTION D	GREEN	SPS/NYLON GF20
A-YELLOW	HOUSING, KEYING OPTION A	YELLOW	SPS/NYLON GF20
C-DARK GRAY	HOUSING, KEYING OPTION C	DARK GRAY	SPS/NYLON GF20
D-STONE GRAY	HOUSING, KEYING OPTION D	STONE GRAY	SPS/NYLON GF20
GCP	GROMMET CAP (PLUGGED)	BLACK	SPS/NYLON GF20
PLR	PLR	NATURAL	SPS/NYLON GF20
M-R	MAT SEAL	RUST RED	INHERENTLY LUBRICATED SILICONE
M-B	MAT SEAL	ROYAL BLUE	INHERENTLY LUBRICATED SILICONE

FOR ADDITIONAL INFORMATION SEE SD-33482-0001

ASSEMBLY DESCRIPTION	ASSEMBLY PART NUMBER	COMPONENT				BLOCKED TERMINALS						STATUS	COMMENT	OPTIONAL ATTACHMENTS SOLD SEPARATELY	
		THE PRESENCE OF AN ABBREVIATION INDICATES THE PRESENCE OF THAT COMPONENT				CAVITY WITH A NUMBER INDICATES BLOCKED TERMINAL POSITION CAVITY WITHOUT A NUMBER INDICATES OPEN TERMINAL POSITION								BACKSHELL WITH RIBS	BACKSHELL WITHOUT RIBS
		HOUSING KEY/COLOR	GROMMET CAP	PLR	MAT SEAL										
MX150 ASSY BLD 2X6 BK A/12	334821201	A-BLACK	GCP	PLR	M-R	-	-	-	-	-	-	OBSOLETE	SEE 334826201	34950-1210	34950-1220
MX150 ASSY BLD 2X6 LG B/12	334821202	B-LIGHT GRAY	GCP	PLR	M-R	-	-	-	-	-	-	OBSOLETE	SEE 334826202	34950-1210	34950-1220
MX150 ASSY BLD 2X6 BR C/12	334821203	C-BROWN	GCP	PLR	M-R	-	-	-	-	-	-	OBSOLETE	SEE 334826261	34950-1210	34950-1220
MX150 ASSY BLD 2X6 GR D/12	334821204	D-GREEN	GCP	PLR	M-R	-	-	-	-	-	-	OBSOLETE	SEE 334826262	34950-1210	34950-1220
MX150 ASSY BLD 2X6 BK A/11	334821206	A-BLACK	GCP	PLR	M-R	-	-	-	-	-	6	OBSOLETE	SEE 334826206	34950-1210	34950-1220
MX150 ASSY BLD 2X6 LG B/11	334821207	B-LIGHT GRAY	GCP	PLR	M-R	-	-	-	-	-	6	OBSOLETE	SEE 334826207	34950-1210	34950-1220
MX150 ASSY BLD 2X6 BR C/11	334821208	C-BROWN	GCP	PLR	M-R	-	-	-	-	-	6	OBSOLETE		34950-1210	34950-1220
MX150 ASSY BLD 2X6 GR D/11	334821209	D-GREEN	GCP	PLR	M-R	-	-	-	-	-	6	OBSOLETE		34950-1210	34950-1220
MX150 ASSY BLD 2X6 BK A/10	334821211	A-BLACK	GCP	PLR	M-R	-	-	-	-	-	6	OBSOLETE	SEE 334826211	34950-1210	34950-1220
MX150 ASSY BLD 2X6 LG B/10	334821212	B-LIGHT GRAY	GCP	PLR	M-R	7	-	-	-	-	-	OBSOLETE	SEE 334826212	34950-1210	34950-1220
MX150 ASSY BLD 2X6 BR C/10	334821213	C-BROWN	GCP	PLR	M-R	-	-	-	-	-	6	OBSOLETE		34950-1210	34950-1220
MX150 ASSY BLD 2X6 GR D/10	334821214	D-GREEN	GCP	PLR	M-R	-	-	-	-	-	6	OBSOLETE		34950-1210	34950-1220
MX150 ASSY BLD 2X6 BK A/9	334821216	A-BLACK	GCP	PLR	M-R	-	-	-	-	-	6	OBSOLETE	SEE 334826216	34950-1210	34950-1220
MX150 ASSY BLD 2X6 LG B/9	334821217	B-LIGHT GRAY	GCP	PLR	M-R	1	-	-	-	-	-	OBSOLETE	SEE 334826217	34950-1210	34950-1220
MX150 ASSY BLD 2X6 BR C/9	334821218	C-BROWN	GCP	PLR	M-R	-	-	-	-	-	6	OBSOLETE	SEE 334826320	34950-1210	34950-1220
MX150 ASSY BLD 2X6 GR D/9	334821219	D-GREEN	GCP	PLR	M-R	-	-	-	-	-	6	OBSOLETE	SEE 334826285	34950-1210	34950-1220
MX150 ASSY BLD 2X6 BK A/8	334821221	A-BLACK	GCP	PLR	M-R	1	-	-	-	-	6	OBSOLETE	SEE 334826221	34950-1210	34950-1220

ASSEMBLY DESCRIPTION	ASSEMBLY PART NUMBER	COMPONENT				BLOCKED TERMINALS						STATUS	COMMENT	OPTIONAL ATTACHMENTS SOLD SEPARATELY	
		THE PRESENCE OF AN ABBREVIATION INDICATES THE PRESENCE OF THAT COMPONENT				CAVITY WITH A NUMBER INDICATES BLOCKED TERMINAL POSITION CAVITY WITHOUT A NUMBER INDICATES OPEN TERMINAL POSITION								BACKSHELL WITH RIBS	BACKSHELL WITHOUT RIBS
		HOUSING KEY/COLOR	GROMMET CAP	PLR	MAT SEAL	1	2	3	4	5	6				
MX150 ASSY BLD 2X6 LG B/8	334821222	B-LIGHT GRAY	GCP	PLR	M-R	1	-	-	-	-	6	OBSOLETE	SEE 334826222	34950-1210	34950-1220
						7	-	-	-	-	12				
MX150 ASSY BLD 2X6 BR C/8	334821223	C-BROWN	GCP	PLR	M-R	1	-	-	-	-	6	OBSOLETE		34950-1210	34950-1220
						7	-	-	-	-	12				
MX150 ASSY BLD 2X6 GR D/8	334821224	D-GREEN	GCP	PLR	M-R	1	-	-	-	-	6	OBSOLETE		34950-1210	34950-1220
						7	-	-	-	-	12				
MX150 ASSY BLD 2X6 BK A/10	334821226	A-BLACK	GCP	PLR	M-R	-	-	-	-	-	6	OBSOLETE	SEE 334826226	34950-1210	34950-1220
						-	-	-	-	-	12				
MX150 ASSY BLD 2X6 BK A/0	334821227	A-BLACK	GCP	PLR	M-R	1	2	3	4	5	6	OBSOLETE	SEE 334826227	34950-1210	34950-1220
						7	8	9	10	11	12				
MX150 ASSY BLD 2X6 LG B/0	334821228	B-LIGHT GRAY	GCP	PLR	M-R	1	2	3	4	5	6	OBSOLETE	SEE 334826228	34950-1210	34950-1220
						7	8	9	10	11	12				
MX150 ASSY BLD 2X6 BR C/0	334821229	C-BROWN	GCP	PLR	M-R	1	2	3	4	5	6	OBSOLETE	SEE 334826263	34950-1210	34950-1220
						7	8	9	10	11	12				
MX150 ASSY BLD 2X6 GR D/0	334821230	D-GREEN	GCP	PLR	M-R	1	2	3	4	5	6	OBSOLETE	SEE 334826264	34950-1210	34950-1220
						7	8	9	10	11	12				
MX150 ASSY BLD 2X6 BK A/8	334821232	A-BLACK	GCP	PLR	M-R	-	2	3	-	-	-	OBSOLETE	SEE 334826232	34950-1210	34950-1220
						-	8	-	-	11	-				
MX150 ASSY BLD 2X6 BK A/5	334821233	A-BLACK	GCP	PLR	M-R	-	2	3	-	5	6	OBSOLETE	SEE 334826233	34950-1210	34950-1220
						7	8	-	-	11	-				
MX150 ASSY BLD 2X6 BK A/10	334821234	A-BLACK	GCP	PLR	M-R	-	-	-	-	-	6	OBSOLETE	SEE 334826211	34950-1210	34950-1220
						7	-	-	-	-	-				
MX150 ASSY BLD 2X6 BK A/5	334821235	A-BLACK	GCP	PLR	M-R	-	2	3	-	-	6	OBSOLETE	SEE 334826235	34950-1210	34950-1220
						7	8	-	10	11	-				
MX150 ASSY BLD 2X6 LG B/5	334821236	B-LIGHT GRAY	GCP	PLR	M-R	1	-	-	-	5	6	OBSOLETE	SEE 334826236	34950-1210	34950-1220
						7	8	9	10	-	-				
MX150 ASSY BLD 2X6 BK A/11	334821237	A-BLACK	GCP	PLR	M-R	-	2	-	-	-	-	OBSOLETE	SEE 334826237	34950-1210	34950-1220
						-	-	-	-	-	-				
MX150 ASSY BLD 2X6 LG B/9	334821238	B-LIGHT GRAY	GCP	PLR	M-R	-	2	-	-	-	-	OBSOLETE	SEE 334826238	34950-1210	34950-1220
						-	-	9	10	-	-				
MX150 ASSY BLD 2X6 BK A/7	334821239	A-BLACK	GCP	PLR	M-R	1	-	-	-	5	6	OBSOLETE	SEE 334826239	34950-1210	34950-1220
						7	8	-	-	-	-				
MX150 ASSY BLD 2X6 BK A/6	334821240	A-BLACK	GCP	PLR	M-R	-	2	3	-	-	-	OBSOLETE	SEE 334826240	34950-1210	34950-1220
						-	8	9	10	11	-				
MX150 ASSY BLD 2X6 BK A/7	334821241	A-BLACK	GCP	PLR	M-R	-	-	-	-	-	-	OBSOLETE	SEE 334826241	34950-1210	34950-1220
						7	8	9	10	11	-				
MX150 ASSY BLD 2X6 BK A/10	334821242	A-BLACK	GCP	PLR	M-R	-	-	-	-	-	-	OBSOLETE	SEE 334826242	34950-1210	34950-1220
						7	8	-	-	-	-				
MX150 ASSY BLD 2X6 BK A/9	334821243	A-BLACK	GCP	PLR	M-R	-	2	-	-	-	-	OBSOLETE	SEE 334826243	34950-1210	34950-1220
						-	-	9	10	-	-				
MX150 ASSY BLD 2X6 BK A/10	334821244	A-BLACK	GCP	PLR	M-R	-	2	-	4	-	-	OBSOLETE	SEE 334826244	34950-1210	34950-1220
						-	-	-	-	-	-				
MX150 ASSY BLD 2X6 BK A/8	334821245	A-BLACK	GCP	PLR	M-R	-	-	-	-	-	-	OBSOLETE	SEE 334826245	34950-1210	34950-1220
						-	-	9	10	11	12				
MX150 ASSY BLD 2X6 BK A/11	334821246	A-BLACK	GCP	PLR	M-R	-	-	-	-	-	-	OBSOLETE	SEE 334826246	34950-1210	34950-1220
						-	-	-	-	11	-				
MX150 ASSY BLD 2X6 BK A/7	334821247	A-BLACK	GCP	PLR	M-R	-	2	3	4	-	-	OBSOLETE	SEE 334826247	34950-1210	34950-1220
						7	8	-	-	-	-				
MX150 ASSY BLD 2X6 BK A/5	334821248	A-BLACK	GCP	PLR	M-R	1	-	3	4	5	6	OBSOLETE	SEE 334826248	34950-1210	34950-1220
						7	8	-	-	-	-				
MX150 ASSY BLD 2X6 BK A/9	334821249	A-BLACK	GCP	PLR	M-R	-	-	-	-	-	-	OBSOLETE	SEE 334826249	34950-1210	34950-1220
						-	-	-	10	11	12				
MX150 ASSY BLD 2X6 BK A/6	334821250	A-BLACK	GCP	PLR	M-R	-	-	-	4	5	6	OBSOLETE	SEE 334826250	34950-1210	34950-1220
						7	8	9	-	-	-				

ASSEMBLY DESCRIPTION	ASSEMBLY PART NUMBER	COMPONENT				BLOCKED TERMINALS						STATUS	COMMENT	OPTIONAL ATTACHMENTS SOLD SEPARATELY	
		THE PRESENCE OF AN ABBREVIATION INDICATES THE PRESENCE OF THAT COMPONENT				CAVITY WITH A NUMBER INDICATES BLOCKED TERMINAL POSITION CAVITY WITHOUT A NUMBER INDICATES OPEN TERMINAL POSITION								BACKSHELL WITH RIBS	BACKSHELL WITHOUT RIBS
		HOUSING KEY/COLOR	GROMMET CAP	PLR	MAT SEAL										
MX150 ASSY BLD 2X6 BK A/6	334821251	A-BLACK	GCP	PLR	M-R	-	2	-	4	5	-	OBSOLETE	SEE 334826251	34950-1210	34950-1220
MX150 ASSY BLD 2X6 BK A/11	334821252	A-BLACK	GCP	PLR	M-R	-	8	-	10	11	-	OBSOLETE	SEE 334826252	34950-1210	34950-1220
MX150 ASSY BLD 2X6 BK A/2	334821253	A-BLACK	GCP	PLR	M-R	-	2	3	4	5	6	OBSOLETE	SEE 334826253	34950-1210	34950-1220
MX150 ASSY BLD 2X6 BK A/5	334821254	A-BLACK	GCP	PLR	M-R	-	2	3	4	5	-	OBSOLETE	SEE 334826254	34950-1210	34950-1220
MX150 ASSY BLD 2X6 BK A/3	334821255	A-BLACK	GCP	PLR	M-R	-	2	3	4	5	6	OBSOLETE	SEE 334826255	34950-1210	34950-1220
MX150 ASSY BLD 2X6 BK A/8	334821256	A-BLACK	GCP	PLR	M-R	1	-	-	-	-	6	OBSOLETE	SEE 334826256	34950-1210	34950-1220
MX150 ASSY BLD 2X6 BK A/9	334821257	A-BLACK	GCP	PLR	M-R	-	-	-	-	-	-	OBSOLETE	SEE 334826257	34950-1210	34950-1220
MX150 ASSY BLD 2X6 BK A/9	334821258	A-BLACK	GCP	PLR	M-R	-	2	3	-	-	-	OBSOLETE	SEE 334826258	34950-1210	34950-1220
MX150 ASSY BLD 2X6 BK A/3	334821259	A-BLACK	GCP	PLR	M-R	1	2	3	4	5	-	OBSOLETE	SEE 334826259	34950-1210	34950-1220
MX150 ASSY BLD 2X6 BK A/10	334821260	A-BLACK	GCP	PLR	M-R	-	-	-	-	-	-	OBSOLETE	SEE 334826260	34950-1210	34950-1220
MX150 ASSY BLD 2X6 DG C/12	334821261	C-DARK GRAY	GCP	PLR	M-R	-	-	-	-	-	-	OBSOLETE	SEE 334826261	34950-1210	34950-1220
MX150 ASSY BLD 2X6 SG D/12	334821262	D-STONE GRAY	GCP	PLR	M-R	-	-	-	-	-	-	OBSOLETE	SEE 334826262	34950-1210	34950-1220
MX150 ASSY BLD 2X6 DG C/0	334821263	C-DARK GRAY	GCP	PLR	M-R	1	2	3	4	5	6	OBSOLETE	SEE 334826263	34950-1210	34950-1220
MX150 ASSY BLD 2X6 SG D/0	334821264	D-STONE GRAY	GCP	PLR	M-R	1	2	3	4	5	6	OBSOLETE	SEE 334826264	34950-1210	34950-1220
MX150 ASSY BLD 2X6 BK A/6	334821265	A-BLACK	GCP	PLR	M-R	-	-	-	-	-	6	OBSOLETE	SEE 334826265	34950-1210	34950-1220
MX150 ASSY BLD 2X6 BK A/4	334821266	A-BLACK	GCP	PLR	M-R	1	2	3	4	5	6	OBSOLETE	SEE 334826266	34950-1210	34950-1220
MX150 ASSY BLD 2X6 BK A/7	334821267	A-BLACK	GCP	PLR	M-R	-	-	3	4	5	6	OBSOLETE	SEE 334826267	34950-1210	34950-1220
MX150 ASSY BLD 2X6 BK A/3	334821268	A-BLACK	GCP	PLR	M-R	-	-	3	4	5	6	OBSOLETE	SEE 334826268	34950-1210	34950-1220
MX150 ASSY BLD 2X6 BK A/2	334821269	A-BLACK	GCP	PLR	M-R	1	2	3	4	5	-	OBSOLETE	SEE 334826269	34950-1210	34950-1220
MX150 ASSY BLD 2X6 BK A/6	334821270	A-BLACK	GCP	PLR	M-R	-	2	-	4	-	-	OBSOLETE	SEE 334826270	34950-1210	34950-1220
MX150 ASSY BLD 2X6 BK A/8	334821271	A-BLACK	GCP	PLR	M-R	-	2	-	-	-	-	OBSOLETE	SEE 334826271	34950-1210	34950-1220
MX150 ASSY BLD 2X6 BK A/7	334821272	A-BLACK	GCP	PLR	M-R	-	2	-	-	-	-	OBSOLETE	SEE 334826272	34950-1210	34950-1220
MX150 ASSY BLD 2X6 BK A/11	334821273	A-BLACK	GCP	PLR	M-R	-	-	-	-	-	-	OBSOLETE	SEE 334826273	34950-1210	34950-1220
MX150 ASSY BLD 2X6 BK A/3	334821274	A-BLACK	GCP	PLR	M-R	1	-	3	4	5	6	OBSOLETE	SEE 334826274	34950-1210	34950-1220
MX150 ASSY BLD 2X6 BK A/9	334821275	A-BLACK	GCP	PLR	M-R	-	-	-	4	-	-	OBSOLETE	SEE 334826275	34950-1210	34950-1220
MX150 ASSY BLD 2X6 BK A/3	334821276	A-BLACK	GCP	PLR	M-R	1	2	3	4	-	6	OBSOLETE	SEE 334826276	34950-1210	34950-1220
MX150 ASSY BLD 2X6 BK A/7	334821277	A-BLACK	GCP	PLR	M-R	1	2	3	-	-	-	OBSOLETE	SEE 334826277	34950-1210	34950-1220

ASSEMBLY DESCRIPTION	ASSEMBLY PART NUMBER	COMPONENT				BLOCKED TERMINALS						STATUS	COMMENT	OPTIONAL ATTACHMENTS SOLD SEPARATELY	
		THE PRESENCE OF AN ABBREVIATION INDICATES THE PRESENCE OF THAT COMPONENT				CAVITY WITH A NUMBER INDICATES BLOCKED TERMINAL POSITION CAVITY WITHOUT A NUMBER INDICATES OPEN TERMINAL POSITION								BACKSHELL WITH RIBS	BACKSHELL WITHOUT RIBS
		HOUSING KEY/COLOR	GROMMET CAP	PLR	MAT SEAL										
MX150 ASSY BLD 2X6 BK A/10	334821278	A-BLACK	GCP	PLR	M-R	-	-	-	-	-	6	OBSOLETE	SEE 334826226	34950-1210	34950-1220
MX150 ASSY BLD 2X6 BK A/2	334821279	A-BLACK	GCP	PLR	M-R	1	2	3	4	5	-	OBSOLETE	SEE 334826279	34950-1210	34950-1220
MX150 ASSY BLD 2X6 BK A/5	334821280	A-BLACK	GCP	PLR	M-R	1	2	3	4	5	6	OBSOLETE	SEE 334826280	34950-1210	34950-1220
MX150 ASSY BLD 2X6 BK A/6	334821281	A-BLACK	GCP	PLR	M-R	-	2	-	4	-	6	OBSOLETE	SEE 334826281	34950-1210	34950-1220
MX150 ASSY BLD 2X6 BK A/2	334821282	A-BLACK	GCP	PLR	M-R	1	2	3	4	5	6	OBSOLETE	SEE 334826282	34950-1210	34950-1220
MX150 ASSY BLD 2X6 BK A/7	334821283	A-BLACK	GCP	PLR	M-R	-	-	-	-	-	6	OBSOLETE	SEE 334826283	34950-1210	34950-1220
MX150 ASSY BLD 2X6 BK A/2	334821284	A-BLACK	GCP	PLR	M-R	1	-	3	4	5	6	OBSOLETE	SEE 334826284	34950-1210	34950-1220
MX150 ASSY BLD 2X6 SG D/9	334821285	D-STONE GRAY	GCP	PLR	M-R	1	-	-	-	-	6	OBSOLETE	SEE 334826285	34950-1210	34950-1220
MX150 ASSY BLD 2X6 BK A/8	334821286	A-BLACK	GCP	PLR	M-R	-	2	3	-	-	-	OBSOLETE	SEE 334826286	34950-1210	34950-1220
MX150 ASSY BLD 2X6 BK A/10	334821287	A-BLACK	GCP	PLR	M-R	1	-	-	-	-	-	OBSOLETE	SEE 334826287	34950-1210	34950-1220
MX150 ASSY BLD 2X6 BK A/10	334821288	A-BLACK	GCP	PLR	M-R	1	-	-	-	-	6	OBSOLETE	SEE 334826288	34950-1210	34950-1220
MX150 ASSY BLD 2X6 BK A/5	334821289	A-BLACK	GCP	PLR	M-R	1	2	3	4	5	6	OBSOLETE	SEE 334826289	34950-1210	34950-1220
MX150 ASSY BLD 2X6 BK A/9	334821290	A-BLACK	GCP	PLR	M-R	1	-	-	-	-	-	OBSOLETE	SEE 334826290	34950-1210	34950-1220
MX150 ASSY BLD 2X6 BK A/3	334821291	A-BLACK	GCP	PLR	M-R	1	2	3	4	5	6	OBSOLETE	SEE 334826291	34950-1210	34950-1220
MX150 ASSY BLD 2X6 BK A/11	334821292	A-BLACK	GCP	PLR	M-R	-	-	-	-	-	-	OBSOLETE	SEE 334826292	34950-1210	34950-1220
MX150 ASSY BLD 2X6 BK A/6	334821293	A-BLACK	GCP	PLR	M-R	-	-	3	4	-	-	OBSOLETE	SEE 334826293	34950-1210	34950-1220
MX150 ASSY BLD 2X6 BK A/6	334821294	A-BLACK	GCP	PLR	M-R	1	2	-	-	5	6	OBSOLETE	SEE 334826294	34950-1210	34950-1220
MX150 ASSY BLD 2X6 BK A/4	334821295	A-BLACK	GCP	PLR	M-R	1	2	-	-	5	6	OBSOLETE	SEE 334826295	34950-1210	34950-1220
MX150 ASSY BLD 2X6 BK A/2	334821296	A-BLACK	GCP	PLR	M-R	1	2	3	4	5	6	OBSOLETE	SEE 334826296	34950-1210	34950-1220
MX150 ASSY BLD 2X6 BK A/7	334821297	A-BLACK	GCP	PLR	M-R	-	-	-	4	-	6	OBSOLETE	SEE 334826297	34950-1210	34950-1220
MX150 ASSY BLD 2X6 BK A/9	334821298	A-BLACK	GCP	PLR	M-R	-	-	-	-	-	6	OBSOLETE	SEE 334826298	34950-1210	34950-1220
MX150 ASSY BLD 2X6 BK A/8	334821299	A-BLACK	GCP	PLR	M-R	1	2	-	-	-	-	OBSOLETE	SEE 334826299	34950-1210	34950-1220
MX150 ASSY BLD 2X6 BK A/5	334821300	A-BLACK	GCP	PLR	M-R	1	2	3	-	-	-	OBSOLETE	SEE 334826300	34950-1210	34950-1220
MX150 ASSY BLD 2X6 BK A/7	334821301	A-BLACK	GCP	PLR	M-R	1	2	-	-	-	-	OBSOLETE	SEE 334826301	34950-1210	34950-1220
MX150 ASSY BLD 2X6 LG B/10	334821302	B-LIGHT GRAY	GCP	PLR	M-R	-	-	-	-	-	-	OBSOLETE	SEE 334826302	34950-1210	34950-1220
MX150 ASSY BLD 2X6 BK A/3	334821303	A-BLACK	GCP	PLR	M-R	1	2	3	4	-	-	OBSOLETE	SEE 334826303	34950-1210	34950-1220
MX150 ASSY BLD 2X6 BK A/4	334821304	A-BLACK	GCP	PLR	M-R	1	2	3	4	-	-	OBSOLETE	SEE 334826304	34950-1210	34950-1220

ASSEMBLY DESCRIPTION	ASSEMBLY PART NUMBER	COMPONENT				BLOCKED TERMINALS						STATUS	COMMENT	OPTIONAL ATTACHMENTS SOLD SEPARATELY	
		THE PRESENCE OF AN ABBREVIATION INDICATES THE PRESENCE OF THAT COMPONENT				CAVITY WITH A NUMBER INDICATES BLOCKED TERMINAL POSITION CAVITY WITHOUT A NUMBER INDICATES OPEN TERMINAL POSITION								BACKSHELL WITH RIBS	BACKSHELL WITHOUT RIBS
		HOUSING KEY/COLOR	GROMMET CAP	PLR	MAT SEAL										
MX150 ASSY BLD 2X6 LG B/9	334821305	B-LIGHT GRAY	GCP	PLR	M-R	-	-	-	-	-	-	OBSOLETE	SEE 334826305	34950-1210	34950-1220
MX150 ASSY BLD 2X6 LG B/2	334821306	B-LIGHT GRAY	GCP	PLR	M-R	1	2	3	4	5	6	OBSOLETE	SEE 334826306	34950-1210	34950-1220
MX150 ASSY BLD 2X6 BK A/5	334821307	A-BLACK	GCP	PLR	M-R	1	2	3	4	5	-	OBSOLETE	SEE 334826307	34950-1210	34950-1220
MX150 ASSY BLD 2X6 BK A/6	334821308	A-BLACK	GCP	PLR	M-R	-	-	-	-	-	-	OBSOLETE	SEE 334826308	34950-1210	34950-1220
MX150 ASSY BLD 2X6 BK A/8	334821309	A-BLACK	GCP	PLR	M-R	1	-	-	-	-	-	OBSOLETE	SEE 334826309	34950-1210	34950-1220
MX150 ASSY BLD 2X6 BK A/9	334821310	A-BLACK	GCP	PLR	M-R	1	-	-	4	-	-	OBSOLETE	SEE 334826310	34950-1210	34950-1220
MX150 ASSY BLD 2X6 BK A/2	334821311	A-BLACK	GCP	PLR	M-R	1	2	-	4	5	6	OBSOLETE	SEE 334826311	34950-1210	34950-1220
MX150 ASSY BLD 2X6 BK A/10	334821312	A-BLACK	GCP	PLR	M-R	-	-	-	-	-	-	OBSOLETE	SEE 334826312	34950-1210	34950-1220
MX150 ASSY BLD 2X6 BK A/4	334821313	A-BLACK	GCP	PLR	M-R	-	-	3	4	5	6	OBSOLETE	SEE 334826313	34950-1210	34950-1220
MX150 ASSY BLD 2X6 BK A/6	334821314	A-BLACK	GCP	PLR	M-R	-	-	3	-	-	6	OBSOLETE	SEE 334826314	34950-1210	34950-1220
MX150 ASSY BLD 2X6 BK A/8	334821315	A-BLACK	GCP	PLR	M-R	-	-	-	-	-	6	OBSOLETE	SEE 334826315	34950-1210	34950-1220
MX150 ASSY BLD 2X6 BK A/7	334821316	A-BLACK	GCP	PLR	M-R	-	-	-	-	5	6	OBSOLETE	SEE 334826316	34950-1210	34950-1220
MX150 ASSY BLD 2X6 BK A/10	334821317	A-BLACK	GCP	PLR	M-R	1	2	-	-	-	-	OBSOLETE	SEE 334826317	34950-1210	34950-1220
MX150 ASSY BLD 2X6 BK A/4	334821318	A-BLACK	GCP	PLR	M-R	1	2	3	4	5	6	OBSOLETE	SEE 334826318	34950-1210	34950-1220
MX150 ASSY BLD 2X6 BK A/3	334821319	A-BLACK	GCP	PLR	M-R	1	2	3	4	5	6	OBSOLETE	SEE 334826319	34950-1210	34950-1220
MX150 ASSY BLD 2X6 DG C/9	334821320	C-DARK GRAY	GCP	PLR	M-R	1	-	-	-	-	6	OBSOLETE	SEE 334826320	34950-1210	34950-1220
MX150 ASSY BLD 2X6 BR C/6	334821321	C-BROWN	GCP	PLR	M-R	1	2	3	4	5	6	OBSOLETE	SEE 334826328	34950-1210	34950-1220
MX150 ASSY BLD 2X6 BR C/8	334821322	C-BROWN	GCP	PLR	M-R	1	2	-	-	5	6	OBSOLETE	SEE 334826329	34950-1210	34950-1220
MX150 ASSY BLD 2X6 BK A/6	334821323	A-BLACK	GCP	PLR	M-R	-	-	3	-	-	-	OBSOLETE	SEE 334826323	34950-1210	34950-1220
MX150 ASSY BLD 2X6 BK A/7	334821324	A-BLACK	GCP	PLR	M-R	-	-	3	-	-	-	OBSOLETE	SEE 334826324	34950-1210	34950-1220
MX150 ASSY BLD 2X6 BK A/10	334821325	A-BLACK	GCP	PLR	M-R	-	-	3	-	-	-	OBSOLETE	SEE 334826325	34950-1210	34950-1220
MX150 ASSY BLD 2X6 BK A/7	334821326	A-BLACK	GCP	PLR	M-R	-	-	-	-	5	6	OBSOLETE	SEE 334826326	34950-1210	34950-1220
MX150 ASSY BLD 2X6 BK A/10	334821327	A-BLACK	GCP	PLR	M-R	-	-	-	-	-	-	OBSOLETE	SEE 334826327	34950-1210	34950-1220
MX150 ASSY BLD 2X6 DG C/6	334821328	C-DARK GRAY	GCP	PLR	M-R	1	2	3	4	5	6	OBSOLETE	SEE 334826328	34950-1210	34950-1220
MX150 ASSY BLD 2X6 DG C/8	334821329	C-DARK GRAY	GCP	PLR	M-R	1	2	-	-	5	6	OBSOLETE	SEE 334826329	34950-1210	34950-1220
MX150 ASSY BLD 2X6 BK A/4	334821330	A-BLACK	GCP	PLR	M-R	1	2	3	4	-	-	OBSOLETE	SEE 334826330	34950-1210	34950-1220
MX150 ASSY BLD 2X6 BK A/6	334821331	A-BLACK	GCP	PLR	M-R	1	2	-	-	-	6	OBSOLETE	SEE 334826331	34950-1210	34950-1220

ASSEMBLY DESCRIPTION	ASSEMBLY PART NUMBER	COMPONENT				BLOCKED TERMINALS						STATUS	COMMENT	OPTIONAL ATTACHMENTS SOLD SEPARATELY	
		THE PRESENCE OF AN ABBREVIATION INDICATES THE PRESENCE OF THAT COMPONENT				CAVITY WITH A NUMBER INDICATES BLOCKED TERMINAL POSITION CAVITY WITHOUT A NUMBER INDICATES OPEN TERMINAL POSITION								BACKSHELL WITH RIBS	BACKSHELL WITHOUT RIBS
		HOUSING KEY/COLOR	GROMMET CAP	PLR	MAT SEAL										
MX150 ASSY BLD 2X6 BK A/6	334821332	A-BLACK	GCP	PLR	M-R	-	-	-	4	5	-	OBSOLETE	SEE 334826332	34950-1210	34950-1220
MX150 ASSY BLD 2X6 BK A/9	334821333	A-BLACK	GCP	PLR	M-R	-	-	-	4	-	-	OBSOLETE	SEE 334826333	34950-1210	34950-1220
MX150 ASSY BLD 2X6 BK A/8	334821334	A-BLACK	GCP	PLR	M-R	-	-	-	4	5	-	OBSOLETE	SEE 334826334	34950-1210	34950-1220
MX150 ASSY BLD 2X6 BK A/5	334821335	A-BLACK	GCP	PLR	M-R	1	2	-	4	5	6	OBSOLETE	SEE 334826335	34950-1210	34950-1220
MX150 ASSY BLD 2X6 YW A/12	334821336	A-YELLOW	GCP	PLR	M-R	-	-	-	-	-	-	OBSOLETE	SEE 334826336	34950-1210	34950-1220
MX150 ASSY BLD 2X6 LG B/10	334821337	B-LIGHT GRAY	GCP	PLR	M-R	-	-	-	-	5	-	OBSOLETE	SEE 334826337	34950-1210	34950-1220
MX150 ASSY BLD 2X6 LG B/8	334821338	B-LIGHT GRAY	GCP	PLR	M-R	-	-	-	-	5	-	OBSOLETE	SEE 334826338	34950-1210	34950-1220
MX150 ASSY BLD 2X6 LG B/4	334821339	B-LIGHT GRAY	GCP	PLR	M-R	-	-	3	4	5	-	OBSOLETE	SEE 334826339	34950-1210	34950-1220
MX150 ASSY BLD 2X6 LG B/2	334821340	B-LIGHT GRAY	GCP	PLR	M-R	1	2	3	4	5	-	OBSOLETE	SEE 334826340	34950-1210	34950-1220
MX150 ASSY BLD 2X6 BK A/6	334821341	A-BLACK	GCP	PLR	M-R	1	2	3	-	5	-	OBSOLETE	SEE 334826341	34950-1210	34950-1220
MX150 ASSY BLD 2X6 BK A/8	334821342	A-BLACK	GCP	PLR	M-R	-	2	3	-	5	-	OBSOLETE	SEE 334826342	34950-1210	34950-1220
MX150 ASSY BLD 2X6 BK A/7	334821343	A-BLACK	GCP	PLR	M-R	1	2	3	-	-	-	OBSOLETE	SEE 334826343	34950-1210	34950-1220
MX150 ASSY BLD 2X6 BK A/4	334821344	A-BLACK	GCP	PLR	M-R	1	2	3	4	5	-	OBSOLETE	SEE 334826344	34950-1210	34950-1220
MX150 ASSY BLD 2X6 BK A/6	334821345	A-BLACK	GCP	PLR	M-R	-	2	3	4	5	-	OBSOLETE	SEE 334826345	34950-1210	34950-1220
MX150 ASSY BLD 2X6 BK A/11	334821346	A-BLACK	GCP	PLR	M-R	1	-	-	-	-	-	OBSOLETE	SEE 334826346	34950-1210	34950-1220
MX150 ASSY BLD 2X6 BK A/9	334821347	A-BLACK	GCP	PLR	M-R	1	2	3	-	-	-	OBSOLETE	SEE 334826347	34950-1210	34950-1220
MX150 ASSY BLD 2X6 LG B/5	334821348	B-LIGHT GRAY	GCP	PLR	M-R	1	2	3	4	-	6	OBSOLETE	SEE 334826348	34950-1210	34950-1220
MX150 ASSY BLD 2X6 BK A/9	334821349	A-BLACK	GCP	PLR	M-R	-	-	-	4	-	-	OBSOLETE	SEE 334826349	34950-1210	34950-1220
MX150 ASSY BLD 2X6 BK A/10	334821350	A-BLACK	GCP	PLR	M-R	-	2	-	-	-	-	OBSOLETE	SEE 334826350	34950-1210	34950-1220
MX150 ASSY BLD 2X6 BK A/8	334821351	A-BLACK	GCP	PLR	M-R	-	2	-	4	-	-	OBSOLETE	SEE 334826351	34950-1210	34950-1220
MX150 ASSY BLD 2X6 BK A/2	334821352	A-BLACK	GCP	PLR	M-R	1	2	3	4	5	6	OBSOLETE	SEE 334826352	34950-1210	34950-1220
MX150 ASSY BLD 2X6 BK A/7	334821353	A-BLACK	GCP	PLR	M-R	1	-	-	-	-	6	OBSOLETE	SEE 334826353	34950-1210	34950-1220
MX150 ASSY BLD 2X6 BK A/4	334821354	A-BLACK	GCP	PLR	M-R	-	2	3	4	-	6	OBSOLETE	SEE 334826354	34950-1210	34950-1220
MX150 ASSY BLD 2X6 BK A/6	334821355	A-BLACK	GCP	PLR	M-R	-	2	-	-	-	6	OBSOLETE	SEE 334826355	34950-1210	34950-1220
MX150 ASSY BLD 2X6 BK A/4	334821356	A-BLACK	GCP	PLR	M-R	1	2	3	4	-	6	OBSOLETE	SEE 334826356	34950-1210	34950-1220
MX150 ASSY BLD 2X6 BK A/10	334821357	A-BLACK	GCP	PLR	M-R	-	-	-	-	5	-	OBSOLETE	SEE 334826357	34950-1210	34950-1220
MX150 ASSY BLD 2X6 BK A/10	334821358	A-BLACK	GCP	PLR	M-R	-	-	-	4	-	-	OBSOLETE	SEE 334826358	34950-1210	34950-1220

ASSEMBLY DESCRIPTION	ASSEMBLY PART NUMBER	COMPONENT				BLOCKED TERMINALS						STATUS	COMMENT	OPTIONAL ATTACHMENTS SOLD SEPARATELY	
		THE PRESENCE OF AN ABBREVIATION INDICATES THE PRESENCE OF THAT COMPONENT				CAVITY WITH A NUMBER INDICATES BLOCKED TERMINAL POSITION CAVITY WITHOUT A NUMBER INDICATES OPEN TERMINAL POSITION								BACKSHELL WITH RIBS	BACKSHELL WITHOUT RIBS
		HOUSING KEY/COLOR	GROMMET CAP	PLR	MAT SEAL										
MX150 ASSY BLD 2X6 BK A/5	334821359	A-BLACK	GCP	PLR	M-R	-	-	-	4	-	-	OBSOLETE	SEE 334826359	34950-1210	34950-1220
						7	8	9	10	11	12				
MX150 ASSY BLD 2X6 BK A/5	334821360	A-BLACK	GCP	PLR	M-R	-	-	-	-	5	6	OBSOLETE	SEE 334826360	34950-1210	34950-1220
						-	8	9	10	11	12				
MX150 ASSY BLD 2X6 BK A/4	334821361	A-BLACK	GCP	PLR	M-R	-	-	-	4	5	6	OBSOLETE	SEE 334826361	34950-1210	34950-1220
						-	8	9	10	11	12				
MX150 ASSY BLD 2X6 BK A/2	334821362	A-BLACK	GCP	PLR	M-R	1	2	3	-	5	6	OBSOLETE	SEE 334826362	34950-1210	34950-1220
						7	8	9	-	11	12				
MX150 ASSY BLD 2X6 BK A/4	334821363	A-BLACK	GCP	PLR	M-R	-	-	-	4	5	-	OBSOLETE	SEE 334826363	34950-1210	34950-1220
						7	8	9	10	11	12				
MX150 ASSY BLD 2X6 BK A/8	334821364	A-BLACK	GCP	PLR	M-R	-	-	-	4	-	-	OBSOLETE	SEE 334826364	34950-1210	34950-1220
						7	-	9	10	-	-				
MX150 ASSY BLD 2X6 BK A/5	334821365	A-BLACK	GCP	PLR	M-R	-	-	-	-	-	6	OBSOLETE	SEE 334826365	34950-1210	34950-1220
						7	8	9	10	11	12				
MX150 ASSY BLD 2X6 BK A/6	334821366	A-BLACK	GCP	PLR	M-R	1	2	-	-	-	6	OBSOLETE	SEE 334826366	34950-1210	34950-1220
						7	-	-	-	11	12				
MX150 ASSY BLD 2X6 BK A/9	334821367	A-BLACK	GCP	PLR	M-R	-	-	-	-	5	-	OBSOLETE	SEE 334826367	34950-1210	34950-1220
						-	8	-	10	-	-				
MX150 ASSY BLD 2X6 BK A/2	334821368	A-BLACK	GCP	PLR	M-R	1	2	3	4	-	-	OBSOLETE	SEE 334826368	34950-1210	34950-1220
						7	8	9	10	11	12				
MX150 ASSY BLD 2X6 BK A/11	334821369	A-BLACK	GCP	PLR	M-R	-	-	-	4	-	-	OBSOLETE	SEE 334826369	34950-1210	34950-1220
						-	-	-	-	-	-				
MX150 ASSY BLD 2X6 BK A/4	334821370	A-BLACK	GCP	PLR	M-R	1	2	3	-	-	6	OBSOLETE	SEE 334826370	34950-1210	34950-1220
						7	-	-	10	11	12				
MX150 ASSY BLD 2X6 BK A/9	334821371	A-BLACK	GCP	PLR	M-R	-	-	-	-	-	-	OBSOLETE	SEE 334826371	34950-1210	34950-1220
						7	8	-	-	11	-				
MX150 ASSY BLD 2X6 BK A/6	334821372	A-BLACK	GCP	PLR	M-R	1	-	3	-	5	-	OBSOLETE	SEE 334826372	34950-1210	34950-1220
						-	8	-	10	-	12				
MX150 ASSY BLD 2X6 BK A/6	334821373	A-BLACK	GCP	PLR	M-R	-	2	-	4	-	6	OBSOLETE	SEE 334826373	34950-1210	34950-1220
						7	-	9	-	11	-				
MX150 ASSY BLD 2X6 BK A/8	334821374	A-BLACK	GCP	PLR	M-R	-	2	-	-	-	-	OBSOLETE	SEE 334826374	34950-1210	34950-1220
						-	-	-	10	11	12				
MX150 ASSY BLD 2X6 BK A/9	334821375	A-BLACK	GCP	PLR	M-R	-	-	-	-	-	-	OBSOLETE	SEE 334826375	34950-1210	34950-1220
						7	-	9	10	-	-				
MX150 ASSY BLD 2X6 BK A/9	334821376	A-BLACK	GCP	PLR	M-R	-	2	-	4	-	-	OBSOLETE	SEE 334826376	34950-1210	34950-1220
						7	-	-	-	-	-				
MX150 ASSY BLD 2X6 BK A/3	334821377	A-BLACK	GCP	PLR	M-R	1	2	3	4	-	6	OBSOLETE	SEE 334826377	34950-1210	34950-1220
						-	-	9	10	11	12				
MX150 ASSY BLD 2X6 BK A/7	334821378	A-BLACK	GCP	PLR	M-R	1	-	3	-	5	-	OBSOLETE	SEE 334826378	34950-1210	34950-1220
						-	-	-	-	11	12				
MX150 ASSY BLD 2X6 BK A/5	334821379	A-BLACK	GCP	PLR	M-R	1	-	3	-	5	-	OBSOLETE	SEE 334826379	34950-1210	34950-1220
						-	8	-	10	11	12				
MX150 ASSY BLD 2X6 BK A/9	334821380	A-BLACK	GCP	PLR	M-R	-	2	-	-	-	-	OBSOLETE	SEE 334826380	34950-1210	34950-1220
						7	8	-	-	-	-				
MX150 ASSY BLD 2X6 BK A/8	334821381	A-BLACK	GCP	PLR	M-R	-	2	-	4	-	-	OBSOLETE	SEE 334826381	34950-1210	34950-1220
						7	8	-	-	-	-				
MX150 ASSY BLD 2X6 BK A/6	334821382	A-BLACK	GCP	PLR	M-R	-	-	-	4	5	6	OBSOLETE	SEE 334826382	34950-1210	34950-1220
						-	8	-	10	11	-				
MX150 ASSY BLD 2X6 BK A/3	334821383	A-BLACK	GCP	PLR	M-R	1	2	3	4	-	-	OBSOLETE	SEE 334826383	34950-1210	34950-1220
						7	8	9	10	11	-				
MX150 ASSY BLD 2X6 BK A/8	334821384	A-BLACK	GCP	PLR	M-R	-	-	3	4	-	-	OBSOLETE	SEE 334826384	34950-1210	34950-1220
						-	-	9	10	-	-				
MX150 ASSY BLD 2X6 BK A/8	334821385	A-BLACK	GCP	PLR	M-R	-	-	3	4	-	-	OBSOLETE	SEE 334826385	34950-1210	34950-1220
						-	-	-	-	11	12				

ASSEMBLY DESCRIPTION	ASSEMBLY PART NUMBER	COMPONENT				BLOCKED TERMINALS						STATUS	COMMENT	OPTIONAL ATTACHMENTS SOLD SEPARATELY	
		THE PRESENCE OF AN ABBREVIATION INDICATES THE PRESENCE OF THAT COMPONENT				CAVITY WITH A NUMBER INDICATES BLOCKED TERMINAL POSITION CAVITY WITHOUT A NUMBER INDICATES OPEN TERMINAL POSITION								BACKSHELL WITH RIBS	BACKSHELL WITHOUT RIBS
		HOUSING KEY/COLOR	GROMMET CAP	PLR	MAT SEAL	1	2	3	4	-	6				
MX150 ASSY BLD 2X6 BK A/2	334821386	A-BLACK	GCP	PLR	M-R	1	2	3	4	-	6	OBSOLETE	SEE 334826386	34950-1210	34950-1220
MX150 ASSY BLD 2X6 BK A/2	334821387	A-BLACK	GCP	PLR	M-R	1	2	3	4	5	6	OBSOLETE	SEE 334826387	34950-1210	34950-1220
MX150 ASSY BLD 2X6 BK A/6	334821388	A-BLACK	GCP	PLR	M-R	1	2	3	-	-	-	OBSOLETE	SEE 334826388	34950-1210	34950-1220
MX150 ASSY BLD 2X6 BK A/6	334821389	A-BLACK	GCP	PLR	M-R	1	2	3	-	-	6	OBSOLETE	SEE 334826389	34950-1210	34950-1220
MX150 ASSY BLD 2X6 BK A/8	334821390	A-BLACK	GCP	PLR	M-R	1	-	3	4	-	-	OBSOLETE	SEE 334826390	34950-1210	34950-1220
MX150 ASSY BLD 2X6 BK A/5	334821391	A-BLACK	GCP	PLR	M-R	1	2	3	-	-	6	OBSOLETE	SEE 334826391	34950-1210	34950-1220
MX150 ASSY BLD 2X6 BK A/7	334821392	A-BLACK	GCP	PLR	M-R	1	-	3	4	-	-	OBSOLETE	SEE 334826392	34950-1210	34950-1220
MX150 ASSY BLD 2X6 BK A/7	334821393	A-BLACK	GCP	PLR	M-R	-	-	-	4	5	-	OBSOLETE	SEE 334826393	34950-1210	34950-1220
MX150 ASSY BLD 2X6 LG B/3	334821394	B-LIGHT GRAY	GCP	PLR	M-R	1	2	3	4	-	-	OBSOLETE	SEE 334826394	34950-1210	34950-1220
MX150 ASSY BLD 2X6 LG B/5	334821395	B-LIGHT GRAY	GCP	PLR	M-R	1	2	3	4	-	-	OBSOLETE	SEE 334826395	34950-1210	34950-1220
MX150 ASSY BLD 2X6 BK A/6	334821396	A-BLACK	GCP	PLR	M-R	1	-	-	-	-	6	OBSOLETE	SEE 334826396	34950-1210	34950-1220
MX150 ASSY BLD 2X6 BK A/9	334821397	A-BLACK	GCP	PLR	M-R	-	-	-	4	-	6	OBSOLETE	SEE 334826397	34950-1210	34950-1220
MX150 ASSY BLD 2X6 BK A/6	334821398	A-BLACK	GCP	PLR	M-R	-	-	-	4	5	6	OBSOLETE	SEE 334826398	34950-1210	34950-1220
MX150 ASSY BLD 2X6 BK A/2	334821399	A-BLACK	GCP	PLR	M-R	1	2	3	4	5	6	OBSOLETE	SEE 334826399	34950-1210	34950-1220
MX150 ASSY BLD 2X6 BK A/7	334821400	A-BLACK	GCP	PLR	M-R	1	2	3	-	-	-	OBSOLETE	SEE 334826400	34950-1210	34950-1220
MX150 ASSY BLD 2X6 BK A/5	334821401	A-BLACK	GCP	PLR	M-R	1	2	3	-	-	-	OBSOLETE	SEE 334826401	34950-1210	34950-1220
MX150 ASSY BLD 2X6 BK A/8	334821402	A-BLACK	GCP	PLR	M-R	-	-	-	4	5	6	OBSOLETE	SEE 334826402	34950-1210	34950-1220
MX150 ASSY BLD 2X6 BK A/4	334821403	A-BLACK	GCP	PLR	M-R	-	-	-	-	5	6	OBSOLETE	SEE 334826403	34950-1210	34950-1220
MX150 ASSY BLD 2X6 BK A/7	334821404	A-BLACK	GCP	PLR	M-R	-	-	-	-	5	6	OBSOLETE	SEE 334826404	34950-1210	34950-1220
MX150 ASSY BLD 2X6 BK A/9	334821405	A-BLACK	GCP	PLR	M-R	-	-	-	-	-	-	OBSOLETE	SEE 334826405	34950-1210	34950-1220
MX150 ASSY BLD 2X6 BK A/3	334821406	A-BLACK	GCP	PLR	M-R	-	2	3	-	5	6	OBSOLETE	SEE 334826406	34950-1210	34950-1220
MX150 ASSY BLD 2X6 BK A/8	334821407	A-BLACK	GCP	PLR	M-R	-	-	3	-	-	-	OBSOLETE	SEE 334826407	34950-1210	34950-1220
MX150 ASSY BLD 2X6 BK A/4	334821408	A-BLACK	GCP	PLR	M-R	-	-	-	4	5	6	OBSOLETE	SEE 334826408	34950-1210	34950-1220
MX150 ASSY BLD 2X6 BK A/3	334821409	A-BLACK	GCP	PLR	M-R	-	-	3	4	5	6	OBSOLETE	SEE 334826409	34950-1210	34950-1220
MX150 ASSY BLD 2X6 BK A/6	334821410	A-BLACK	GCP	PLR	M-R	1	2	3	4	-	-	OBSOLETE	SEE 334826410	34950-1210	34950-1220
MX150 ASSY BLD 2X6 BK A/9	334821411	A-BLACK	GCP	PLR	M-R	-	2	3	-	-	-	OBSOLETE	SEE 334826411	34950-1210	34950-1220
MX150 ASSY BLD 2X6 BK A/9	334821412	A-BLACK	GCP	PLR	M-R	-	-	-	-	-	-	OBSOLETE	SEE 334826412	34950-1210	34950-1220

ASSEMBLY DESCRIPTION	ASSEMBLY PART NUMBER	COMPONENT				BLOCKED TERMINALS						STATUS	COMMENT	OPTIONAL ATTACHMENTS SOLD SEPARATELY				
		THE PRESENCE OF AN ABBREVIATION INDICATES THE PRESENCE OF THAT COMPONENT				CAVITY WITH A NUMBER INDICATES BLOCKED TERMINAL POSITION CAVITY WITHOUT A NUMBER INDICATES OPEN TERMINAL POSITION								BACKSHELL WITH RIBS	BACKSHELL WITHOUT RIBS			
		HOUSING KEY/COLOR	GROMMET CAP	PLR	MAT SEAL	1	2	3	4	5	6					7	8	9
MX150 ASSY BLD 2X6 BK A/8	334821413	A-BLACK	GCP	PLR	M-R	1	-	3	-	5	-	-	-	-	-	-	34950-1210	34950-1220
MX150 ASSY BLD 2X6 BK A/6	334821414	A-BLACK	GCP	PLR	M-R	1	-	3	-	5	-	-	-	-	-	-	34950-1210	34950-1220
MX150 ASSY BLD 2X6 BK A/4	334821415	A-BLACK	GCP	PLR	M-R	-	2	3	-	5	6	-	-	-	-	-	34950-1210	34950-1220
MX150 ASSY BLD 2X6 BK A/5	334821416	A-BLACK	GCP	PLR	M-R	1	-	-	4	5	6	-	-	-	-	-	34950-1210	34950-1220
MX150 ASSY BLD 2X6 BK A/6	334821417	A-BLACK	GCP	PLR	M-R	1	-	-	4	5	-	-	-	-	-	-	34950-1210	34950-1220
MX150 ASSY BLD 2X6 BK A/3	334821418	A-BLACK	GCP	PLR	M-R	1	2	3	4	5	-	-	-	-	-	-	34950-1210	34950-1220
MX150 ASSY BLD 2X6 BK A/3	334821419	A-BLACK	GCP	PLR	M-R	-	2	3	-	5	6	-	-	-	-	-	34950-1210	34950-1220
MX150 ASSY BLD 2X6 BK A/6	334821420	A-BLACK	GCP	PLR	M-R	1	2	3	4	-	-	-	-	-	-	-	34950-1210	34950-1220
MX150 ASSY BLD 2X6 BK A/9	334821421	A-BLACK	GCP	PLR	M-R	-	2	3	-	-	-	-	-	-	-	-	34950-1210	34950-1220
MX150 ASSY BLD 2X6 BK A/9	334821422	A-BLACK	GCP	PLR	M-R	-	-	-	-	-	-	-	-	-	-	-	34950-1210	34950-1220
MX150 ASSY BLD 2X6 BK A/8	334821423	A-BLACK	GCP	PLR	M-R	1	-	3	-	5	-	-	-	-	-	-	34950-1210	34950-1220
MX150 ASSY BLD 2X6 BK A/6	334821424	A-BLACK	GCP	PLR	M-R	1	-	3	-	5	-	-	-	-	-	-	34950-1210	34950-1220
MX150 ASSY BLD 2X6 BK A/3	334821425	A-BLACK	GCP	PLR	M-R	-	2	-	4	-	6	-	-	-	-	-	34950-1210	34950-1220
MX150 ASSY BLD 2X6 BK A/8	334821426	A-BLACK	GCP	PLR	M-R	-	-	3	4	-	-	-	-	-	-	-	34950-1210	34950-1220
MX150 ASSY BLD 2X6 BK A/6	334821427	A-BLACK	GCP	PLR	M-R	-	-	3	4	-	-	-	-	-	-	-	34950-1210	34950-1220
MX150 ASSY BLD 2X6 BK A/4	334821428	A-BLACK	GCP	PLR	M-R	1	2	-	-	5	6	-	-	-	-	-	34950-1210	34950-1220
MX150 ASSY BLD 2X6 BK A/10	334821429	A-BLACK	GCP	PLR	M-R	-	-	-	-	-	-	-	-	-	-	-	34950-1210	34950-1220
MX150 ASSY BLD 2X6 BK A/6	334821430	A-BLACK	GCP	PLR	M-R	-	-	3	4	5	6	-	-	-	-	-	34950-1210	34950-1220
MX150 ASSY BLD 2X6 LG B/5	334821431	B-LIGHT GRAY	GCP	PLR	M-R	1	2	3	4	-	-	-	-	-	-	-	34950-1210	34950-1220
MX150 ASSY BLD 2X6 LG B/7	334821432	B-LIGHT GRAY	GCP	PLR	M-R	1	2	3	4	-	-	-	-	-	-	-	34950-1210	34950-1220
MX150 ASSY BLD 2X6 BK A/9	334821433	A-BLACK	GCP	PLR	M-R	-	-	-	-	-	-	-	-	-	-	-	34950-1210	34950-1220
MX150 ASSY BLD 2X6 LG B/8	334821434	B-LIGHT GRAY	GCP	PLR	M-R	-	-	-	-	-	-	-	-	-	-	-	34950-1210	34950-1220
MX150 ASSY BLD 2X6 BK A/6	334821435	A-BLACK	GCP	PLR	M-R	-	-	-	-	-	-	-	-	-	-	-	34950-1210	34950-1220
MX150 ASSY BLD 2X6 BK A/6	334821436	A-BLACK	GCP	PLR	M-R	-	2	-	-	-	-	-	-	-	-	-	34950-1210	34950-1220
MX150 ASSY BLD 2X6 BK A/9	334821437	A-BLACK	GCP	PLR	M-R	-	2	-	-	-	-	-	-	-	-	-	34950-1210	34950-1220
MX150 ASSY BLD 2X6 LG B/5	334821438	B-LIGHT GRAY	GCP	PLR	M-R	1	2	3	4	-	-	-	-	-	-	-	34950-1210	34950-1220
MX150 ASSY BLD 2X6 LG B/7	334821439	B-LIGHT GRAY	GCP	PLR	M-R	1	2	3	4	-	-	-	-	-	-	-	34950-1210	34950-1220

ASSEMBLY DESCRIPTION	ASSEMBLY PART NUMBER	COMPONENT				BLOCKED TERMINALS						STATUS	COMMENT	OPTIONAL ATTACHMENTS SOLD SEPARATELY	
		THE PRESENCE OF AN ABBREVIATION INDICATES THE PRESENCE OF THAT COMPONENT				CAVITY WITH A NUMBER INDICATES BLOCKED TERMINAL POSITION CAVITY WITHOUT A NUMBER INDICATES OPEN TERMINAL POSITION								BACKSHELL WITH RIBS	BACKSHELL WITHOUT RIBS
		HOUSING KEY/COLOR	GROMMET CAP	PLR	MAT SEAL	1	2	3	4	5	6				
MX150 ASSY BLD 2X6 BK A/7	334821440	A-BLACK	GCP	PLR	M-R	1	2	-	-	-	6	OBSOLETE	SEE 334826440	34950-1210	34950-1220
MX150 ASSY BLD 2X6 BK A/4	334821441	A-BLACK	GCP	PLR	M-R	1	2	3	-	-	6	OBSOLETE	SEE 334826370	34950-1210	34950-1220
MX150 ASSY BLD 2X6 BK A/8	334821442	A-BLACK	GCP	PLR	M-R	-	2	-	4	-	6	OBSOLETE	SEE 334826442	34950-1210	34950-1220
MX150 ASSY BLD 2X6 BK A/9	334821443	A-BLACK	GCP	PLR	M-R	-	2	-	4	-	6	OBSOLETE	SEE 334826443	34950-1210	34950-1220
MX150 ASSY BLD 2X6 BK A/7	334821444	A-BLACK	GCP	PLR	M-R	-	-	3	4	-	6	OBSOLETE	SEE 334826444	34950-1210	34950-1220
MX150 ASSY BLD 2X6 BK A/6	334821445	A-BLACK	GCP	PLR	M-R	-	-	-	4	-	-	OBSOLETE	SEE 334826445	34950-1210	34950-1220
MX150 ASSY BLD 2X6 DG C/10	334821446	C-DARK GRAY	GCP	PLR	M-R	-	-	3	4	-	-	OBSOLETE	SEE 334826446	34950-1210	34950-1220
MX150 ASSY BLD 2X6 BK A/5	334821447	A-BLACK	GCP	PLR	M-R	1	2	3	-	-	6	OBSOLETE	SEE 334826447	34950-1210	34950-1220
MX150 ASSY BLD 2X6 BK A/6	334821448	A-BLACK	GCP	PLR	M-R	-	-	-	-	5	6	OBSOLETE	SEE 334826448	34950-1210	34950-1220
MX150 ASSY BLD 2X6 LG B/8	334821449	B-LIGHT GRAY	GCP	PLR	M-R	-	-	-	-	-	-	OBSOLETE	SEE 334826449	34950-1210	34950-1220
MX150 ASSY BLD 2X6 BK A/3	334821450	A-BLACK	GCP	PLR	M-R	-	2	3	-	5	6	OBSOLETE	SEE 334826450	34950-1210	34950-1220
MX150 ASSY BLD 2X6 BK A/8	334821451	A-BLACK	GCP	PLR	M-R	-	-	-	-	5	6	OBSOLETE	SEE 334826451	34950-1210	34950-1220
MX150 ASSY BLD 2X6 BK A/5	334821452	A-BLACK	GCP	PLR	M-R	-	-	3	4	-	-	OBSOLETE	SEE 334826452	34950-1210	34950-1220
MX150 ASSY BLD 2X6 BK A/3	334821453	A-BLACK	GCP	PLR	M-R	1	2	3	4	-	-	OBSOLETE	SEE 334826453	34950-1210	34950-1220
MX150 ASSY BLD 2X6 BK A/5	334821454	A-BLACK	GCP	PLR	M-R	1	-	3	4	-	-	OBSOLETE	SEE 334826454	34950-1210	34950-1220
MX150 ASSY BLD 2X6 BK A/7	334821455	A-BLACK	GCP	PLR	M-R	1	-	-	4	-	-	OBSOLETE	SEE 334826455	34950-1210	34950-1220
MX150 ASSY BLD 2X6 BK A/6	334821456	A-BLACK	GCP	PLR	M-R	1	2	-	4	5	6	OBSOLETE	SEE 334826456	34950-1210	34950-1220
MX150 ASSY BLD 2X6 BK A/6	334821457	A-BLACK	GCP	PLR	M-R	-	2	-	4	5	6	OBSOLETE	SEE 334826457	34950-1210	34950-1220
MX150 ASSY BLD 2X6 BK A/9	334821458	A-BLACK	GCP	PLR	M-R	-	2	-	-	-	6	OBSOLETE	SEE 334826458	34950-1210	34950-1220
MX150 ASSY BLD 2X6 BK A/8	334821459	A-BLACK	GCP	PLR	M-R	-	-	3	-	-	-	OBSOLETE	SEE 334826459	34950-1210	34950-1220
MX150 ASSY BLD 2X6 BK A/8	334821460	A-BLACK	GCP	PLR	M-R	1	-	-	-	-	-	OBSOLETE	SEE 334826460	34950-1210	34950-1220
MX150 ASSY BLD 2X6 BK A/6	334821461	A-BLACK	GCP	PLR	M-R	-	2	-	-	5	6	OBSOLETE	SEE 334826461	34950-1210	34950-1220
MX150 ASSY BLD 2X6 BK A/4	334821462	A-BLACK	GCP	PLR	M-R	-	2	3	-	5	6	OBSOLETE	SEE 334826462	34950-1210	34950-1220
MX150 ASSY BLD 2X6 BK A/4	334821463	A-BLACK	GCP	PLR	M-R	1	2	-	4	5	6	OBSOLETE	SEE 334826463	34950-1210	34950-1220
MX150 ASSY BLD 2X6 BK A/2	334821464	A-BLACK	GCP	PLR	M-R	1	2	-	4	5	6	OBSOLETE	SEE 334826464	34950-1210	34950-1220
MX150 ASSY BLD 2X6 BK A/2	334821465	A-BLACK	GCP	PLR	M-R	1	2	3	4	5	6	OBSOLETE	SEE 334826465	34950-1210	34950-1220
MX150 ASSY BLD 2X6 BK A/11	334821466	A-BLACK	GCP	PLR	M-R	-	-	-	-	-	-	OBSOLETE	SEE 334826466	34950-1210	34950-1220

ASSEMBLY DESCRIPTION	ASSEMBLY PART NUMBER	COMPONENT				BLOCKED TERMINALS						STATUS	COMMENT	OPTIONAL ATTACHMENTS SOLD SEPARATELY	
		THE PRESENCE OF AN ABBREVIATION INDICATES THE PRESENCE OF THAT COMPONENT				CAVITY WITH A NUMBER INDICATES BLOCKED TERMINAL POSITION CAVITY WITHOUT A NUMBER INDICATES OPEN TERMINAL POSITION								BACKSHELL WITH RIBS	BACKSHELL WITHOUT RIBS
		HOUSING KEY/COLOR	GROMMET CAP	PLR	MAT SEAL										
MX150 ASSY BLD 2X6 BK A/9	334821467	A-BLACK	GCP	PLR	M-R	-	2	3	4	-	-	OBSOLETE	SEE 334826467	34950-1210	34950-1220
MX150 ASSY BLD 2X6 BK A/6	334821468	A-BLACK	GCP	PLR	M-R	-	-	-	4	5	-	OBSOLETE	SEE 334826468	34950-1210	34950-1220
MX150 ASSY BLD 2X6 BK A/9	334821469	A-BLACK	GCP	PLR	M-R	1	-	-	-	-	-	OBSOLETE	SEE 334826469	34950-1210	34950-1220
MX150 ASSY BLD 2X6 BK A/8	334821470	A-BLACK	GCP	PLR	M-R	-	-	-	-	-	-	OBSOLETE	SEE 334826470	34950-1210	34950-1220
MX150 ASSY BLD 2X6 DG C/9	334821471	C-DARK GRAY	GCP	PLR	M-R	-	-	3	4	-	-	OBSOLETE	SEE 334826471	34950-1210	34950-1220
MX150 ASSY BLD 2X6 BK A/4	334821472	A-BLACK	GCP	PLR	M-R	1	2	-	-	-	-	OBSOLETE	SEE 334826472	34950-1210	34950-1220
MX150 ASSY BLD 2X6 BK A/7	334821473	A-BLACK	GCP	PLR	M-R	-	-	-	-	5	-	OBSOLETE	SEE 334826473	34950-1210	34950-1220
MX150 ASSY BLD 2X6 BK A/7	334821474	A-BLACK	GCP	PLR	M-R	1	2	-	-	5	-	OBSOLETE	SEE 334826474	34950-1210	34950-1220
MX150 ASSY BLD 2X6 BK A/11	334821475	A-BLACK	GCP	PLR	M-R	-	-	-	-	5	-	OBSOLETE	SEE 334826475	34950-1210	34950-1220
MX150 ASSY BLD 2X6 BK A/9	334821476	A-BLACK	GCP	PLR	M-R	-	-	3	4	5	-	OBSOLETE	SEE 334826476	34950-1210	34950-1220
MX150 ASSY BLD 2X6 BK A/5	334821477	A-BLACK	GCP	PLR	M-R	1	2	-	-	5	-	OBSOLETE	SEE 334826477	34950-1210	34950-1220
MX150 ASSY BLD 2X6 BK A/9	334821478	A-BLACK	GCP	PLR	M-R	-	-	-	-	5	-	OBSOLETE	SEE 334826478	34950-1210	34950-1220
MX150 ASSY BLD 2X6 BK A/9	334821479	A-BLACK	GCP	PLR	M-R	1	-	-	-	-	-	OBSOLETE	SEE 334826479	34950-1210	34950-1220
MX150 ASSY BLD 2X6 BK A/7	334821480	A-BLACK	GCP	PLR	M-R	1	-	-	4	5	6	OBSOLETE	SEE 334826480	34950-1210	34950-1220
MX150 ASSY BLD 2X6 BK A/5	334821481	A-BLACK	GCP	PLR	M-R	1	-	-	4	5	6	OBSOLETE	SEE 334826481	34950-1210	34950-1220
MX150 ASSY BLD 2X6 BK A/3	334821482	A-BLACK	GCP	PLR	M-R	1	2	3	4	5	6	OBSOLETE	SEE 334826482	34950-1210	34950-1220
MX150 ASSY BLD 2X6 LG B/6	334821483	B-LIGHT GRAY	GCP	PLR	M-R	1	-	-	-	-	6	OBSOLETE	SEE 334826483	34950-1210	34950-1220
MX150 ASSY BLD 2X6 LG B/4	334821484	B-LIGHT GRAY	GCP	PLR	M-R	1	-	-	-	-	6	OBSOLETE	SEE 334826484	34950-1210	34950-1220
MX150 ASSY BLD 2X6 LG B/3	334821485	B-LIGHT GRAY	GCP	PLR	M-R	1	-	-	-	5	6	OBSOLETE	SEE 334826485	34950-1210	34950-1220
MX150 ASSY BLD 2X6 BK A/3	334821486	A-BLACK	GCP	PLR	M-R	1	2	-	-	5	-	OBSOLETE	SEE 334826486	34950-1210	34950-1220
MX150 ASSY BLD 2X6 BK A/9	334821487	A-BLACK	GCP	PLR	M-R	-	-	-	-	-	-	OBSOLETE	SEE 334826487	34950-1210	34950-1220
MX150 ASSY BLD 2X6 BK A/7	334821489	A-BLACK	GCP	PLR	M-R	-	-	3	-	-	-	OBSOLETE	SEE 334826489	34950-1210	34950-1220
MX150 ASSY BLD 2X6 BK A/6	334821490	A-BLACK	GCP	PLR	M-R	1	2	3	4	-	-	OBSOLETE	SEE 334826490	34950-1210	34950-1220
MX150 ASSY BLD 2X6 BK A/7	334821491	A-BLACK	GCP	PLR	M-R	1	-	3	-	5	-	OBSOLETE	SEE 334826491	34950-1210	34950-1220
MX150 ASSY BLD 2X6 BK A/8	334821492	A-BLACK	GCP	PLR	M-R	-	2	-	-	-	6	OBSOLETE	SEE 334826492	34950-1210	34950-1220
MX150 ASSY BLD 2X6 BK A/6	334821493	A-BLACK	GCP	PLR	M-R	-	-	-	-	5	-	OBSOLETE	SEE 334826493	34950-1210	34950-1220
MX150 ASSY BLD 2X6 BK A/8	334821494	A-BLACK	GCP	PLR	M-R	-	-	-	-	5	-	OBSOLETE	SEE 334826494	34950-1210	34950-1220

ASSEMBLY DESCRIPTION	ASSEMBLY PART NUMBER	COMPONENT				BLOCKED TERMINALS						STATUS	COMMENT	OPTIONAL ATTACHMENTS SOLD SEPARATELY	
		THE PRESENCE OF AN ABBREVIATION INDICATES THE PRESENCE OF THAT COMPONENT				CAVITY WITH A NUMBER INDICATES BLOCKED TERMINAL POSITION CAVITY WITHOUT A NUMBER INDICATES OPEN TERMINAL POSITION								BACKSHELL WITH RIBS	BACKSHELL WITHOUT RIBS
		HOUSING KEY/COLOR	GROMMET CAP	PLR	MAT SEAL	1	2	3	4	5	6				
MX150 ASSY BLD 2X6 BK A/2	334821495	A-BLACK	GCP	PLR	M-R	1	2	3	4	5	6	OBSOLETE	SEE 334826495	34950-1210	34950-1220
MX150 ASSY BLD 2X6 BK A/3	334821496	A-BLACK	GCP	PLR	M-R	1	2	3	4	-	6	OBSOLETE	SEE 334826496	34950-1210	34950-1220
MX150 ASSY BLD 2X6 BK A/9	334821497	A-BLACK	GCP	PLR	M-R	-	-	-	-	-	-	OBSOLETE	SEE 334826497	34950-1210	34950-1220
MX150 ASSY BLD 2X6 BK A/3	334821498	A-BLACK	GCP	PLR	M-R	1	2	-	4	5	6	OBSOLETE	SEE 334826498	34950-1210	34950-1220
MX150 ASSY BLD 2X6 BK A/8	334821499	A-BLACK	GCP	PLR	M-R	-	-	3	-	-	-	OBSOLETE	SEE 334826499	34950-1210	34950-1220
MX150 ASSY BLD 2X6 BK A/8	334821500	A-BLACK	GCP	PLR	M-R	-	2	-	-	5	-	OBSOLETE	SEE 334826500	34950-1210	34950-1220
MX150 ASSY BLD 2X6 BK A/10	334821501	A-BLACK	GCP	PLR	M-R	-	-	-	4	-	-	OBSOLETE	SEE 334826501	34950-1210	34950-1220
MX150 ASSY BLD 2X6 BK A/9	334821502	A-BLACK	GCP	PLR	M-R	-	-	-	4	-	6	OBSOLETE	SEE 334826502	34950-1210	34950-1220
MX150 ASSY BLD 2X6 BK A/9	334821503	A-BLACK	GCP	PLR	M-R	-	-	-	-	-	6	OBSOLETE	SEE 334826503	34950-1210	34950-1220
MX150 ASSY BLD 2X6 BK A/2	334821504	A-BLACK	GCP	PLR	M-R	-	2	3	4	5	6	OBSOLETE	SEE 334826504	34950-1210	34950-1220
MX150 ASSY BLD 2X6 LG B/6	334821505	B-LIGHT GRAY	GCP	PLR	M-R	-	-	-	-	5	-	OBSOLETE	SEE 334826505	34950-1210	34950-1220
MX150 ASSY BLD 2X6 BK A/9	334821506	A-BLACK	GCP	PLR	M-R	-	-	-	-	-	-	OBSOLETE	SEE 334826506	34950-1210	34950-1220
MX150 ASSY BLD 2X6 BK A/6	334821507	A-BLACK	GCP	PLR	M-R	1	2	-	4	5	6	OBSOLETE	SEE 334826507	34950-1210	34950-1220
MX150 ASSY BLD 2X6 BK A/12	334826201	A-BLACK	GCP	PLR	M-B	-	-	-	-	-	-	SALEABLE		34950-1210	34950-1220
MX150 ASSY BLD 2X6 LG B/12	334826202	B-LIGHT GRAY	GCP	PLR	M-B	-	-	-	-	-	-	SALEABLE		34950-1210	34950-1220
MX150 ASSY BLD 2X6 BR C/12	334826203	C-BROWN	GCP	PLR	M-B	-	-	-	-	-	-	NOT RECOMMENDED	SEE 334826261	34950-1210	34950-1220
MX150 ASSY BLD 2X6 GR D/12	334826204	D-GREEN	GCP	PLR	M-B	-	-	-	-	-	-	NOT RECOMMENDED	SEE 334826262	34950-1210	34950-1220
MX150 ASSY BLD 2X6 BK A/11	334826206	A-BLACK	GCP	PLR	M-B	-	-	-	-	-	6	SALEABLE		34950-1210	34950-1220
MX150 ASSY BLD 2X6 LG B/11	334826207	B-LIGHT GRAY	GCP	PLR	M-B	-	-	-	-	-	6	SALEABLE		34950-1210	34950-1220
MX150 ASSY BLD 2X6 BR C/11	334826208	C-BROWN	GCP	PLR	M-B	-	-	-	-	-	6	NOT RECOMMENDED		34950-1210	34950-1220
MX150 ASSY BLD 2X6 GR D/11	334826209	D-GREEN	GCP	PLR	M-B	-	-	-	-	-	6	NOT RECOMMENDED		34950-1210	34950-1220
MX150 ASSY BLD 2X6 BK A/10	334826211	A-BLACK	GCP	PLR	M-B	-	-	-	-	-	6	SALEABLE		34950-1210	34950-1220
MX150 ASSY BLD 2X6 LG B/10	334826212	B-LIGHT GRAY	GCP	PLR	M-B	-	-	-	-	-	6	SALEABLE		34950-1210	34950-1220
MX150 ASSY BLD 2X6 BR C/10	334826213	C-BROWN	GCP	PLR	M-B	-	-	-	-	-	6	NOT RECOMMENDED		34950-1210	34950-1220
MX150 ASSY BLD 2X6 GR D/10	334826214	D-GREEN	GCP	PLR	M-B	-	-	-	-	-	6	NOT RECOMMENDED		34950-1210	34950-1220
MX150 ASSY BLD 2X6 BK A/9	334826216	A-BLACK	GCP	PLR	M-B	1	-	-	-	-	6	SALEABLE		34950-1210	34950-1220
MX150 ASSY BLD 2X6 LG B/9	334826217	B-LIGHT GRAY	GCP	PLR	M-B	1	-	-	-	-	6	SALEABLE		34950-1210	34950-1220

ASSEMBLY DESCRIPTION	ASSEMBLY PART NUMBER	COMPONENT				BLOCKED TERMINALS						STATUS	COMMENT	OPTIONAL ATTACHMENTS SOLD SEPARATELY	
		THE PRESENCE OF AN ABBREVIATION INDICATES THE PRESENCE OF THAT COMPONENT				CAVITY WITH A NUMBER INDICATES BLOCKED TERMINAL POSITION CAVITY WITHOUT A NUMBER INDICATES OPEN TERMINAL POSITION								BACKSHELL WITH RIBS	BACKSHELL WITHOUT RIBS
		HOUSING KEY/COLOR	GROMMET CAP	PLR	MAT SEAL	1	2	3	4	5	6				
MX150 ASSY BLD 2X6 BR C/9	334826218	C-BROWN	GCP	PLR	M-B	1	-	-	-	-	6	NOT RECOMMENDED	SEE 334826320	34950-1210	34950-1220
MX150 ASSY BLD 2X6 GR D/9	334826219	D-GREEN	GCP	PLR	M-B	1	-	-	-	-	6	NOT RECOMMENDED	SEE 334826285	34950-1210	34950-1220
MX150 ASSY BLD 2X6 BK A/8	334826221	A-BLACK	GCP	PLR	M-B	1	-	-	-	-	6	SALEABLE		34950-1210	34950-1220
MX150 ASSY BLD 2X6 LG B/8	334826222	B-LIGHT GRAY	GCP	PLR	M-B	1	-	-	-	-	6	SALEABLE		34950-1210	34950-1220
MX150 ASSY BLD 2X6 BR C/8	334826223	C-BROWN	GCP	PLR	M-B	1	-	-	-	-	6	NOT RECOMMENDED		34950-1210	34950-1220
MX150 ASSY BLD 2X6 GR D/8	334826224	D-GREEN	GCP	PLR	M-B	1	-	-	-	-	6	NOT RECOMMENDED		34950-1210	34950-1220
MX150 ASSY BLD 2X6 BK A/10	334826226	A-BLACK	GCP	PLR	M-B	-	-	-	-	-	6	SALEABLE		34950-1210	34950-1220
MX150 ASSY BLD 2X6 BK A/0	334826227	A-BLACK	GCP	PLR	M-B	1	2	3	4	5	6	SALEABLE		34950-1210	34950-1220
MX150 ASSY BLD 2X6 LG B/0	334826228	B-LIGHT GRAY	GCP	PLR	M-B	1	2	3	4	5	6	SALEABLE		34950-1210	34950-1220
MX150 ASSY BLD 2X6 BR C/0	334826229	C-BROWN	GCP	PLR	M-B	1	2	3	4	5	6	NOT RECOMMENDED	SEE 334826263	34950-1210	34950-1220
MX150 ASSY BLD 2X6 GR D/0	334826230	D-GREEN	GCP	PLR	M-B	1	2	3	4	5	6	NOT RECOMMENDED	SEE 334826264	34950-1210	34950-1220
MX150 ASSY BLD 2X6 BK A/8	334826232	A-BLACK	GCP	PLR	M-B	-	2	3	-	-	-	SALEABLE		34950-1210	34950-1220
MX150 ASSY BLD 2X6 BK A/5	334826233	A-BLACK	GCP	PLR	M-B	-	2	3	-	5	6	SALEABLE		34950-1210	34950-1220
MX150 ASSY BLD 2X6 BK A/10	334826234	A-BLACK	GCP	PLR	M-B	-	-	-	-	-	6	SALEABLE		34950-1210	34950-1220
MX150 ASSY BLD 2X6 BK A/5	334826235	A-BLACK	GCP	PLR	M-B	-	2	3	-	-	6	SALEABLE		34950-1210	34950-1220
MX150 ASSY BLD 2X6 LG B/5	334826236	B-LIGHT GRAY	GCP	PLR	M-B	1	-	-	-	5	6	SALEABLE		34950-1210	34950-1220
MX150 ASSY BLD 2X6 BK A/11	334826237	A-BLACK	GCP	PLR	M-B	-	2	-	-	-	-	SALEABLE		34950-1210	34950-1220
MX150 ASSY BLD 2X6 LG B/9	334826238	B-LIGHT GRAY	GCP	PLR	M-B	-	2	-	-	-	-	SALEABLE		34950-1210	34950-1220
MX150 ASSY BLD 2X6 BK A/7	334826239	A-BLACK	GCP	PLR	M-B	1	-	-	-	5	6	SALEABLE		34950-1210	34950-1220
MX150 ASSY BLD 2X6 BK A/6	334826240	A-BLACK	GCP	PLR	M-B	-	2	3	-	-	-	SALEABLE		34950-1210	34950-1220
MX150 ASSY BLD 2X6 BK A/7	334826241	A-BLACK	GCP	PLR	M-B	-	-	-	-	-	-	SALEABLE		34950-1210	34950-1220
MX150 ASSY BLD 2X6 BK A/10	334826242	A-BLACK	GCP	PLR	M-B	-	-	-	-	-	-	SALEABLE		34950-1210	34950-1220
MX150 ASSY BLD 2X6 BK A/9	334826243	A-BLACK	GCP	PLR	M-B	-	2	-	-	-	-	SALEABLE		34950-1210	34950-1220
MX150 ASSY BLD 2X6 BK A/10	334826244	A-BLACK	GCP	PLR	M-B	-	2	-	4	-	-	SALEABLE		34950-1210	34950-1220
MX150 ASSY BLD 2X6 BK A/8	334826245	A-BLACK	GCP	PLR	M-B	-	-	-	-	-	-	SALEABLE		34950-1210	34950-1220
MX150 ASSY BLD 2X6 BK A/11	334826246	A-BLACK	GCP	PLR	M-B	-	-	-	-	-	-	SALEABLE		34950-1210	34950-1220
MX150 ASSY BLD 2X6 BK A/7	334826247	A-BLACK	GCP	PLR	M-B	-	2	3	4	-	-	SALEABLE		34950-1210	34950-1220

ASSEMBLY DESCRIPTION	ASSEMBLY PART NUMBER	COMPONENT				BLOCKED TERMINALS						STATUS	COMMENT	OPTIONAL ATTACHMENTS SOLD SEPARATELY	
		THE PRESENCE OF AN ABBREVIATION INDICATES THE PRESENCE OF THAT COMPONENT				CAVITY WITH A NUMBER INDICATES BLOCKED TERMINAL POSITION CAVITY WITHOUT A NUMBER INDICATES OPEN TERMINAL POSITION								BACKSHELL WITH RIBS	BACKSHELL WITHOUT RIBS
		HOUSING KEY/COLOR	GROMMET CAP	PLR	MAT SEAL	1	2	3	4	5	6				
MX150 ASSY BLD 2X6 BK A/5	334826248	A-BLACK	GCP	PLR	M-B	1	-	3	4	5	6	SALEABLE		34950-1210	34950-1220
MX150 ASSY BLD 2X6 BK A/9	334826249	A-BLACK	GCP	PLR	M-B	7	8	-	-	-	-	SALEABLE		34950-1210	34950-1220
MX150 ASSY BLD 2X6 BK A/6	334826250	A-BLACK	GCP	PLR	M-B	-	-	-	4	5	6	SALEABLE		34950-1210	34950-1220
MX150 ASSY BLD 2X6 BK A/6	334826251	A-BLACK	GCP	PLR	M-B	7	8	9	-	-	-	SALEABLE		34950-1210	34950-1220
MX150 ASSY BLD 2X6 BK A/11	334826252	A-BLACK	GCP	PLR	M-B	-	2	-	4	5	-	SALEABLE		34950-1210	34950-1220
MX150 ASSY BLD 2X6 BK A/2	334826253	A-BLACK	GCP	PLR	M-B	-	8	-	10	11	-	SALEABLE		34950-1210	34950-1220
MX150 ASSY BLD 2X6 BK A/5	334826254	A-BLACK	GCP	PLR	M-B	7	-	-	-	-	-	SALEABLE		34950-1210	34950-1220
MX150 ASSY BLD 2X6 BK A/3	334826255	A-BLACK	GCP	PLR	M-B	-	2	3	4	5	6	SALEABLE		34950-1210	34950-1220
MX150 ASSY BLD 2X6 BK A/8	334826256	A-BLACK	GCP	PLR	M-B	-	-	-	10	11	12	SALEABLE		34950-1210	34950-1220
MX150 ASSY BLD 2X6 BK A/9	334826257	A-BLACK	GCP	PLR	M-B	1	-	-	-	-	6	SALEABLE		34950-1210	34950-1220
MX150 ASSY BLD 2X6 BK A/9	334826258	A-BLACK	GCP	PLR	M-B	7	-	9	-	-	-	SALEABLE		34950-1210	34950-1220
MX150 ASSY BLD 2X6 BK A/3	334826259	A-BLACK	GCP	PLR	M-B	-	-	9	10	-	12	SALEABLE		34950-1210	34950-1220
MX150 ASSY BLD 2X6 BK A/10	334826260	A-BLACK	GCP	PLR	M-B	-	2	3	-	-	-	SALEABLE		34950-1210	34950-1220
MX150 ASSY BLD 2X6 DG C/12	334826261	C-DARK GRAY	GCP	PLR	M-B	-	-	-	-	11	12	SALEABLE		34950-1210	34950-1220
MX150 ASSY BLD 2X6 SG D/12	334826262	D-STONE GRAY	GCP	PLR	M-B	-	-	-	-	-	-	SALEABLE		34950-1210	34950-1220
MX150 ASSY BLD 2X6 DG C/0	334826263	C-DARK GRAY	GCP	PLR	M-B	1	2	3	4	5	6	SALEABLE		34950-1210	34950-1220
MX150 ASSY BLD 2X6 SG D/0	334826264	D-STONE GRAY	GCP	PLR	M-B	7	8	9	10	11	12	SALEABLE		34950-1210	34950-1220
MX150 ASSY BLD 2X6 BK A/6	334826265	A-BLACK	GCP	PLR	M-B	-	-	-	-	-	6	SALEABLE		34950-1210	34950-1220
MX150 ASSY BLD 2X6 BK A/4	334826266	A-BLACK	GCP	PLR	M-B	7	8	9	10	11	-	SALEABLE		34950-1210	34950-1220
MX150 ASSY BLD 2X6 BK A/7	334826267	A-BLACK	GCP	PLR	M-B	1	2	3	4	5	6	SALEABLE		34950-1210	34950-1220
MX150 ASSY BLD 2X6 BK A/3	334826268	A-BLACK	GCP	PLR	M-B	7	-	-	-	-	12	SALEABLE		34950-1210	34950-1220
MX150 ASSY BLD 2X6 BK A/2	334826269	A-BLACK	GCP	PLR	M-B	-	-	3	4	5	6	SALEABLE		34950-1210	34950-1220
MX150 ASSY BLD 2X6 BK A/6	334826270	A-BLACK	GCP	PLR	M-B	7	8	9	10	11	12	SALEABLE		34950-1210	34950-1220
MX150 ASSY BLD 2X6 BK A/8	334826271	A-BLACK	GCP	PLR	M-B	-	2	-	4	-	-	SALEABLE		34950-1210	34950-1220
MX150 ASSY BLD 2X6 BK A/7	334826272	A-BLACK	GCP	PLR	M-B	7	8	9	10	-	-	SALEABLE		34950-1210	34950-1220
MX150 ASSY BLD 2X6 BK A/11	334826273	A-BLACK	GCP	PLR	M-B	-	2	-	-	-	-	SALEABLE		34950-1210	34950-1220
MX150 ASSY BLD 2X6 BK A/3	334826274	A-BLACK	GCP	PLR	M-B	7	8	9	10	-	-	SALEABLE		34950-1210	34950-1220
MX150 ASSY BLD 2X6 BK A/3	334826274	A-BLACK	GCP	PLR	M-B	1	-	3	4	5	6	SALEABLE		34950-1210	34950-1220
MX150 ASSY BLD 2X6 BK A/3	334826274	A-BLACK	GCP	PLR	M-B	-	8	-	10	11	12	SALEABLE		34950-1210	34950-1220

ASSEMBLY DESCRIPTION	ASSEMBLY PART NUMBER	COMPONENT				BLOCKED TERMINALS						STATUS	COMMENT	OPTIONAL ATTACHMENTS SOLD SEPARATELY	
		THE PRESENCE OF AN ABBREVIATION INDICATES THE PRESENCE OF THAT COMPONENT				CAVITY WITH A NUMBER INDICATES BLOCKED TERMINAL POSITION CAVITY WITHOUT A NUMBER INDICATES OPEN TERMINAL POSITION								BACKSHELL WITH RIBS	BACKSHELL WITHOUT RIBS
		HOUSING KEY/COLOR	GROMMET CAP	PLR	MAT SEAL										
MX150 ASSY BLD 2X6 BK A/9	334826275	A-BLACK	GCP	PLR	M-B	-	-	-	4	-	-	SALEABLE		34950-1210	34950-1220
MX150 ASSY BLD 2X6 BK A/3	334826276	A-BLACK	GCP	PLR	M-B	1	2	3	4	-	6	SALEABLE		34950-1210	34950-1220
MX150 ASSY BLD 2X6 BK A/7	334826277	A-BLACK	GCP	PLR	M-B	1	2	3	-	-	-	SALEABLE		34950-1210	34950-1220
MX150 ASSY BLD 2X6 BK A/10	334826278	A-BLACK	GCP	PLR	M-B	-	-	-	-	-	6	SALEABLE		34950-1210	34950-1220
MX150 ASSY BLD 2X6 BK A/2	334826279	A-BLACK	GCP	PLR	M-B	1	2	3	4	5	-	SALEABLE		34950-1210	34950-1220
MX150 ASSY BLD 2X6 BK A/5	334826280	A-BLACK	GCP	PLR	M-B	1	2	3	4	5	6	SALEABLE		34950-1210	34950-1220
MX150 ASSY BLD 2X6 BK A/6	334826281	A-BLACK	GCP	PLR	M-B	-	2	-	4	-	6	SALEABLE		34950-1210	34950-1220
MX150 ASSY BLD 2X6 BK A/2	334826282	A-BLACK	GCP	PLR	M-B	1	2	3	4	5	6	SALEABLE		34950-1210	34950-1220
MX150 ASSY BLD 2X6 BK A/7	334826283	A-BLACK	GCP	PLR	M-B	-	-	-	-	-	6	SALEABLE		34950-1210	34950-1220
MX150 ASSY BLD 2X6 BK A/2	334826284	A-BLACK	GCP	PLR	M-B	1	-	3	4	5	6	SALEABLE		34950-1210	34950-1220
MX150 ASSY BLD 2X6 SG D/9	334826285	D-STONE GRAY	GCP	PLR	M-B	1	-	-	-	-	6	SALEABLE		34950-1210	34950-1220
MX150 ASSY BLD 2X6 BK A/8	334826286	A-BLACK	GCP	PLR	M-B	-	2	3	-	-	-	SALEABLE		34950-1210	34950-1220
MX150 ASSY BLD 2X6 BK A/10	334826287	A-BLACK	GCP	PLR	M-B	1	-	-	-	-	-	SALEABLE		34950-1210	34950-1220
MX150 ASSY BLD 2X6 BK A/10	334826288	A-BLACK	GCP	PLR	M-B	1	-	-	-	-	6	SALEABLE		34950-1210	34950-1220
MX150 ASSY BLD 2X6 BK A/5	334826289	A-BLACK	GCP	PLR	M-B	1	2	3	4	5	6	SALEABLE		34950-1210	34950-1220
MX150 ASSY BLD 2X6 BK A/9	334826290	A-BLACK	GCP	PLR	M-B	1	-	-	-	-	-	SALEABLE		34950-1210	34950-1220
MX150 ASSY BLD 2X6 BK A/3	334826291	A-BLACK	GCP	PLR	M-B	1	2	3	4	5	6	SALEABLE		34950-1210	34950-1220
MX150 ASSY BLD 2X6 BK A/11	334826292	A-BLACK	GCP	PLR	M-B	-	-	-	-	-	-	SALEABLE		34950-1210	34950-1220
MX150 ASSY BLD 2X6 BK A/6	334826293	A-BLACK	GCP	PLR	M-B	-	-	3	4	-	-	SALEABLE		34950-1210	34950-1220
MX150 ASSY BLD 2X6 BK A/6	334826294	A-BLACK	GCP	PLR	M-B	1	2	-	-	5	6	SALEABLE		34950-1210	34950-1220
MX150 ASSY BLD 2X6 BK A/4	334826295	A-BLACK	GCP	PLR	M-B	1	2	-	-	5	6	SALEABLE		34950-1210	34950-1220
MX150 ASSY BLD 2X6 BK A/2	334826296	A-BLACK	GCP	PLR	M-B	1	2	3	4	5	6	SALEABLE		34950-1210	34950-1220
MX150 ASSY BLD 2X6 BK A/7	334826297	A-BLACK	GCP	PLR	M-B	-	-	-	4	-	6	SALEABLE		34950-1210	34950-1220
MX150 ASSY BLD 2X6 BK A/9	334826298	A-BLACK	GCP	PLR	M-B	-	-	-	-	-	6	SALEABLE		34950-1210	34950-1220
MX150 ASSY BLD 2X6 BK A/8	334826299	A-BLACK	GCP	PLR	M-B	1	2	-	-	-	-	SALEABLE		34950-1210	34950-1220
MX150 ASSY BLD 2X6 BK A/5	334826300	A-BLACK	GCP	PLR	M-B	1	2	3	-	-	-	SALEABLE		34950-1210	34950-1220
MX150 ASSY BLD 2X6 BK A/7	334826301	A-BLACK	GCP	PLR	M-B	1	2	-	-	-	-	SALEABLE		34950-1210	34950-1220

ASSEMBLY DESCRIPTION	ASSEMBLY PART NUMBER	COMPONENT				BLOCKED TERMINALS						STATUS	COMMENT	OPTIONAL ATTACHMENTS SOLD SEPARATELY	
		THE PRESENCE OF AN ABBREVIATION INDICATES THE PRESENCE OF THAT COMPONENT				CAVITY WITH A NUMBER INDICATES BLOCKED TERMINAL POSITION CAVITY WITHOUT A NUMBER INDICATES OPEN TERMINAL POSITION								BACKSHELL WITH RIBS	BACKSHELL WITHOUT RIBS
		HOUSING KEY/COLOR	GROMMET CAP	PLR	MAT SEAL										
MX150 ASSY BLD 2X6 LG B/10	334826302	B-LIGHT GRAY	GCP	PLR	M-B	-	-	-	-	-	-	SALEABLE		34950-1210	34950-1220
MX150 ASSY BLD 2X6 BK A/3	334826303	A-BLACK	GCP	PLR	M-B	1	2	3	4	-	-	SALEABLE		34950-1210	34950-1220
MX150 ASSY BLD 2X6 BK A/4	334826304	A-BLACK	GCP	PLR	M-B	1	2	3	4	-	-	SALEABLE		34950-1210	34950-1220
MX150 ASSY BLD 2X6 LG B/9	334826305	B-LIGHT GRAY	GCP	PLR	M-B	-	-	-	-	-	-	SALEABLE		34950-1210	34950-1220
MX150 ASSY BLD 2X6 LG B/2	334826306	B-LIGHT GRAY	GCP	PLR	M-B	1	2	3	4	5	6	SALEABLE		34950-1210	34950-1220
MX150 ASSY BLD 2X6 BK A/5	334826307	A-BLACK	GCP	PLR	M-B	1	2	3	4	5	-	SALEABLE		34950-1210	34950-1220
MX150 ASSY BLD 2X6 BK A/6	334826308	A-BLACK	GCP	PLR	M-B	-	-	-	-	-	-	SALEABLE		34950-1210	34950-1220
MX150 ASSY BLD 2X6 BK A/8	334826309	A-BLACK	GCP	PLR	M-B	1	-	-	-	-	-	SALEABLE		34950-1210	34950-1220
MX150 ASSY BLD 2X6 BK A/9	334826310	A-BLACK	GCP	PLR	M-B	1	-	-	4	-	-	SALEABLE		34950-1210	34950-1220
MX150 ASSY BLD 2X6 BK A/2	334826311	A-BLACK	GCP	PLR	M-B	1	2	-	4	5	6	SALEABLE		34950-1210	34950-1220
MX150 ASSY BLD 2X6 BK A/10	334826312	A-BLACK	GCP	PLR	M-B	-	-	-	-	-	-	SALEABLE		34950-1210	34950-1220
MX150 ASSY BLD 2X6 BK A/4	334826313	A-BLACK	GCP	PLR	M-B	-	-	3	4	5	6	SALEABLE		34950-1210	34950-1220
MX150 ASSY BLD 2X6 BK A/6	334826314	A-BLACK	GCP	PLR	M-B	-	-	3	-	-	6	SALEABLE		34950-1210	34950-1220
MX150 ASSY BLD 2X6 BK A/8	334826315	A-BLACK	GCP	PLR	M-B	-	-	-	-	-	6	SALEABLE		34950-1210	34950-1220
MX150 ASSY BLD 2X6 BK A/7	334826316	A-BLACK	GCP	PLR	M-B	-	-	-	-	5	6	SALEABLE		34950-1210	34950-1220
MX150 ASSY BLD 2X6 BK A/10	334826317	A-BLACK	GCP	PLR	M-B	1	2	-	-	-	-	SALEABLE		34950-1210	34950-1220
MX150 ASSY BLD 2X6 BK A/4	334826318	A-BLACK	GCP	PLR	M-B	1	2	3	4	5	6	SALEABLE		34950-1210	34950-1220
MX150 ASSY BLD 2X6 BK A/3	334826319	A-BLACK	GCP	PLR	M-B	1	2	3	4	5	6	SALEABLE		34950-1210	34950-1220
MX150 ASSY BLD 2X6 DG C/9	334826320	C-DARK GRAY	GCP	PLR	M-B	1	-	-	-	-	6	SALEABLE		34950-1210	34950-1220
MX150 ASSY BLD 2X6 BR C/6	334826321	C-BROWN	GCP	PLR	M-B	1	2	3	4	5	6	NOT RECOMMENDED	SEE 334826328	34950-1210	34950-1220
MX150 ASSY BLD 2X6 BR C/8	334826322	C-BROWN	GCP	PLR	M-B	1	2	-	-	5	6	NOT RECOMMENDED	SEE 334826329	34950-1210	34950-1220
MX150 ASSY BLD 2X6 BK A/6	334826323	A-BLACK	GCP	PLR	M-B	-	-	3	-	-	-	SALEABLE		34950-1210	34950-1220
MX150 ASSY BLD 2X6 BK A/7	334826324	A-BLACK	GCP	PLR	M-B	-	-	3	-	-	-	SALEABLE		34950-1210	34950-1220
MX150 ASSY BLD 2X6 BK A/10	334826325	A-BLACK	GCP	PLR	M-B	-	-	3	-	-	-	SALEABLE		34950-1210	34950-1220
MX150 ASSY BLD 2X6 BK A/7	334826326	A-BLACK	GCP	PLR	M-B	-	-	-	-	5	6	SALEABLE		34950-1210	34950-1220
MX150 ASSY BLD 2X6 BK A/10	334826327	A-BLACK	GCP	PLR	M-B	-	-	-	-	-	-	SALEABLE		34950-1210	34950-1220
MX150 ASSY BLD 2X6 DG C/6	334826328	C-DARK GRAY	GCP	PLR	M-B	1	2	3	4	5	6	SALEABLE		34950-1210	34950-1220

ASSEMBLY DESCRIPTION	ASSEMBLY PART NUMBER	COMPONENT				BLOCKED TERMINALS						STATUS	COMMENT	OPTIONAL ATTACHMENTS SOLD SEPARATELY	
		THE PRESENCE OF AN ABBREVIATION INDICATES THE PRESENCE OF THAT COMPONENT				CAVITY WITH A NUMBER INDICATES BLOCKED TERMINAL POSITION CAVITY WITHOUT A NUMBER INDICATES OPEN TERMINAL POSITION								BACKSHELL WITH RIBS	BACKSHELL WITHOUT RIBS
		HOUSING KEY/COLOR	GROMMET CAP	PLR	MAT SEAL	1	2	3	4	5	6				
MX150 ASSY BLD 2X6 DG C/8	334826329	C-DARK GRAY	GCP	PLR	M-B	1	2	-	-	5	6	SALEABLE		34950-1210	34950-1220
MX150 ASSY BLD 2X6 BK A/4	334826330	A-BLACK	GCP	PLR	M-B	1	2	3	4	-	-	SALEABLE		34950-1210	34950-1220
MX150 ASSY BLD 2X6 BK A/6	334826331	A-BLACK	GCP	PLR	M-B	1	2	-	-	-	6	SALEABLE		34950-1210	34950-1220
MX150 ASSY BLD 2X6 BK A/6	334826332	A-BLACK	GCP	PLR	M-B	7	8	-	-	-	12	SALEABLE		34950-1210	34950-1220
MX150 ASSY BLD 2X6 BK A/9	334826333	A-BLACK	GCP	PLR	M-B	-	-	-	4	5	-	SALEABLE		34950-1210	34950-1220
MX150 ASSY BLD 2X6 BK A/8	334826334	A-BLACK	GCP	PLR	M-B	7	8	9	10	-	-	SALEABLE		34950-1210	34950-1220
MX150 ASSY BLD 2X6 BK A/5	334826335	A-BLACK	GCP	PLR	M-B	-	-	-	4	-	-	SALEABLE		34950-1210	34950-1220
MX150 ASSY BLD 2X6 YW A/12	334826336	A-YELLOW	GCP	PLR	M-B	-	-	-	4	5	6	SALEABLE		34950-1210	34950-1220
MX150 ASSY BLD 2X6 LG B/10	334826337	B-LIGHT GRAY	GCP	PLR	M-B	7	-	-	-	-	12	SALEABLE		34950-1210	34950-1220
MX150 ASSY BLD 2X6 LG B/8	334826338	B-LIGHT GRAY	GCP	PLR	M-B	-	-	-	-	-	-	SALEABLE		34950-1210	34950-1220
MX150 ASSY BLD 2X6 LG B/4	334826339	B-LIGHT GRAY	GCP	PLR	M-B	-	8	-	-	-	-	SALEABLE		34950-1210	34950-1220
MX150 ASSY BLD 2X6 LG B/2	334826340	B-LIGHT GRAY	GCP	PLR	M-B	-	-	3	4	5	-	SALEABLE		34950-1210	34950-1220
MX150 ASSY BLD 2X6 BK A/6	334826341	A-BLACK	GCP	PLR	M-B	-	8	9	10	11	12	SALEABLE		34950-1210	34950-1220
MX150 ASSY BLD 2X6 BK A/8	334826342	A-BLACK	GCP	PLR	M-B	1	2	3	-	5	-	SALEABLE		34950-1210	34950-1220
MX150 ASSY BLD 2X6 BK A/7	334826343	A-BLACK	GCP	PLR	M-B	-	-	9	-	11	-	SALEABLE		34950-1210	34950-1220
MX150 ASSY BLD 2X6 BK A/4	334826344	A-BLACK	GCP	PLR	M-B	-	2	3	-	5	-	SALEABLE		34950-1210	34950-1220
MX150 ASSY BLD 2X6 BK A/6	334826345	A-BLACK	GCP	PLR	M-B	-	-	-	-	11	-	SALEABLE		34950-1210	34950-1220
MX150 ASSY BLD 2X6 BK A/11	334826346	A-BLACK	GCP	PLR	M-B	1	2	3	-	-	-	SALEABLE		34950-1210	34950-1220
MX150 ASSY BLD 2X6 BK A/9	334826347	A-BLACK	GCP	PLR	M-B	-	-	-	-	-	-	SALEABLE		34950-1210	34950-1220
MX150 ASSY BLD 2X6 LG B/5	334826348	B-LIGHT GRAY	GCP	PLR	M-B	1	2	3	4	-	6	SALEABLE		34950-1210	34950-1220
MX150 ASSY BLD 2X6 BK A/9	334826349	A-BLACK	GCP	PLR	M-B	-	-	-	4	-	-	SALEABLE		34950-1210	34950-1220
MX150 ASSY BLD 2X6 BK A/10	334826350	A-BLACK	GCP	PLR	M-B	7	8	-	-	-	-	SALEABLE		34950-1210	34950-1220
MX150 ASSY BLD 2X6 BK A/8	334826351	A-BLACK	GCP	PLR	M-B	-	2	-	4	-	-	SALEABLE		34950-1210	34950-1220
MX150 ASSY BLD 2X6 BK A/2	334826352	A-BLACK	GCP	PLR	M-B	-	8	-	10	-	-	SALEABLE		34950-1210	34950-1220
MX150 ASSY BLD 2X6 BK A/7	334826353	A-BLACK	GCP	PLR	M-B	1	2	3	4	5	6	SALEABLE		34950-1210	34950-1220
MX150 ASSY BLD 2X6 BK A/4	334826354	A-BLACK	GCP	PLR	M-B	-	8	-	10	11	12	SALEABLE		34950-1210	34950-1220
MX150 ASSY BLD 2X6 BK A/6	334826355	A-BLACK	GCP	PLR	M-B	1	-	-	-	-	6	SALEABLE		34950-1210	34950-1220
						7	8	-	10	11	-	SALEABLE		34950-1210	34950-1220

ASSEMBLY DESCRIPTION	ASSEMBLY PART NUMBER	COMPONENT				BLOCKED TERMINALS						STATUS	COMMENT	OPTIONAL ATTACHMENTS SOLD SEPARATELY	
		THE PRESENCE OF AN ABBREVIATION INDICATES THE PRESENCE OF THAT COMPONENT				CAVITY WITH A NUMBER INDICATES BLOCKED TERMINAL POSITION CAVITY WITHOUT A NUMBER INDICATES OPEN TERMINAL POSITION								BACKSHELL WITH RIBS	BACKSHELL WITHOUT RIBS
		HOUSING KEY/COLOR	GROMMET CAP	PLR	MAT SEAL	1	2	3	4	-	6				
MX150 ASSY BLD 2X6 BK A/4	334826356	A-BLACK	GCP	PLR	M-B	-	-	-	10	11	12	SALEABLE		34950-1210	34950-1220
MX150 ASSY BLD 2X6 BK A/10	334826357	A-BLACK	GCP	PLR	M-B	-	-	-	-	5	-	SALEABLE		34950-1210	34950-1220
MX150 ASSY BLD 2X6 BK A/10	334826358	A-BLACK	GCP	PLR	M-B	-	8	-	-	-	-	SALEABLE		34950-1210	34950-1220
MX150 ASSY BLD 2X6 BK A/5	334826359	A-BLACK	GCP	PLR	M-B	-	-	-	4	-	-	SALEABLE		34950-1210	34950-1220
MX150 ASSY BLD 2X6 BK A/5	334826360	A-BLACK	GCP	PLR	M-B	-	-	-	10	-	-	SALEABLE		34950-1210	34950-1220
MX150 ASSY BLD 2X6 BK A/4	334826361	A-BLACK	GCP	PLR	M-B	-	-	-	4	5	6	SALEABLE		34950-1210	34950-1220
MX150 ASSY BLD 2X6 BK A/2	334826362	A-BLACK	GCP	PLR	M-B	-	8	9	10	11	12	SALEABLE		34950-1210	34950-1220
MX150 ASSY BLD 2X6 BK A/4	334826363	A-BLACK	GCP	PLR	M-B	1	2	3	-	5	6	SALEABLE		34950-1210	34950-1220
MX150 ASSY BLD 2X6 BK A/8	334826364	A-BLACK	GCP	PLR	M-B	7	8	9	-	11	12	SALEABLE		34950-1210	34950-1220
MX150 ASSY BLD 2X6 BK A/5	334826365	A-BLACK	GCP	PLR	M-B	-	-	-	4	5	-	SALEABLE		34950-1210	34950-1220
MX150 ASSY BLD 2X6 BK A/6	334826366	A-BLACK	GCP	PLR	M-B	7	8	9	10	11	12	SALEABLE		34950-1210	34950-1220
MX150 ASSY BLD 2X6 BK A/9	334826367	A-BLACK	GCP	PLR	M-B	-	-	-	-	-	6	SALEABLE		34950-1210	34950-1220
MX150 ASSY BLD 2X6 BK A/2	334826368	A-BLACK	GCP	PLR	M-B	1	2	-	-	-	6	SALEABLE		34950-1210	34950-1220
MX150 ASSY BLD 2X6 BK A/11	334826369	A-BLACK	GCP	PLR	M-B	7	-	-	-	11	12	SALEABLE		34950-1210	34950-1220
MX150 ASSY BLD 2X6 BK A/4	334826370	A-BLACK	GCP	PLR	M-B	-	-	-	4	-	-	SALEABLE		34950-1210	34950-1220
MX150 ASSY BLD 2X6 BK A/9	334826371	A-BLACK	GCP	PLR	M-B	1	2	3	-	-	6	SALEABLE		34950-1210	34950-1220
MX150 ASSY BLD 2X6 BK A/6	334826372	A-BLACK	GCP	PLR	M-B	7	-	-	10	11	12	SALEABLE		34950-1210	34950-1220
MX150 ASSY BLD 2X6 BK A/6	334826373	A-BLACK	GCP	PLR	M-B	-	-	-	-	-	-	SALEABLE		34950-1210	34950-1220
MX150 ASSY BLD 2X6 BK A/8	334826374	A-BLACK	GCP	PLR	M-B	1	2	3	-	5	-	SALEABLE		34950-1210	34950-1220
MX150 ASSY BLD 2X6 BK A/9	334826375	A-BLACK	GCP	PLR	M-B	-	8	-	10	-	-	SALEABLE		34950-1210	34950-1220
MX150 ASSY BLD 2X6 BK A/9	334826376	A-BLACK	GCP	PLR	M-B	7	-	-	-	11	-	SALEABLE		34950-1210	34950-1220
MX150 ASSY BLD 2X6 BK A/3	334826377	A-BLACK	GCP	PLR	M-B	-	2	-	4	-	-	SALEABLE		34950-1210	34950-1220
MX150 ASSY BLD 2X6 BK A/7	334826378	A-BLACK	GCP	PLR	M-B	1	-	3	-	5	-	SALEABLE		34950-1210	34950-1220
MX150 ASSY BLD 2X6 BK A/5	334826379	A-BLACK	GCP	PLR	M-B	-	8	-	10	11	12	SALEABLE		34950-1210	34950-1220
MX150 ASSY BLD 2X6 BK A/9	334826380	A-BLACK	GCP	PLR	M-B	1	-	3	-	5	-	SALEABLE		34950-1210	34950-1220
MX150 ASSY BLD 2X6 BK A/8	334826381	A-BLACK	GCP	PLR	M-B	-	2	-	-	-	-	SALEABLE		34950-1210	34950-1220
MX150 ASSY BLD 2X6 BK A/6	334826382	A-BLACK	GCP	PLR	M-B	7	8	-	-	-	-	SALEABLE		34950-1210	34950-1220
MX150 ASSY BLD 2X6 BK A/6		A-BLACK	GCP	PLR	M-B	-	2	-	4	-	-	SALEABLE		34950-1210	34950-1220
MX150 ASSY BLD 2X6 BK A/6		A-BLACK	GCP	PLR	M-B	7	8	-	-	-	-	SALEABLE		34950-1210	34950-1220
MX150 ASSY BLD 2X6 BK A/6		A-BLACK	GCP	PLR	M-B	-	-	-	4	5	6	SALEABLE		34950-1210	34950-1220
MX150 ASSY BLD 2X6 BK A/6		A-BLACK	GCP	PLR	M-B	-	8	-	10	11	-	SALEABLE		34950-1210	34950-1220

ASSEMBLY DESCRIPTION	ASSEMBLY PART NUMBER	COMPONENT				BLOCKED TERMINALS						STATUS	COMMENT	OPTIONAL ATTACHMENTS SOLD SEPARATELY	
		THE PRESENCE OF AN ABBREVIATION INDICATES THE PRESENCE OF THAT COMPONENT				CAVITY WITH A NUMBER INDICATES BLOCKED TERMINAL POSITION CAVITY WITHOUT A NUMBER INDICATES OPEN TERMINAL POSITION								BACKSHELL WITH RIBS	BACKSHELL WITHOUT RIBS
		HOUSING KEY/COLOR	GROMMET CAP	PLR	MAT SEAL	1	2	3	4	-	-				
MX150 ASSY BLD 2X6 BK A/3	334826383	A-BLACK	GCP	PLR	M-B	1	2	3	4	-	-	SALEABLE		34950-1210	34950-1220
MX150 ASSY BLD 2X6 BK A/8	334826384	A-BLACK	GCP	PLR	M-B	7	8	9	10	11	-	SALEABLE		34950-1210	34950-1220
MX150 ASSY BLD 2X6 BK A/8	334826385	A-BLACK	GCP	PLR	M-B	-	-	3	4	-	-	SALEABLE		34950-1210	34950-1220
MX150 ASSY BLD 2X6 BK A/2	334826386	A-BLACK	GCP	PLR	M-B	-	-	9	10	-	-	SALEABLE		34950-1210	34950-1220
MX150 ASSY BLD 2X6 BK A/2	334826387	A-BLACK	GCP	PLR	M-B	-	-	3	4	-	-	SALEABLE		34950-1210	34950-1220
MX150 ASSY BLD 2X6 BK A/6	334826388	A-BLACK	GCP	PLR	M-B	1	2	3	4	-	6	SALEABLE		34950-1210	34950-1220
MX150 ASSY BLD 2X6 BK A/6	334826389	A-BLACK	GCP	PLR	M-B	7	8	9	10	11	-	SALEABLE		34950-1210	34950-1220
MX150 ASSY BLD 2X6 BK A/8	334826390	A-BLACK	GCP	PLR	M-B	1	2	3	4	5	6	SALEABLE		34950-1210	34950-1220
MX150 ASSY BLD 2X6 BK A/5	334826391	A-BLACK	GCP	PLR	M-B	7	8	9	-	-	12	SALEABLE		34950-1210	34950-1220
MX150 ASSY BLD 2X6 BK A/7	334826392	A-BLACK	GCP	PLR	M-B	1	2	3	-	-	-	SALEABLE		34950-1210	34950-1220
MX150 ASSY BLD 2X6 BK A/7	334826393	A-BLACK	GCP	PLR	M-B	-	-	-	10	11	12	SALEABLE		34950-1210	34950-1220
MX150 ASSY BLD 2X6 LG B/3	334826394	B-LIGHT GRAY	GCP	PLR	M-B	1	2	3	-	-	6	SALEABLE		34950-1210	34950-1220
MX150 ASSY BLD 2X6 LG B/5	334826395	B-LIGHT GRAY	GCP	PLR	M-B	-	-	-	4	5	-	SALEABLE		34950-1210	34950-1220
MX150 ASSY BLD 2X6 BK A/6	334826396	A-BLACK	GCP	PLR	M-B	7	-	-	-	11	12	SALEABLE		34950-1210	34950-1220
MX150 ASSY BLD 2X6 BK A/9	334826397	A-BLACK	GCP	PLR	M-B	1	-	3	4	-	-	SALEABLE		34950-1210	34950-1220
MX150 ASSY BLD 2X6 BK A/6	334826398	A-BLACK	GCP	PLR	M-B	-	-	-	4	5	6	SALEABLE		34950-1210	34950-1220
MX150 ASSY BLD 2X6 BK A/2	334826399	A-BLACK	GCP	PLR	M-B	7	-	-	-	11	12	SALEABLE		34950-1210	34950-1220
MX150 ASSY BLD 2X6 BK A/7	334826400	A-BLACK	GCP	PLR	M-B	1	2	3	-	-	-	SALEABLE		34950-1210	34950-1220
MX150 ASSY BLD 2X6 BK A/5	334826401	A-BLACK	GCP	PLR	M-B	7	8	9	10	-	-	SALEABLE		34950-1210	34950-1220
MX150 ASSY BLD 2X6 BK A/8	334826402	A-BLACK	GCP	PLR	M-B	1	2	3	-	-	-	SALEABLE		34950-1210	34950-1220
MX150 ASSY BLD 2X6 BK A/4	334826403	A-BLACK	GCP	PLR	M-B	-	-	-	4	5	6	SALEABLE		34950-1210	34950-1220
MX150 ASSY BLD 2X6 BK A/7	334826404	A-BLACK	GCP	PLR	M-B	7	8	-	-	-	-	SALEABLE		34950-1210	34950-1220
MX150 ASSY BLD 2X6 BK A/9	334826405	A-BLACK	GCP	PLR	M-B	-	-	-	4	5	6	SALEABLE		34950-1210	34950-1220
MX150 ASSY BLD 2X6 BK A/3	334826406	A-BLACK	GCP	PLR	M-B	7	8	9	10	-	-	SALEABLE		34950-1210	34950-1220
MX150 ASSY BLD 2X6 BK A/8	334826407	A-BLACK	GCP	PLR	M-B	-	-	3	-	-	-	SALEABLE		34950-1210	34950-1220
MX150 ASSY BLD 2X6 BK A/4	334826408	A-BLACK	GCP	PLR	M-B	-	-	-	10	11	12	SALEABLE		34950-1210	34950-1220
MX150 ASSY BLD 2X6 BK A/3	334826409	A-BLACK	GCP	PLR	M-B	7	8	-	4	5	6	SALEABLE		34950-1210	34950-1220
MX150 ASSY BLD 2X6 BK A/3	334826409	A-BLACK	GCP	PLR	M-B	7	8	-	10	11	12	SALEABLE		34950-1210	34950-1220

ASSEMBLY DESCRIPTION	ASSEMBLY PART NUMBER	COMPONENT				BLOCKED TERMINALS						STATUS	COMMENT	OPTIONAL ATTACHMENTS SOLD SEPARATELY	
		THE PRESENCE OF AN ABBREVIATION INDICATES THE PRESENCE OF THAT COMPONENT				CAVITY WITH A NUMBER INDICATES BLOCKED TERMINAL POSITION CAVITY WITHOUT A NUMBER INDICATES OPEN TERMINAL POSITION								BACKSHELL WITH RIBS	BACKSHELL WITHOUT RIBS
		HOUSING KEY/COLOR	GROMMET CAP	PLR	MAT SEAL	1	2	3	4	-	-				
MX150 ASSY BLD 2X6 BK A/6	334826410	A-BLACK	GCP	PLR	M-B	1	2	3	4	-	-	SALEABLE		34950-1210	34950-1220
MX150 ASSY BLD 2X6 BK A/9	334826411	A-BLACK	GCP	PLR	M-B	-	2	3	-	-	-	SALEABLE		34950-1210	34950-1220
MX150 ASSY BLD 2X6 BK A/9	334826412	A-BLACK	GCP	PLR	M-B	-	-	-	-	-	-	SALEABLE		34950-1210	34950-1220
MX150 ASSY BLD 2X6 BK A/8	334826413	A-BLACK	GCP	PLR	M-B	1	-	3	-	5	-	SALEABLE		34950-1210	34950-1220
MX150 ASSY BLD 2X6 BK A/6	334826414	A-BLACK	GCP	PLR	M-B	1	-	3	-	5	-	SALEABLE		34950-1210	34950-1220
MX150 ASSY BLD 2X6 BK A/4	334826415	A-BLACK	GCP	PLR	M-B	-	2	3	-	5	6	SALEABLE		34950-1210	34950-1220
MX150 ASSY BLD 2X6 BK A/5	334826416	A-BLACK	GCP	PLR	M-B	1	-	-	4	5	6	SALEABLE		34950-1210	34950-1220
MX150 ASSY BLD 2X6 BK A/6	334826417	A-BLACK	GCP	PLR	M-B	1	-	-	4	5	-	SALEABLE		34950-1210	34950-1220
MX150 ASSY BLD 2X6 BK A/3	334826418	A-BLACK	GCP	PLR	M-B	1	2	3	4	5	-	SALEABLE		34950-1210	34950-1220
MX150 ASSY BLD 2X6 BK A/3	334826419	A-BLACK	GCP	PLR	M-B	-	2	3	-	5	6	SALEABLE		34950-1210	34950-1220
MX150 ASSY BLD 2X6 BK A/6	334826420	A-BLACK	GCP	PLR	M-B	1	2	3	4	-	-	SALEABLE		34950-1210	34950-1220
MX150 ASSY BLD 2X6 BK A/9	334826421	A-BLACK	GCP	PLR	M-B	-	2	3	-	-	-	SALEABLE		34950-1210	34950-1220
MX150 ASSY BLD 2X6 BK A/9	334826422	A-BLACK	GCP	PLR	M-B	-	-	-	-	-	-	SALEABLE		34950-1210	34950-1220
MX150 ASSY BLD 2X6 BK A/8	334826423	A-BLACK	GCP	PLR	M-B	1	-	3	-	5	-	SALEABLE		34950-1210	34950-1220
MX150 ASSY BLD 2X6 BK A/6	334826424	A-BLACK	GCP	PLR	M-B	1	-	3	-	5	-	SALEABLE		34950-1210	34950-1220
MX150 ASSY BLD 2X6 BK A/3	334826425	A-BLACK	GCP	PLR	M-B	-	2	-	4	-	6	SALEABLE		34950-1210	34950-1220
MX150 ASSY BLD 2X6 BK A/8	334826426	A-BLACK	GCP	PLR	M-B	-	-	3	4	-	-	SALEABLE		34950-1210	34950-1220
MX150 ASSY BLD 2X6 BK A/6	334826427	A-BLACK	GCP	PLR	M-B	-	-	3	4	-	-	SALEABLE		34950-1210	34950-1220
MX150 ASSY BLD 2X6 BK A/4	334826428	A-BLACK	GCP	PLR	M-B	1	2	-	-	5	6	SALEABLE		34950-1210	34950-1220
MX150 ASSY BLD 2X6 BK A/10	334826429	A-BLACK	GCP	PLR	M-B	-	-	-	-	-	-	SALEABLE		34950-1210	34950-1220
MX150 ASSY BLD 2X6 BK A/6	334826430	A-BLACK	GCP	PLR	M-B	-	-	3	4	5	6	SALEABLE		34950-1210	34950-1220
MX150 ASSY BLD 2X6 LG B/5	334826431	B-LIGHT GRAY	GCP	PLR	M-B	1	2	3	4	-	-	SALEABLE		34950-1210	34950-1220
MX150 ASSY BLD 2X6 LG B/7	334826432	B-LIGHT GRAY	GCP	PLR	M-B	1	2	3	4	-	-	SALEABLE		34950-1210	34950-1220
MX150 ASSY BLD 2X6 BK A/9	334826433	A-BLACK	GCP	PLR	M-B	-	-	-	-	-	-	SALEABLE		34950-1210	34950-1220
MX150 ASSY BLD 2X6 LG B/8	334826434	B-LIGHT GRAY	GCP	PLR	M-B	-	-	-	-	-	-	SALEABLE		34950-1210	34950-1220
MX150 ASSY BLD 2X6 BK A/6	334826435	A-BLACK	GCP	PLR	M-B	-	-	-	-	-	-	SALEABLE		34950-1210	34950-1220
MX150 ASSY BLD 2X6 BK A/6	334826436	A-BLACK	GCP	PLR	M-B	-	2	-	-	-	-	SALEABLE		34950-1210	34950-1220

ASSEMBLY DESCRIPTION	ASSEMBLY PART NUMBER	COMPONENT				BLOCKED TERMINALS						STATUS	COMMENT	OPTIONAL ATTACHMENTS SOLD SEPARATELY	
		THE PRESENCE OF AN ABBREVIATION INDICATES THE PRESENCE OF THAT COMPONENT				CAVITY WITH A NUMBER INDICATES BLOCKED TERMINAL POSITION CAVITY WITHOUT A NUMBER INDICATES OPEN TERMINAL POSITION								BACKSHELL WITH RIBS	BACKSHELL WITHOUT RIBS
		HOUSING KEY/COLOR	GROMMET CAP	PLR	MAT SEAL										
MX150 ASSY BLD 2X6 BK A/9	334826437	A-BLACK	GCP	PLR	M-B	-	2	-	-	-	-	SALEABLE		34950-1210	34950-1220
MX150 ASSY BLD 2X6 LG B/5	334826438	B-LIGHT GRAY	GCP	PLR	M-B	1	2	3	4	-	-	SALEABLE		34950-1210	34950-1220
MX150 ASSY BLD 2X6 LG B/7	334826439	B-LIGHT GRAY	GCP	PLR	M-B	1	2	3	4	-	-	SALEABLE		34950-1210	34950-1220
MX150 ASSY BLD 2X6 BK A/7	334826440	A-BLACK	GCP	PLR	M-B	1	2	-	-	-	6	SALEABLE		34950-1210	34950-1220
MX150 ASSY BLD 2X6 BK A/4	334826441	A-BLACK	GCP	PLR	M-B	1	2	3	-	-	6	SALEABLE		34950-1210	34950-1220
MX150 ASSY BLD 2X6 BK A/8	334826442	A-BLACK	GCP	PLR	M-B	-	2	-	4	-	6	SALEABLE		34950-1210	34950-1220
MX150 ASSY BLD 2X6 BK A/9	334826443	A-BLACK	GCP	PLR	M-B	-	2	-	4	-	6	SALEABLE		34950-1210	34950-1220
MX150 ASSY BLD 2X6 BK A/7	334826444	A-BLACK	GCP	PLR	M-B	-	-	3	4	-	6	SALEABLE		34950-1210	34950-1220
MX150 ASSY BLD 2X6 BK A/6	334826445	A-BLACK	GCP	PLR	M-B	-	-	-	4	-	-	SALEABLE		34950-1210	34950-1220
MX150 ASSY BLD 2X6 DG C/10	334826446	C-DARK GRAY	GCP	PLR	M-B	-	-	3	4	-	-	SALEABLE		34950-1210	34950-1220
MX150 ASSY BLD 2X6 BK A/5	334826447	A-BLACK	GCP	PLR	M-B	1	2	3	-	-	6	SALEABLE		34950-1210	34950-1220
MX150 ASSY BLD 2X6 BK A/6	334826448	A-BLACK	GCP	PLR	M-B	-	-	-	-	5	6	SALEABLE		34950-1210	34950-1220
MX150 ASSY BLD 2X6 LG B/8	334826449	B-LIGHT GRAY	GCP	PLR	M-B	-	-	-	-	-	-	SALEABLE		34950-1210	34950-1220
MX150 ASSY BLD 2X6 BK A/3	334826450	A-BLACK	GCP	PLR	M-B	-	2	3	-	5	6	SALEABLE		34950-1210	34950-1220
MX150 ASSY BLD 2X6 BK A/8	334826451	A-BLACK	GCP	PLR	M-B	-	-	-	-	5	6	SALEABLE		34950-1210	34950-1220
MX150 ASSY BLD 2X6 BK A/5	334826452	A-BLACK	GCP	PLR	M-B	-	-	3	4	-	-	SALEABLE		34950-1210	34950-1220
MX150 ASSY BLD 2X6 BK A/3	334826453	A-BLACK	GCP	PLR	M-B	1	2	3	4	-	-	SALEABLE		34950-1210	34950-1220
MX150 ASSY BLD 2X6 BK A/5	334826454	A-BLACK	GCP	PLR	M-B	1	-	3	4	-	-	SALEABLE		34950-1210	34950-1220
MX150 ASSY BLD 2X6 BK A/7	334826455	A-BLACK	GCP	PLR	M-B	1	-	-	4	-	-	SALEABLE		34950-1210	34950-1220
MX150 ASSY BLD 2X6 BK A/6	334826456	A-BLACK	GCP	PLR	M-B	1	2	-	4	5	6	SALEABLE		34950-1210	34950-1220
MX150 ASSY BLD 2X6 BK A/6	334826457	A-BLACK	GCP	PLR	M-B	-	2	-	4	5	6	SALEABLE		34950-1210	34950-1220
MX150 ASSY BLD 2X6 BK A/9	334826458	A-BLACK	GCP	PLR	M-B	-	2	-	-	-	6	SALEABLE		34950-1210	34950-1220
MX150 ASSY BLD 2X6 BK A/8	334826459	A-BLACK	GCP	PLR	M-B	-	-	3	-	-	-	SALEABLE		34950-1210	34950-1220
MX150 ASSY BLD 2X6 BK A/8	334826460	A-BLACK	GCP	PLR	M-B	1	-	-	-	-	-	SALEABLE		34950-1210	34950-1220
MX150 ASSY BLD 2X6 BK A/6	334826461	A-BLACK	GCP	PLR	M-B	-	2	-	-	5	6	SALEABLE		34950-1210	34950-1220
MX150 ASSY BLD 2X6 BK A/4	334826462	A-BLACK	GCP	PLR	M-B	-	2	3	-	5	6	SALEABLE		34950-1210	34950-1220
MX150 ASSY BLD 2X6 BK A/4	334826463	A-BLACK	GCP	PLR	M-B	1	2	-	4	5	6	SALEABLE		34950-1210	34950-1220

ASSEMBLY DESCRIPTION	ASSEMBLY PART NUMBER	COMPONENT				BLOCKED TERMINALS						STATUS	COMMENT	OPTIONAL ATTACHMENTS SOLD SEPARATELY	
		THE PRESENCE OF AN ABBREVIATION INDICATES THE PRESENCE OF THAT COMPONENT				CAVITY WITH A NUMBER INDICATES BLOCKED TERMINAL POSITION CAVITY WITHOUT A NUMBER INDICATES OPEN TERMINAL POSITION								BACKSHELL WITH RIBS	BACKSHELL WITHOUT RIBS
		HOUSING KEY/COLOR	GROMMET CAP	PLR	MAT SEAL										
MX150 ASSY BLD 2X6 BK A/2	334826464	A-BLACK	GCP	PLR	M-B	1	2	-	4	5	6	SALEABLE		34950-1210	34950-1220
MX150 ASSY BLD 2X6 BK A/2	334826465	A-BLACK	GCP	PLR	M-B	1	2	3	4	5	6	SALEABLE		34950-1210	34950-1220
MX150 ASSY BLD 2X6 BK A/11	334826466	A-BLACK	GCP	PLR	M-B	-	-	-	-	-	-	SALEABLE		34950-1210	34950-1220
MX150 ASSY BLD 2X6 BK A/9	334826467	A-BLACK	GCP	PLR	M-B	-	2	3	4	-	-	SALEABLE		34950-1210	34950-1220
MX150 ASSY BLD 2X6 BK A/6	334826468	A-BLACK	GCP	PLR	M-B	-	-	-	4	5	-	SALEABLE		34950-1210	34950-1220
MX150 ASSY BLD 2X6 BK A/9	334826469	A-BLACK	GCP	PLR	M-B	1	-	-	-	-	-	SALEABLE		34950-1210	34950-1220
MX150 ASSY BLD 2X6 BK A/8	334826470	A-BLACK	GCP	PLR	M-B	-	-	-	-	-	-	SALEABLE		34950-1210	34950-1220
MX150 ASSY BLD 2X6 DG C/9	334826471	C-DARK GRAY	GCP	PLR	M-B	-	-	3	4	-	-	SALEABLE		34950-1210	34950-1220
MX150 ASSY BLD 2X6 BK A/4	334826472	A-BLACK	GCP	PLR	M-B	1	2	-	-	-	-	SALEABLE		34950-1210	34950-1220
MX150 ASSY BLD 2X6 BK A/7	334826473	A-BLACK	GCP	PLR	M-B	-	-	-	-	5	-	SALEABLE		34950-1210	34950-1220
MX150 ASSY BLD 2X6 BK A/7	334826474	A-BLACK	GCP	PLR	M-B	1	2	-	-	5	-	SALEABLE		34950-1210	34950-1220
MX150 ASSY BLD 2X6 BK A/11	334826475	A-BLACK	GCP	PLR	M-B	-	-	-	-	5	-	SALEABLE		34950-1210	34950-1220
MX150 ASSY BLD 2X6 BK A/9	334826476	A-BLACK	GCP	PLR	M-B	-	-	3	4	5	-	SALEABLE		34950-1210	34950-1220
MX150 ASSY BLD 2X6 BK A/5	334826477	A-BLACK	GCP	PLR	M-B	1	2	-	-	5	-	SALEABLE		34950-1210	34950-1220
MX150 ASSY BLD 2X6 BK A/9	334826478	A-BLACK	GCP	PLR	M-B	-	-	-	-	5	-	SALEABLE		34950-1210	34950-1220
MX150 ASSY BLD 2X6 BK A/9	334826479	A-BLACK	GCP	PLR	M-B	1	-	-	-	-	-	SALEABLE		34950-1210	34950-1220
MX150 ASSY BLD 2X6 BK A/7	334826480	A-BLACK	GCP	PLR	M-B	1	-	-	4	5	6	SALEABLE		34950-1210	34950-1220
MX150 ASSY BLD 2X6 BK A/5	334826481	A-BLACK	GCP	PLR	M-B	1	-	-	4	5	6	SALEABLE		34950-1210	34950-1220
MX150 ASSY BLD 2X6 BK A/3	334826482	A-BLACK	GCP	PLR	M-B	1	2	3	4	5	6	SALEABLE		34950-1210	34950-1220
MX150 ASSY BLD 2X6 LG B/6	334826483	B-LIGHT GRAY	GCP	PLR	M-B	1	-	-	-	-	6	SALEABLE		34950-1210	34950-1220
MX150 ASSY BLD 2X6 LG B/4	334826484	B-LIGHT GRAY	GCP	PLR	M-B	1	-	-	-	-	6	SALEABLE		34950-1210	34950-1220
MX150 ASSY BLD 2X6 LG B/3	334826485	B-LIGHT GRAY	GCP	PLR	M-B	1	-	-	-	5	6	SALEABLE		34950-1210	34950-1220
MX150 ASSY BLD 2X6 BK A/3	334826486	A-BLACK	GCP	PLR	M-B	1	2	-	-	5	-	SALEABLE		34950-1210	34950-1220
MX150 ASSY BLD 2X6 BK A/9	334826487	A-BLACK	GCP	PLR	M-B	-	-	-	-	-	-	SALEABLE		34950-1210	34950-1220
MX150 ASSY BLD 2X6 BK A/2	334826488	A-BLACK	GCP	PLR	M-B	1	2	3	4	5	6	SALEABLE		34950-1210	34950-1220
MX150 ASSY BLD 2X6 BK A/7	334826489	A-BLACK	GCP	PLR	M-B	-	-	3	-	-	-	SALEABLE		34950-1210	34950-1220
MX150 ASSY BLD 2X6 BK A/6	334826490	A-BLACK	GCP	PLR	M-B	1	2	3	4	-	-	SALEABLE		34950-1210	34950-1220

ASSEMBLY DESCRIPTION	ASSEMBLY PART NUMBER	COMPONENT				BLOCKED TERMINALS						STATUS	COMMENT	OPTIONAL ATTACHMENTS SOLD SEPARATELY					
		THE PRESENCE OF AN ABBREVIATION INDICATES THE PRESENCE OF THAT COMPONENT				CAVITY WITH A NUMBER INDICATES BLOCKED TERMINAL POSITION CAVITY WITHOUT A NUMBER INDICATES OPEN TERMINAL POSITION								BACKSHELL WITH RIBS	BACKSHELL WITHOUT RIBS				
		HOUSING KEY/COLOR	GROMMET CAP	PLR	MAT SEAL	1	2	3	4	5	6					7	8	9	10
MX150 ASSY BLD 2X6 BK A/7	334826491	A-BLACK	GCP	PLR	M-B	1	-	3	-	5	-	7	-	9	-	-	34950-1210	34950-1220	
MX150 ASSY BLD 2X6 BK A/8	334826492	A-BLACK	GCP	PLR	M-B	-	2	-	-	-	6	7	8	-	-	-	34950-1210	34950-1220	
MX150 ASSY BLD 2X6 BK A/6	334826493	A-BLACK	GCP	PLR	M-B	-	-	-	-	5	-	7	-	9	10	11	12	34950-1210	34950-1220
MX150 ASSY BLD 2X6 BK A/8	334826494	A-BLACK	GCP	PLR	M-B	-	-	-	-	5	-	-	-	9	10	11	-	34950-1210	34950-1220
MX150 ASSY BLD 2X6 BK A/2	334826495	A-BLACK	GCP	PLR	M-B	1	2	3	4	5	6	-	8	9	10	11	-	34950-1210	34950-1220
MX150 ASSY BLD 2X6 BK A/3	334826496	A-BLACK	GCP	PLR	M-B	1	2	3	4	-	6	7	8	9	-	-	12	34950-1210	34950-1220
MX150 ASSY BLD 2X6 BK A/9	334826497	A-BLACK	GCP	PLR	M-B	-	-	-	-	-	-	7	-	9	-	-	12	34950-1210	34950-1220
MX150 ASSY BLD 2X6 BK A/3	334826498	A-BLACK	GCP	PLR	M-B	1	2	-	4	5	6	7	8	9	-	-	12	34950-1210	34950-1220
MX150 ASSY BLD 2X6 BK A/8	334826499	A-BLACK	GCP	PLR	M-B	-	-	3	-	-	-	-	-	9	10	11	-	34950-1210	34950-1220
MX150 ASSY BLD 2X6 BK A/8	334826500	A-BLACK	GCP	PLR	M-B	-	2	-	-	5	-	7	-	-	10	-	-	34950-1210	34950-1220
MX150 ASSY BLD 2X6 BK A/10	334826501	A-BLACK	GCP	PLR	M-B	-	-	-	4	-	-	7	-	-	-	-	-	34950-1210	34950-1220
MX150 ASSY BLD 2X6 BK A/9	334826502	A-BLACK	GCP	PLR	M-B	-	-	-	4	-	6	7	-	-	-	-	-	34950-1210	34950-1220
MX150 ASSY BLD 2X6 BK A/9	334826503	A-BLACK	GCP	PLR	M-B	-	-	-	-	-	6	7	8	-	-	-	-	34950-1210	34950-1220
MX150 ASSY BLD 2X6 BK A/2	334826504	A-BLACK	GCP	PLR	M-B	-	2	3	4	5	6	-	8	9	10	11	12	34950-1210	34950-1220
MX150 ASSY BLD 2X6 LG B/6	334826505	B-LIGHT GRAY	GCP	PLR	M-B	-	-	-	-	5	-	-	8	9	10	11	12	34950-1210	34950-1220
MX150 ASSY BLD 2X6 BK A/9	334826506	A-BLACK	GCP	PLR	M-B	-	-	-	-	-	-	-	8	9	-	-	12	34950-1210	34950-1220
MX150 ASSY BLD 2X6 BK A/6	334826507	A-BLACK	GCP	PLR	M-B	1	2	-	4	5	6	-	8	-	-	-	-	34950-1210	34950-1220
MX150 ASSY BLD 2X6 YW A/4	334826508	A-YELLOW	GCP	PLR	M-B	-	-	3	-	-	6	7	8	9	10	11	12	34950-1210	34950-1220
MX150 ASSY BLD 2X6 BK A/6	334826509	A-BLACK	GCP	PLR	M-B	-	-	-	4	5	-	7	8	-	-	11	12	34950-1210	34950-1220
MX150 ASSY BLD 2X6 BK A/8	334826510	A-BLACK	GCP	PLR	M-B	-	-	-	-	-	-	7	8	-	-	11	12	34950-1210	34950-1220
MX150 ASSY BLD 2X6 BK A/9	334826511	A-BLACK	GCP	PLR	M-B	-	-	-	-	-	-	-	8	-	-	11	12	34950-1210	34950-1220
MX150 ASSY BLD 2X6 LG B/4	334826512	B-LIGHT GRAY	GCP	PLR	M-B	1	-	3	-	5	6	7	-	-	10	11	12	34950-1210	34950-1220
MX150 ASSY BLD 2X6 BK A/8	334826513	A-BLACK	GCP	PLR	M-B	1	-	3	-	-	-	-	-	9	-	-	12	34950-1210	34950-1220
MX150 ASSY BLD 2X6 BK A/5	334826514	A-BLACK	GCP	PLR	M-B	1	2	-	4	5	6	7	8	-	-	-	-	34950-1210	34950-1220
MX150 ASSY BLD 2X6 LG B/11	334826515	B-LIGHT GRAY	GCP	PLR	M-B	-	-	-	-	-	-	-	8	-	-	-	-	34950-1210	34950-1220
MX150 ASSY BLD 2X6 LG B/11	334826516	B-LIGHT GRAY	GCP	PLR	M-B	-	-	-	-	-	-	-	-	-	-	11	-	34950-1210	34950-1220
MX150 ASSY BLD 2X6 LG B/4	334826517	B-LIGHT GRAY	GCP	PLR	M-B	-	2	3	4	5	-	7	8	9	-	11	-	34950-1210	34950-1220

ASSEMBLY DESCRIPTION	ASSEMBLY PART NUMBER	COMPONENT				BLOCKED TERMINALS						STATUS	COMMENT	OPTIONAL ATTACHMENTS SOLD SEPARATELY	
		THE PRESENCE OF AN ABBREVIATION INDICATES THE PRESENCE OF THAT COMPONENT				CAVITY WITH A NUMBER INDICATES BLOCKED TERMINAL POSITION CAVITY WITHOUT A NUMBER INDICATES OPEN TERMINAL POSITION								BACKSHELL WITH RIBS	BACKSHELL WITHOUT RIBS
		HOUSING KEY/COLOR	GROMMET CAP	PLR	MAT SEAL										
MX150 ASSY BLD 2X6 LG B/9	334826518	B-LIGHT GRAY	GCP	PLR	M-B	-	-	-	-	-	-	SALEABLE		34950-1210	34950-1220
						7	-	-	-	11	12				
MX150 ASSY BLD 2X6 LG B/5	334826519	B-LIGHT GRAY	GCP	PLR	M-B	1	2	3	-	-	-	SALEABLE		34950-1210	34950-1220
						7	8	9	-	-	12				
MX150 ASSY BLD 2X6 LG B/4	334826520	B-LIGHT GRAY	GCP	PLR	M-B	1	2	3	4	5	-	SALEABLE		34950-1210	34950-1220
						7	-	-	-	11	12				
MX150 ASSY BLD 2X6 BK A/6	334826521	A-BLACK	GCP	PLR	M-B	1	2	3	4	5	-	SALEABLE		34950-1210	34950-1220
						-	-	9	-	-	-				
MX150 ASSY BLD 2X6 BK A/4	334826522	A-BLACK	GCP	PLR	M-B	1	-	-	-	-	6	SALEABLE		34950-1210	34950-1220
						7	8	9	10	11	12				
MX150 ASSY BLD 2X6 LG B/10	334826523	B-LIGHT GRAY	GCP	PLR	M-B	-	-	3	-	-	-	SALEABLE		34950-1210	34950-1220
						7	-	-	-	-	-				
MX150 ASSY BLD 2X6 BK A/5	334826524	A-BLACK	GCP	PLR	M-B	-	-	3	-	5	6	SALEABLE		34950-1210	34950-1220
						7	8	-	-	11	12				
MX150 ASSY BLD 2X6 LG B/5	334826525	B-LIGHT GRAY	GCP	PLR	M-B	1	2	3	-	-	-	SALEABLE		34950-1210	34950-1220
						7	8	9	-	-	12				
MX150 ASSY BLD 2X6 BK A/4	334826526	A-BLACK	GCP	PLR	M-B	-	-	3	4	5	6	SALEABLE		34950-1210	34950-1220
						7	8	-	-	11	12				
MX150 ASSY BLD 2X6 BK A/7	334826527	A-BLACK	GCP	PLR	M-B	1	-	-	-	-	-	SALEABLE		34950-1210	34950-1220
						7	8	9	10	-	-				
MX150 ASSY BLD 2X6 LG B/9	334826528	B-LIGHT GRAY	GCP	PLR	M-B	-	-	-	-	-	-	SALEABLE		34950-1210	34950-1220
						7	-	-	-	11	12				
MX150 ASSY BLD 2X6 BK A/4	334826529	A-BLACK	GCP	PLR	M-B	1	-	-	-	-	6	SALEABLE		34950-1210	34950-1220
						7	8	9	10	11	12				
MX150 ASSY BLD 2X6 LG B/8	334826530	B-LIGHT GRAY	GCP	PLR	M-B	-	-	3	-	-	-	SALEABLE		34950-1210	34950-1220
						-	-	-	10	11	12				
MX150 ASSY BLD 2X6 LG B/10	334826531	B-LIGHT GRAY	GCP	PLR	M-B	-	-	-	-	-	-	SALEABLE		34950-1210	34950-1220
						-	-	-	-	11	12				
MX150 ASSY BLD 2X6 LG B/5	334826532	B-LIGHT GRAY	GCP	PLR	M-B	-	-	-	4	5	6	SALEABLE		34950-1210	34950-1220
						7	8	-	-	11	12				
MX150 ASSY BLD 2X6 BK A/10	334826533	A-BLACK	GCP	PLR	M-B	-	-	-	-	-	-	SALEABLE		34950-1210	34950-1220
						-	-	-	-	11	12				
MX150 ASSY BLD 2X6 LG B/10	334826534	B-LIGHT GRAY	GCP	PLR	M-B	-	-	3	-	-	-	SALEABLE		34950-1210	34950-1220
						7	-	-	-	-	-				
MX150 ASSY BLD 2X6 BK A/5	334826535	A-BLACK	GCP	PLR	M-B	1	2	3	4	-	-	SALEABLE		34950-1210	34950-1220
						-	8	-	10	11	-				
MX150 ASSY BLD 2X6 LG B/4	334826536	B-LIGHT GRAY	GCP	PLR	M-B	1	2	3	4	5	-	SALEABLE		34950-1210	34950-1220
						7	-	-	-	11	12				
MX150 ASSY BLD 2X6 BK A/9	334826537	A-BLACK	GCP	PLR	M-B	-	-	-	-	-	-	SALEABLE		34950-1210	34950-1220
						-	8	-	10	-	12				
MX150 ASSY BLD 2X6 BK A/2	334826538	A-BLACK	GCP	PLR	M-B	-	-	3	4	5	6	SALEABLE		34950-1210	34950-1220
						7	8	9	10	11	12				
MX150 ASSY BLD 2X6 LG B/8	334826539	B-LIGHT GRAY	GCP	PLR	M-B	-	-	-	-	-	-	SALEABLE		34950-1210	34950-1220
						7	8	9	10	-	-				
MX150 ASSY BLD 2X6 LG B/4	334826540	B-LIGHT GRAY	GCP	PLR	M-B	1	2	-	-	-	6	SALEABLE		34950-1210	34950-1220
						7	8	9	10	-	12				
MX150 ASSY BLD 2X6 BK A/11	334826541	A-BLACK	GCP	PLR	M-B	-	-	-	-	-	-	SALEABLE		34950-1210	34950-1220
						-	-	9	-	-	-				
MX150 ASSY BLD 2X6 BK A/9	334826542	A-BLACK	GCP	PLR	M-B	1	2	-	-	-	-	SALEABLE		34950-1210	34950-1220
						-	-	-	-	-	12				
MX150 ASSY BLD 2X6 BK A/6	334826543	A-BLACK	GCP	PLR	M-B	-	-	-	4	5	6	SALEABLE		34950-1210	34950-1220
						7	8	9	-	-	-				
MX150 ASSY BLD 2X6 BK A/6	334826544	A-BLACK	GCP	PLR	M-B	-	-	3	4	5	6	SALEABLE		34950-1210	34950-1220
						7	8	-	-	-	-				

ASSEMBLY DESCRIPTION	ASSEMBLY PART NUMBER	COMPONENT				BLOCKED TERMINALS						STATUS	COMMENT	OPTIONAL ATTACHMENTS SOLD SEPARATELY	
		THE PRESENCE OF AN ABBREVIATION INDICATES THE PRESENCE OF THAT COMPONENT				CAVITY WITH A NUMBER INDICATES BLOCKED TERMINAL POSITION CAVITY WITHOUT A NUMBER INDICATES OPEN TERMINAL POSITION								BACKSHELL WITH RIBS	BACKSHELL WITHOUT RIBS
		HOUSING KEY/COLOR	GROMMET CAP	PLR	MAT SEAL										
MX150 ASSY BLD 2X6 BK A/7	334826545	A-BLACK	GCP	PLR	M-B	-	-	-	4	5	6	SALEABLE		34950-1210	34950-1220
						7	-	9	-	-	-				
MX150 ASSY BLD 2X6 BK A/1	334826546	A-BLACK	GCP	PLR	M-B	1	-	3	4	5	6	SALEABLE		34950-1210	34950-1220
						7	8	9	10	11	12				
MX150 ASSY BLD 2X6 BK A/2	334826547	A-BLACK	GCP	PLR	M-B	1	2	3	4	5	6	SALEABLE		34950-1210	34950-1220
						7	-	9	10	-	12				
MX150 ASSY BLD 2X6 BK A/8	334826548	A-BLACK	GCP	PLR	M-B	-	2	-	4	-	6	SALEABLE		34950-1210	34950-1220
						7	-	-	-	-	-				
MX150 ASSY BLD 2X6 BK A/8	334826549	A-BLACK	GCP	PLR	M-B	-	2	-	-	5	6	SALEABLE		34950-1210	34950-1220
						7	-	-	-	-	-				
MX150 ASSY BLD 2X6 BK A/3	334826550	A-BLACK	GCP	PLR	M-B	-	2	3	4	5	6	SALEABLE		34950-1210	34950-1220
						-	8	9	10	11	-				
MX150 ASSY BLD 2X6 DG C/10	334826551	C-DARK GRAY	GCP	PLR	M-B	-	-	-	-	-	6	SALEABLE		34950-1210	34950-1220
						-	-	-	10	-	-				
MX150 ASSY BLD 2X6 LG B/7	334826552	B-LIGHT GRAY	GCP	PLR	M-B	-	2	-	-	5	6	SALEABLE		34950-1210	34950-1220
						-	8	-	-	11	-				
MX150 ASSY BLD 2X6 LG B/7	334826553	B-LIGHT GRAY	GCP	PLR	M-B	-	-	-	-	-	6	SALEABLE		34950-1210	34950-1220
						7	-	-	10	11	12				
MX150 ASSY BLD 2X6 LG B/9	334826554	B-LIGHT GRAY	GCP	PLR	M-B	1	-	-	-	-	-	SALEABLE		34950-1210	34950-1220
						-	8	-	10	-	-				
MX150 ASSY BLD 2X6 BK A/11	334826555	A-BLACK	GCP	PLR	M-B	-	-	-	-	-	-	SALEABLE		34950-1210	34950-1220
						-	-	-	-	-	12				
MX150 ASSY BLD 2X6 LG B/9	334826556	B-LIGHT GRAY	GCP	PLR	M-B	1	2	-	-	5	-	SALEABLE		34950-1210	34950-1220
						-	-	-	-	-	-				
MX150 ASSY BLD 2X6 LG B/8	334826557	B-LIGHT GRAY	GCP	PLR	M-B	1	2	-	4	5	-	SALEABLE		34950-1210	34950-1220
						-	-	-	-	-	-				
MX150 ASSY BLD 2X6 BK A/7	334826558	A-BLACK	GCP	PLR	M-B	1	2	-	4	5	-	SALEABLE		34950-1210	34950-1220
						-	-	9	-	-	-				
MX150 ASSY BLD 2X6 BK A/8	334826559	A-BLACK	GCP	PLR	M-B	1	2	-	-	5	-	SALEABLE		34950-1210	34950-1220
						-	-	9	-	-	-				
MX150 ASSY BLD 2X6 BK A/8	334826560	A-BLACK	GCP	PLR	M-B	-	-	3	4	-	-	SALEABLE		34950-1210	34950-1220
						7	8	-	-	-	-				

TABLE OF CONTENTS	
SHEET NO.	SHEET DESCRIPTION
1	NOTES AND BOM
2	CONFIGURATIONS
3-4	KEY CONFIGURATIONS
5	BLADE SEALED ASSEMBLY
6	SYSTEM PACKAGING
7	BACKSHELL NOTES
8	BACKSHELL
9	BACKSHELL CONFIGURATIONS

NOTES: VALID UNLESS OTHERWISE SPECIFIED

1. GENERAL:
a. APPLICATION SPECIFICATION SEE: AS-33472-100
-CONTAINS: PRODUCT INTRODUCTION, PRODUCT SUMMARY, CONNECTOR ASSEMBLY, PACKAGING INFORMATION, CONNECTOR MATING, SERVICE INSTRUCTIONS, ELECTRICAL CONTINUITY CHECKING, CRIMPING, AND TROUBLESHOOTING.
-DESIGNED TO MATE WITH RECEPTACLE SEALED ASSEMBLY AS SPECIFIED IN THE MATING CONNECTOR DRAWINGS CHART.
*DENOTES DRAWINGS THAT CAN BE ACCESSED AT <http://ewcap.uscarteams.org/>.
-ASSEMBLY SHIPPED WITH PLR IN PRE-LOCK POSITION (SEE PLR PRE-LOCK VIEW SHEET 5).

b. PRODUCT SPECIFICATION SEE:
-STANDARD CONFIGURATION: PS-33472-000
-UL V0 CONFIGURATION: TBD
CONTAINS: PRODUCT INTRODUCTION, PRODUCT SUMMARY, RATINGS (CURRENT, TEMPERATURE, SEALING, AND FLAMMABILITY), TERMINALS, WIRE DIAMETER RANGE, PRODUCT VALIDATION, AND PRODUCT DEVIATIONS.

c. PACKAGING SPECIFICATION PER MOLEX DRAWING: PK-31300-635

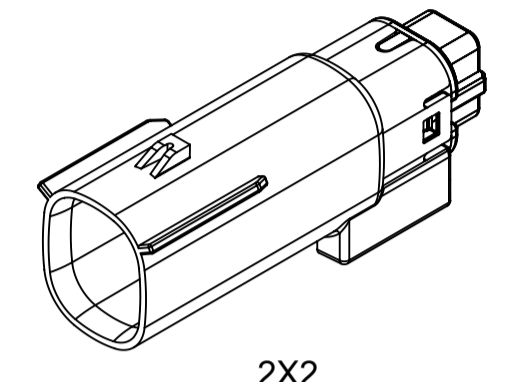
d. PARTS MUST BE IN COMPLIANCE TO MOLEX CHEMICAL SUBSTANCES FOR PRODUCTS AND PACKAGING SPECIFICATION: QEHS-699000-300

e. DATA MUST BE SUBMITTED UNDER THE MOLEX PART NUMBER TO IMDS (COMPANY ID#13255)

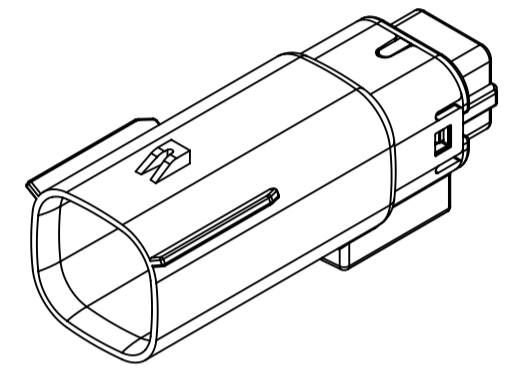
2. DESIGN - MATERIALS:
a. FOR BILL OF MATERIALS SEE:
-STANDARD CONFIGURATION: SD-33482-0002
-UL V0 CONFIGURATION: SD-160084-0002

3. DESIGN - GEOMETRY:
a. THE 3-D CAD DATA IS BASIC (WITHOUT TOLERANCE) AND MASTER FOR THIS PART WITH THE EXCEPTION OF UNDERLINED DIMENSIONS. DIMENSIONAL INFORMATION NOT SHOWN ON THIS DRAWING IS DEFINED BY THE DATA FILE AT ITS LATEST REVISION.
b. GEOMETRIC DIMENSIONS AND TOLERANCES PER ASME Y14.5M-2009
c. EDGES AND UNDIMENSIONED DETAILS PER ISO13715
d. CORNERS SHOWN AS SHARP TO BE R 0.2 MAX.
e. LETTERING SHALL BE 0.15 MAX RAISED IN 0.25 MAX RECESS PAD. THIS INCLUDES RECYCLING CODE, CAVITY ID, VENDOR IDENTIFICATION, AND CUSTOMER MATERIAL NUMBER.
f. VISUAL DEFECTS SHALL MEET COSMETIC STANDARD PS-45499-002 (Class B).
g. LASER MARKING:
1. PART NUMBER
2. DAY OF THE YEAR
3. SHIFT
4. YEAR
FOR ADDITIONAL INFORMATION SEE SECTION 5 UNDER PROCEDURES IN ES-34735-008.

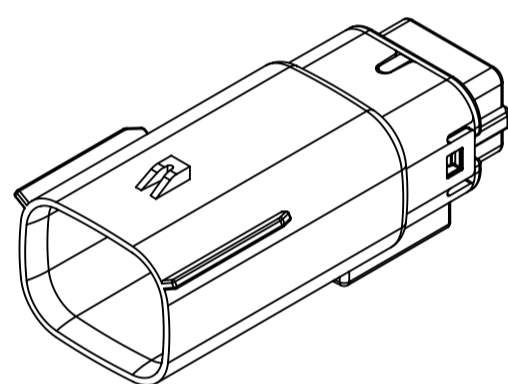
MATING CONNECTOR DRAWINGS	
DESCRIPTION	MOLEX INLINE
2X2	SD-33472-0001
2X3	SD-33472-0001
2X4	SD-33472-0001
2X6	SD-33472-0001
2X8	SD-33472-0001
2X10	SD-33472-0001



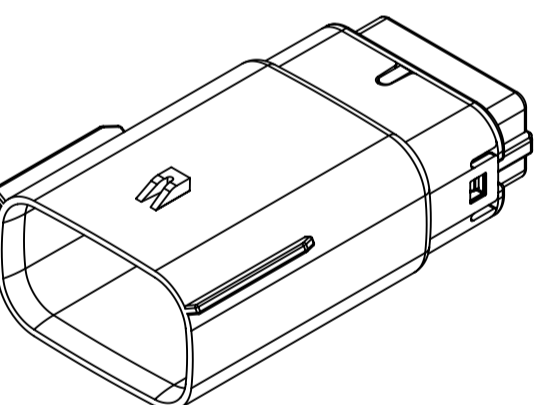
2X2



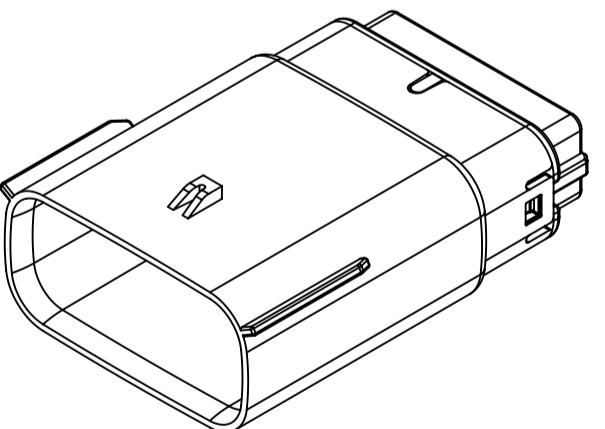
2X3



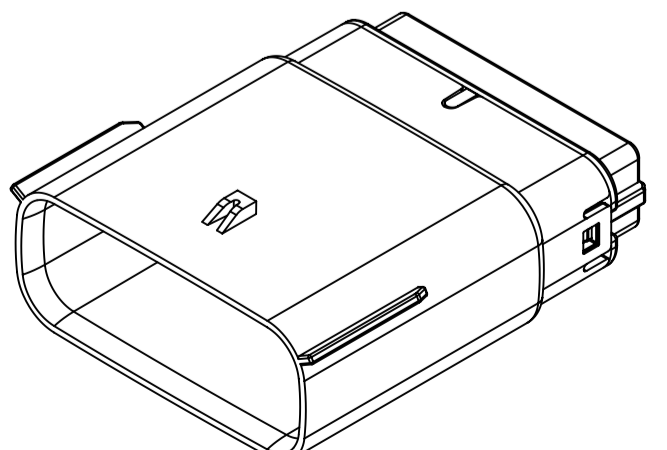
2X4



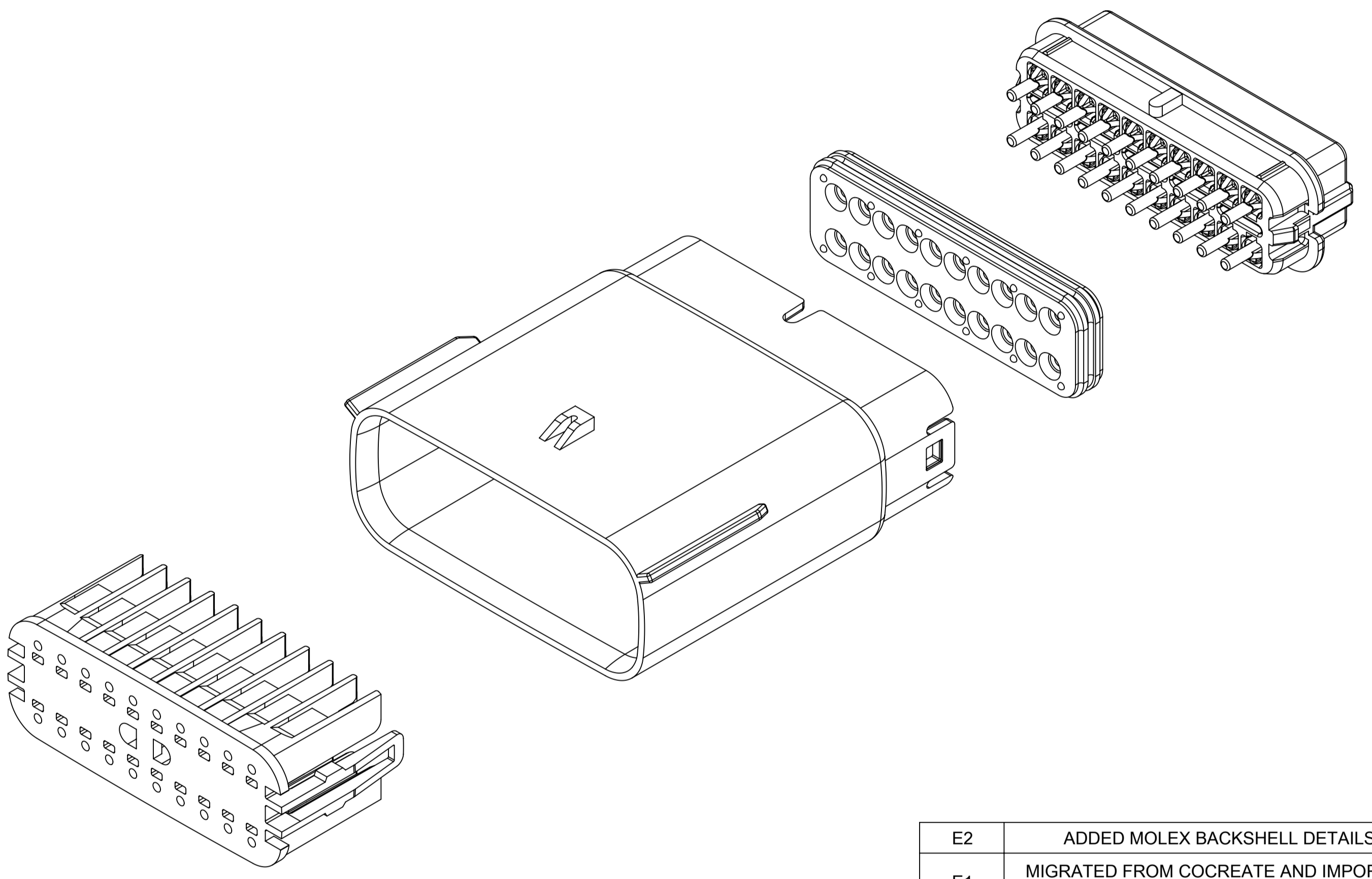
2X6



2X8



2X10

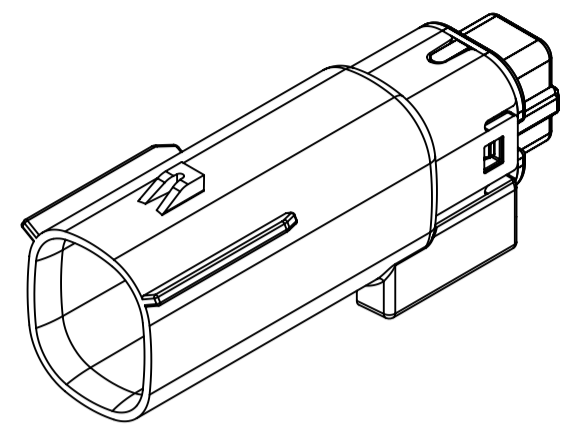


REV	REV DESCRIPTION
E2	ADDED MOLEX BACKSHELL DETAILS
E1	MIGRATED FROM COCREATE AND IMPORTED DXF FILES
E	ADDED CHARTED DIMENSIONS FOR 2X2, 2X4, 2X6 AND 2X8 WITH CLIPSLLOT
D	MINOR GEOMETRY CHANGE FOR UL V0
C3	ADD 2X4
C2	ADD 2X3
C1	ADD UL V0 CONFIGURATIONS
C	ADD 2X8
B1	ADD 2X6 BACKSHELL INFO
B	ADD 2X6
A	INITIAL RELEASE
REV	REV DESCRIPTION

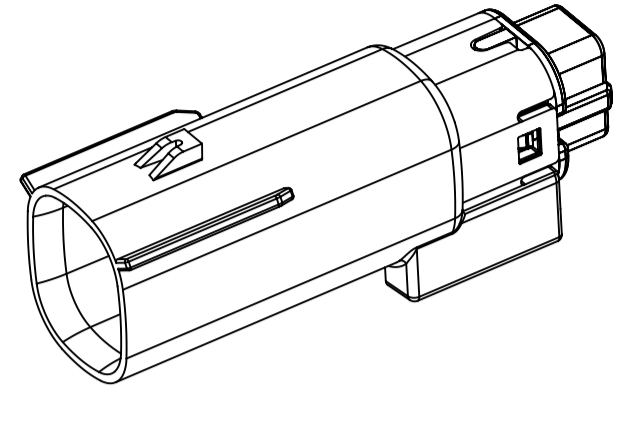
INSPECTION NUMBER LOG	
LAST NUMBER:	9
ADDED:	
REMOVED:	

SYMBOLS = 0 mm = 0 GENERAL TOLERANCES (UNLESS SPECIFIED) = 0 ANGULAR TOL ± 1.0° = 0 4 PLACES ± = 0 3 PLACES ± = 0 2 PLACES ± 0.1 = 0 1 PLACE ± 0.2 = 0 0 PLACES ± = 0 DRAFT WHERE APPLICABLE MUST REMAIN WITHIN DIMENSIONS	THIS DRAWING CONTAINS INFORMATION THAT IS PROPRIETARY TO MOLEX ELECTRONIC TECHNOLOGIES, LLC AND SHOULD NOT BE USED WITHOUT WRITTEN PERMISSION DIMENSION UNITS: mm SCALE: 1.5:1 CURRENT REV DESC: EC NO: 171650 DRWN: PMANJUNATHAC 2018/01/03 CHK'D: MVANSLAMBROU 2018/02/16 APPR: MVANSLAMBROU 2018/02/16 INITIAL REVISION: DRWN: APROFFITT 2014/04/28 APPR: VKOSHY 2014/05/14		 MX150 BLADE DUAL ROW SEALED ASSEMBLY MAT SEAL PRODUCT CUSTOMER DRAWING		
	DRWN: APROFFITT 2014/04/28 APPR: VKOSHY 2014/05/14				DOCUMENT NUMBER: SD-33482-0001 DOC TYPE: PSD DOC PART: 001 REVISION: E2
	THIRD ANGLE PROJECTION 		DRAWING: A1-SIZE SERIES: 33482	MATERIAL NUMBER: GENERAL MARKET CUSTOMER:	SHEET NUMBER: 1 OF 11
	DOCUMENT STATUS: P1 RELEASE DATE: 2018/02/16 22:02:26				

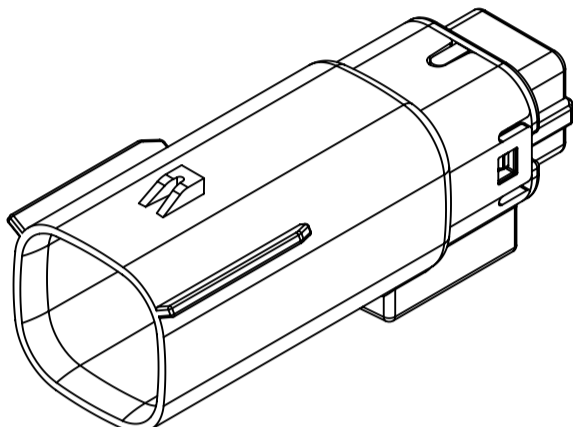
SHEET DESCRIPTION
CONFIGURATIONS



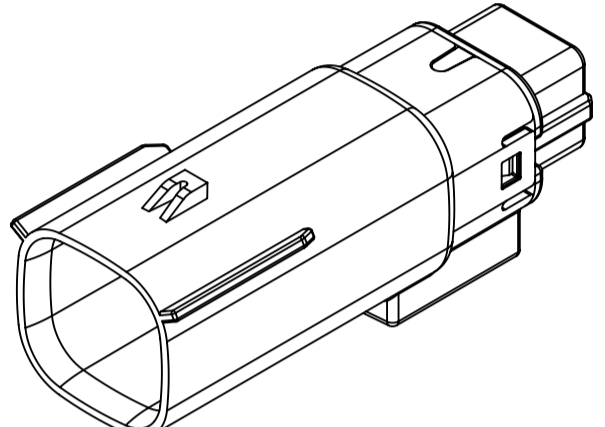
2X2 - STANDARD (STD)



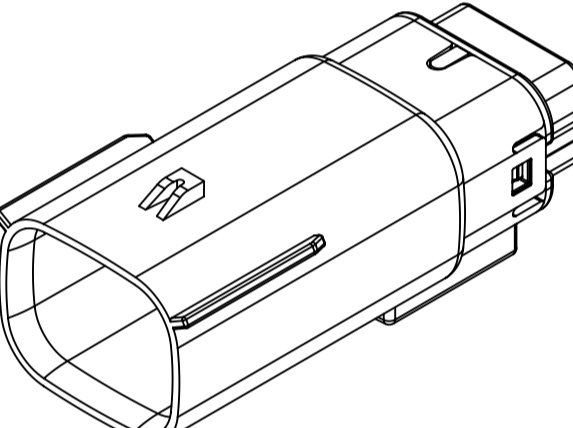
2X2 - UL V0*



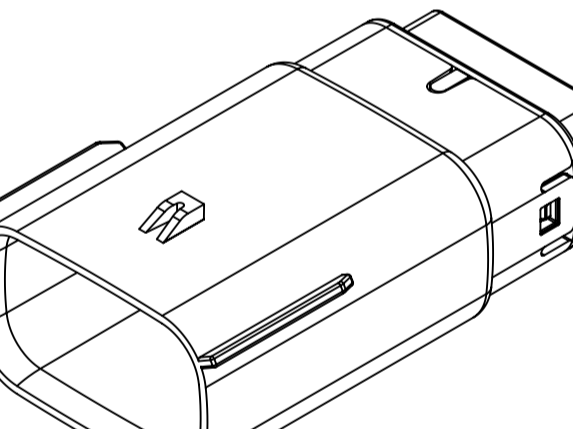
2X3 - STANDARD (STD)



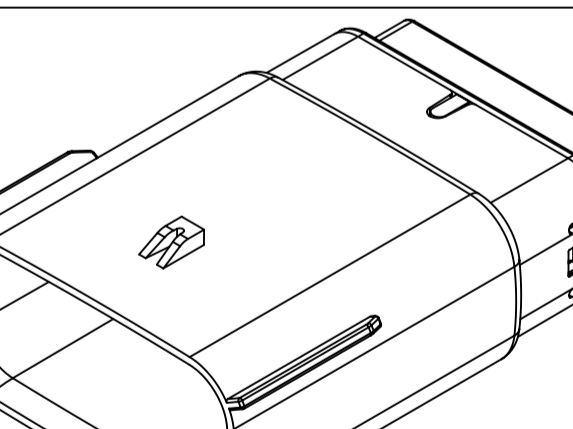
2X3 - LENGTHENED



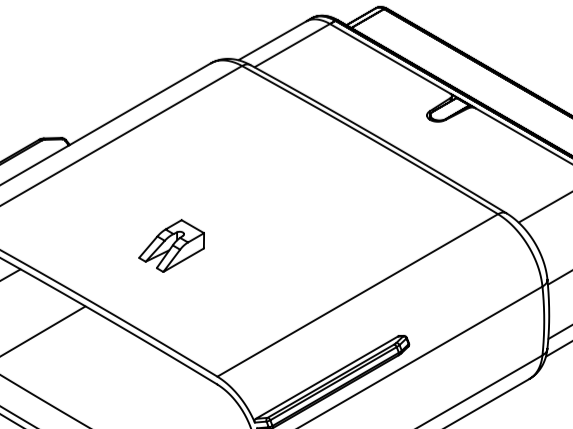
2X4 - STANDARD (STD)



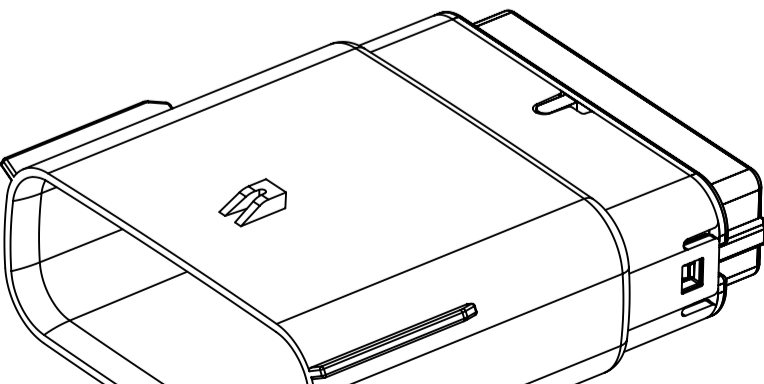
2X6 - STANDARD (STD)



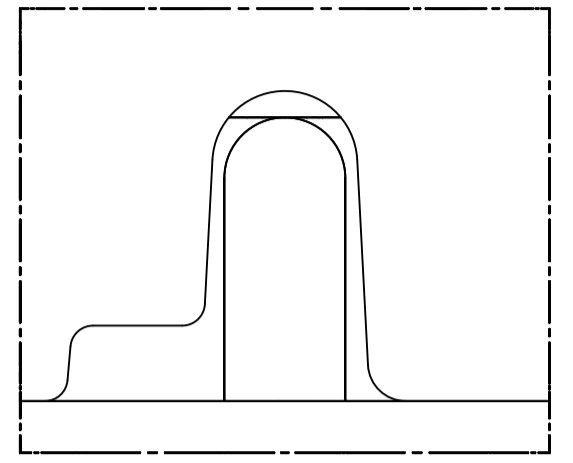
2X8 - STANDARD (STD)



2X10 - STANDARD (STD)



2X10 - UL V0*



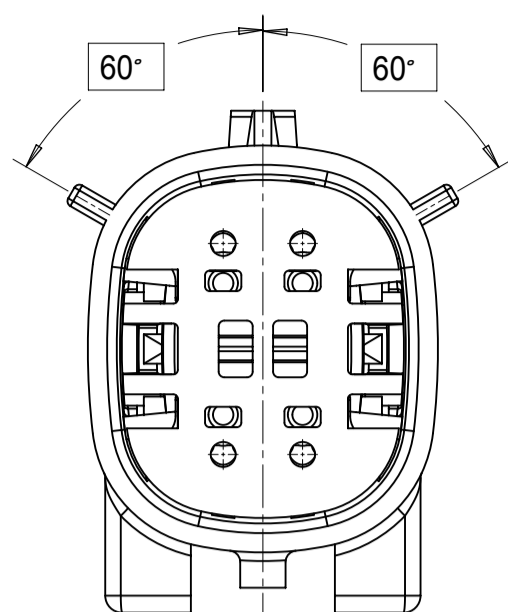
UL V0 UNIQUE FEATURE
Partial1
SCALE 10:1

* MINOR GEOMETRY CHANGE THAN STANDARD CONFIGURATION.
SEE NOTE 2a FOR MORE INFORMATION

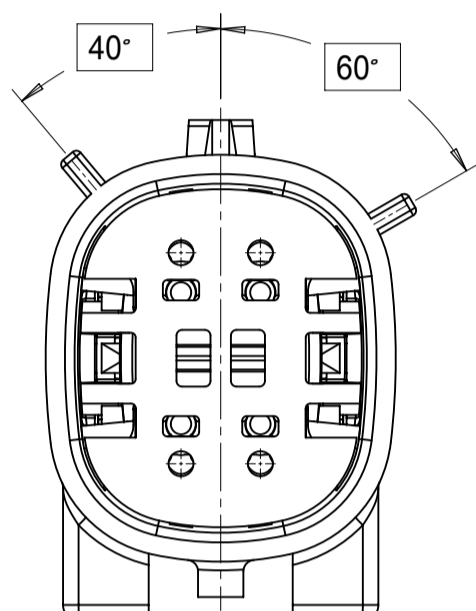
SYMBOLS = 0 = 0 = 0 = 0 = 0 = 0 = 0 = 0 = 0 = 0	THIS DRAWING CONTAINS INFORMATION THAT IS PROPRIETARY TO MOLEX ELECTRONIC TECHNOLOGIES, LLC AND SHOULD NOT BE USED WITHOUT WRITTEN PERMISSION		CURRENT REV DESC:		 MX150 BLADE DUAL ROW SEALED ASSEMBLY MAT SEAL		
	DIMENSION UNITS	SCALE	EC NO: 171650				
	mm	1.5:1	DRWN: PMANJUNATHAC 2018/01/03		SD-33482-0001	PSD	001
	GENERAL TOLERANCES (UNLESS SPECIFIED)		CHK'D: MVANSLAMBROU 2018/02/16		REVISION	E2	
	ANGULAR TOL ± 1.0°		APPR: MVANSLAMBROU 2018/02/16		PRODUCT CUSTOMER DRAWING		
	4 PLACES ±		INITIAL REVISION:		MATERIAL NUMBER		
	3 PLACES ±		DRWN: APROFFITT 2014/04/28		CUSTOMER		
	2 PLACES ± 0.1		APPR: VKOSHY 2014/05/14		GENERAL MARKET		
	1 PLACE ± 0.2		THIRD ANGLE PROJECTION		SHEET NUMBER		
	0 PLACES ±		DRAWING		2 OF 11		
DRAFT WHERE APPLICABLE MUST REMAIN WITHIN DIMENSIONS		SERIES		A1-SIZE 33482			

SHEET DESCRIPTION
KEY CONFIGURATIONS

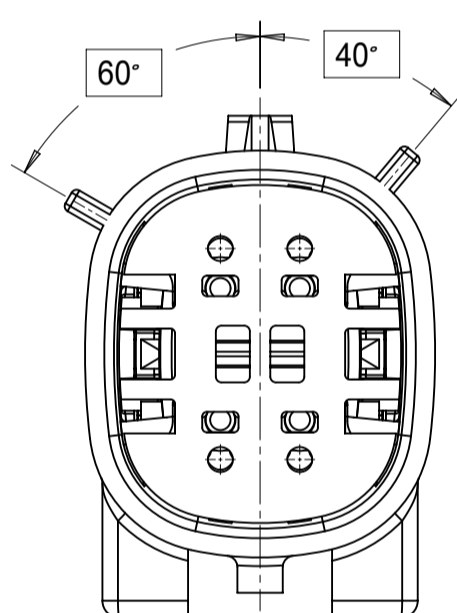
2X2



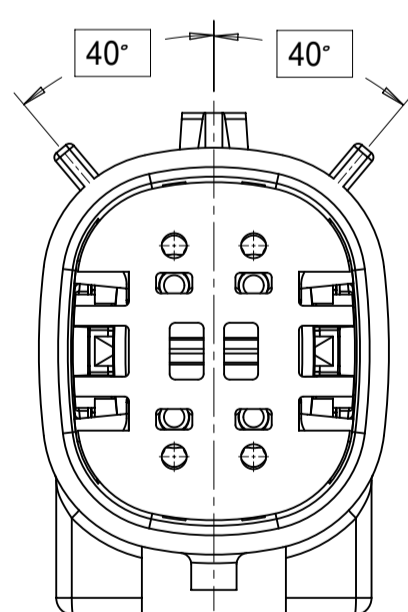
KEY A



KEY B

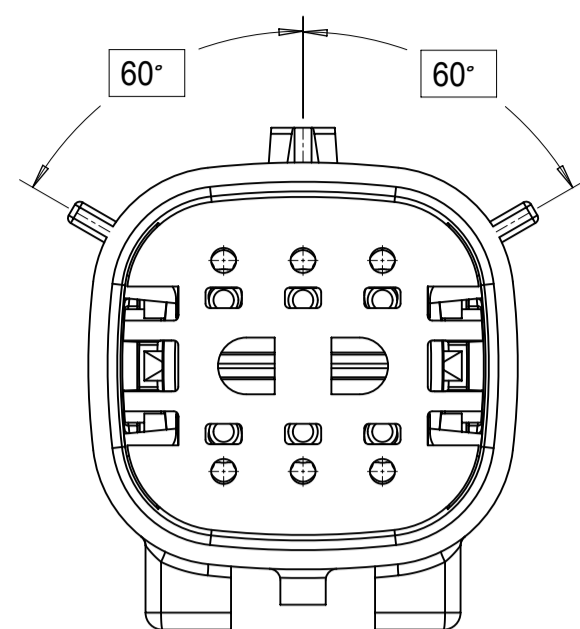


KEY C

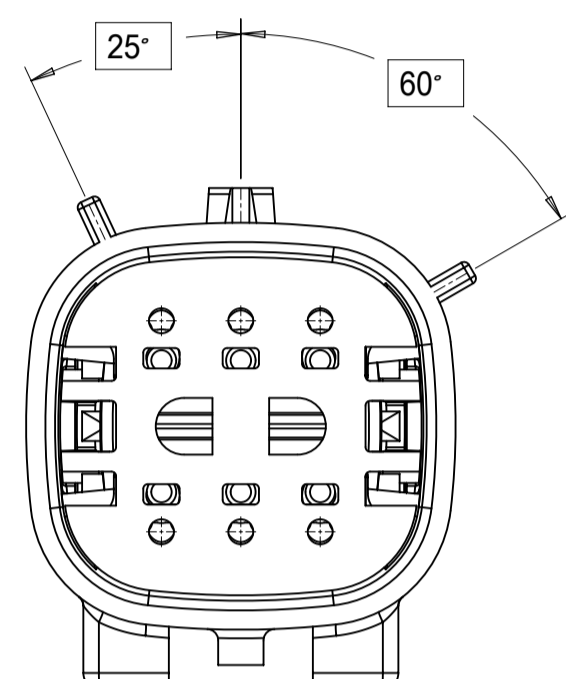


KEY D

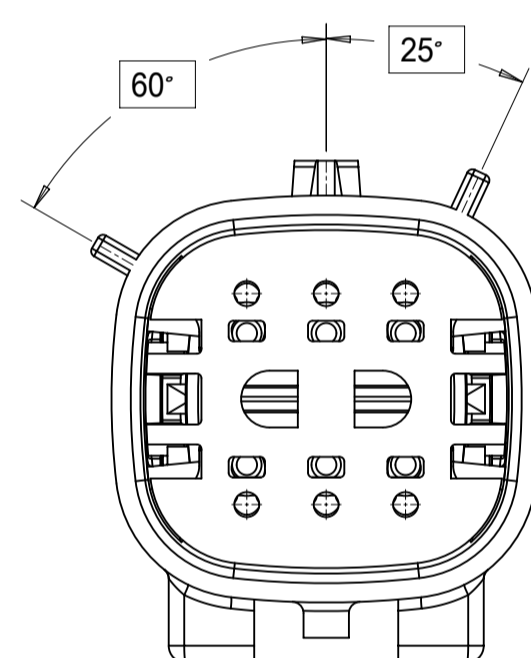
2X3



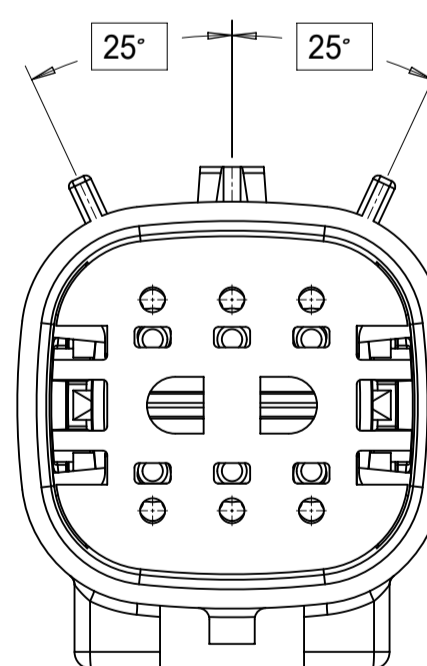
KEY A



KEY B

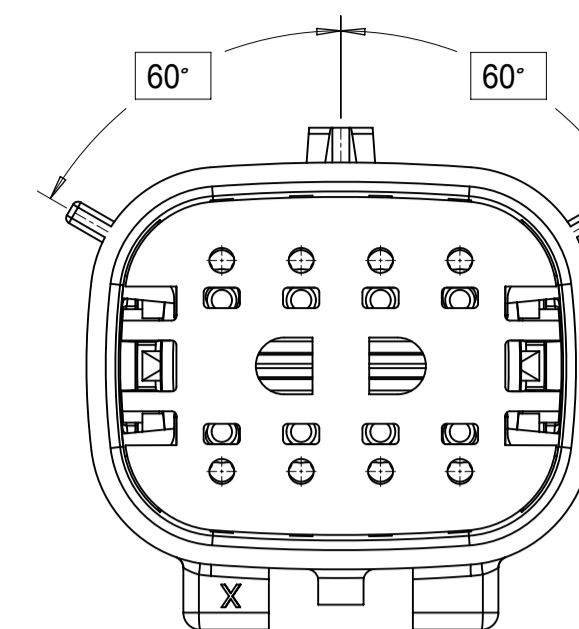


KEY C

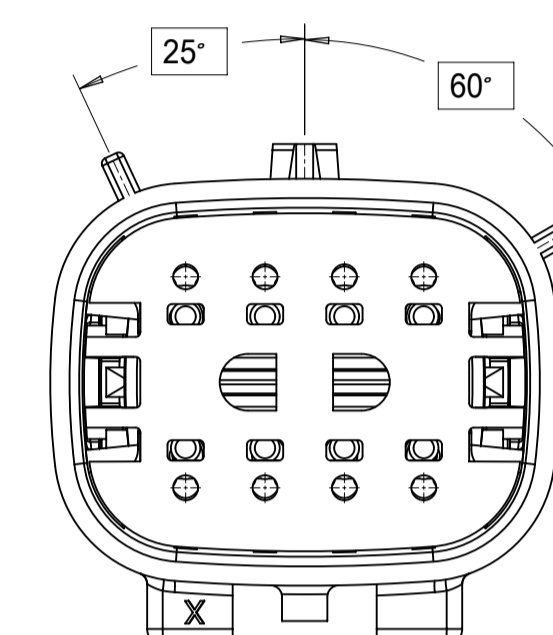


KEY D

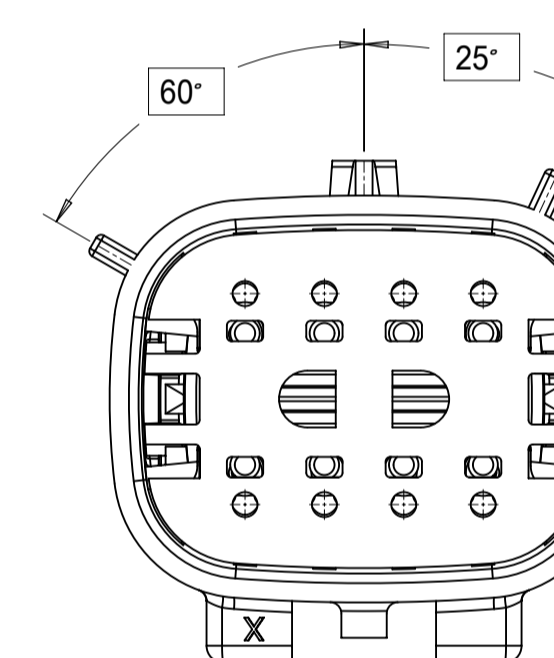
2X4



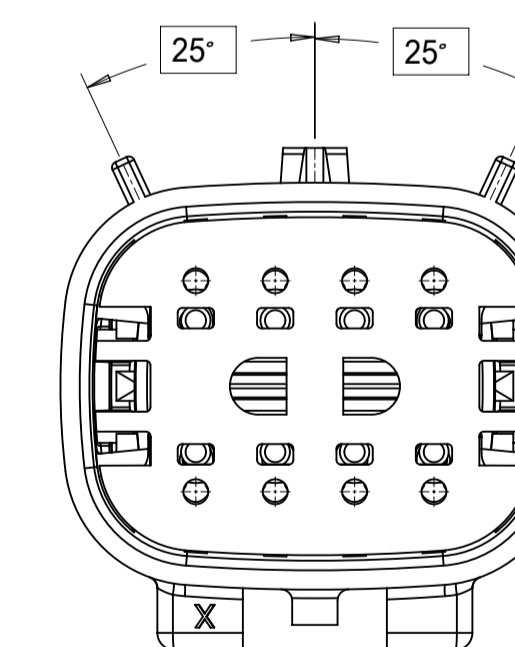
KEY A



KEY B



KEY C



KEY D

THIS DRAWING CONTAINS INFORMATION THAT IS PROPRIETARY TO MOLEX ELECTRONIC TECHNOLOGIES, LLC AND SHOULD NOT BE USED WITHOUT WRITTEN PERMISSION

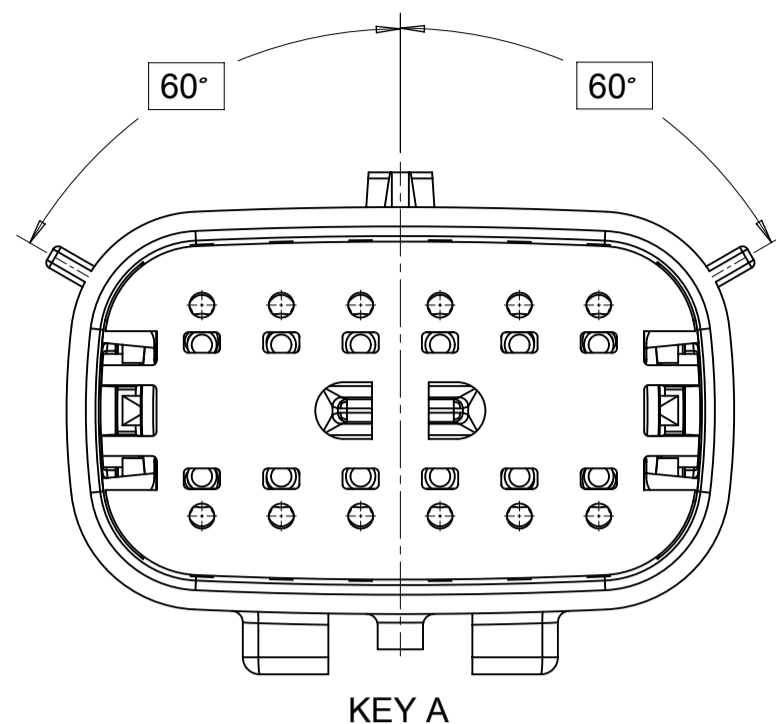
SYMBOLS	DIMENSION UNITS	SCALE
	mm	3:1
	GENERAL TOLERANCES (UNLESS SPECIFIED)	
	ANGULAR TOL ± 1.0°	
	4 PLACES	±
	3 PLACES	±
	2 PLACES	± 0.1
	1 PLACE	± 0.2
	0 PLACES	±
	DRAFT WHERE APPLICABLE MUST REMAIN WITHIN DIMENSIONS	
	THIRD ANGLE PROJECTION	DRAWING
	A1-SIZE	SERIES
	33482	

CURRENT REV DESC:		
EC NO:	171650	
DRWN:	PMANJUNATHAC	2018/01/03
CHK'D:	MVANSLAMBROU	2018/02/16
APPR:	MVANSLAMBROU	2018/02/16
INITIAL REVISION:		
DRWN:	APROFFITT	2014/04/28
APPR:	VKOSHY	2014/05/14

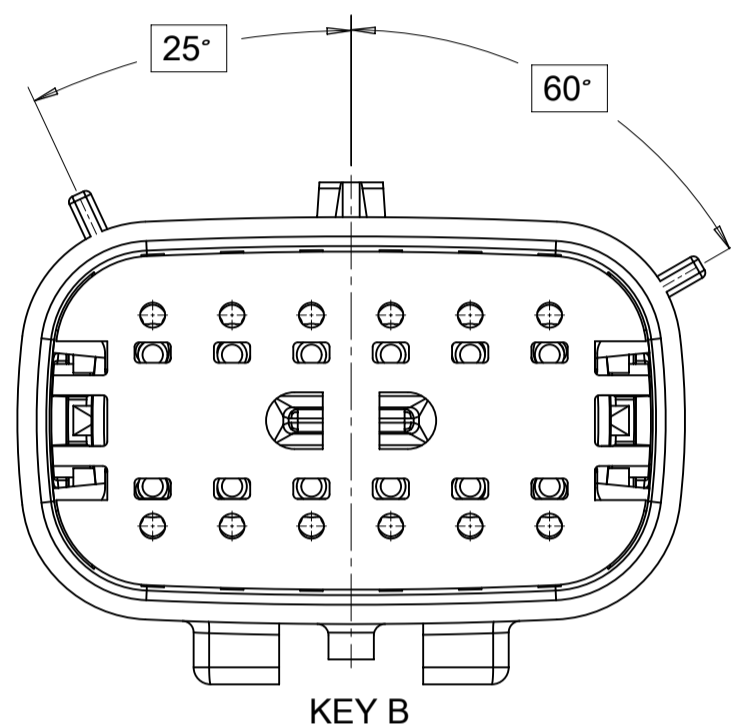
molex		
MX150 BLADE DUAL ROW SEALED ASSEMBLY MAT SEAL		
PRODUCT CUSTOMER DRAWING		
DOCUMENT NUMBER	DOC TYPE	DOC PART
SD-33482-0001	PSD	001
MATERIAL NUMBER	CUSTOMER	SHEET NUMBER
	GENERAL MARKET	3 OF 11

SHEET DESCRIPTION
KEY CONFIGURATIONS CONT.

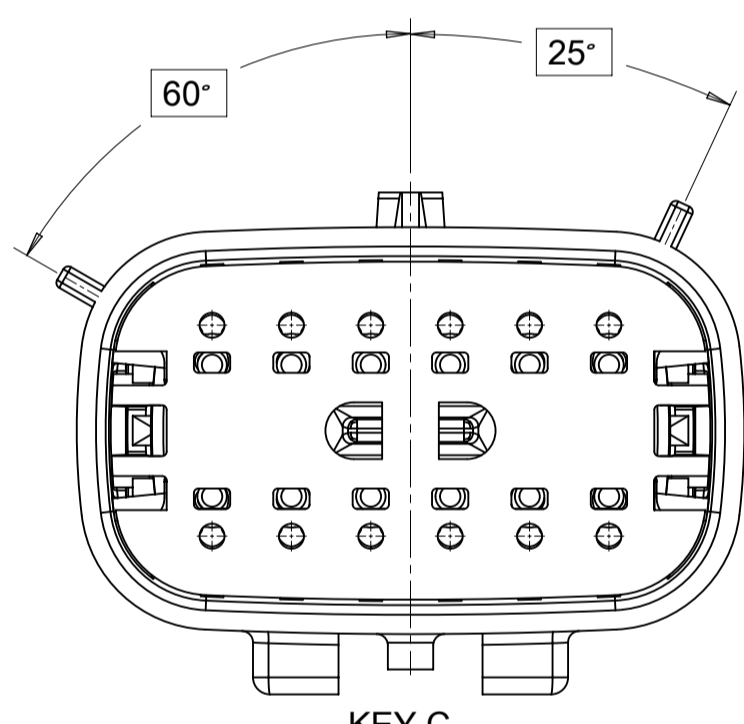
2X6



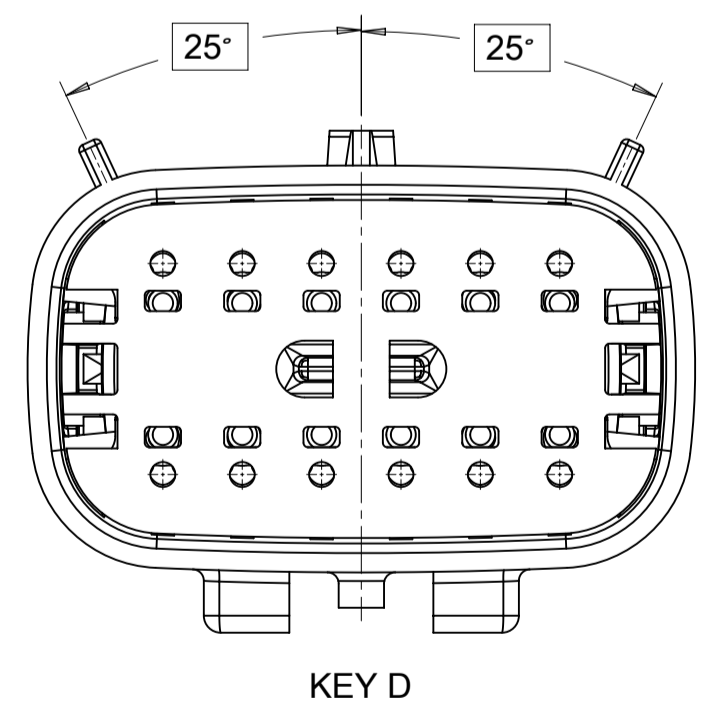
KEY A



KEY B

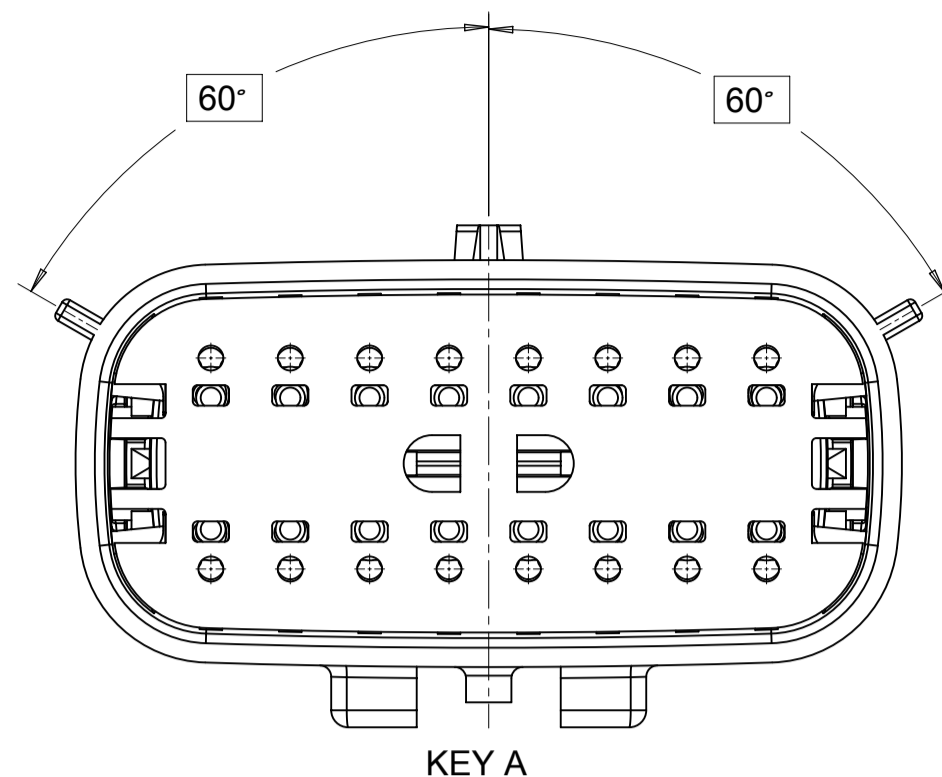


KEY C

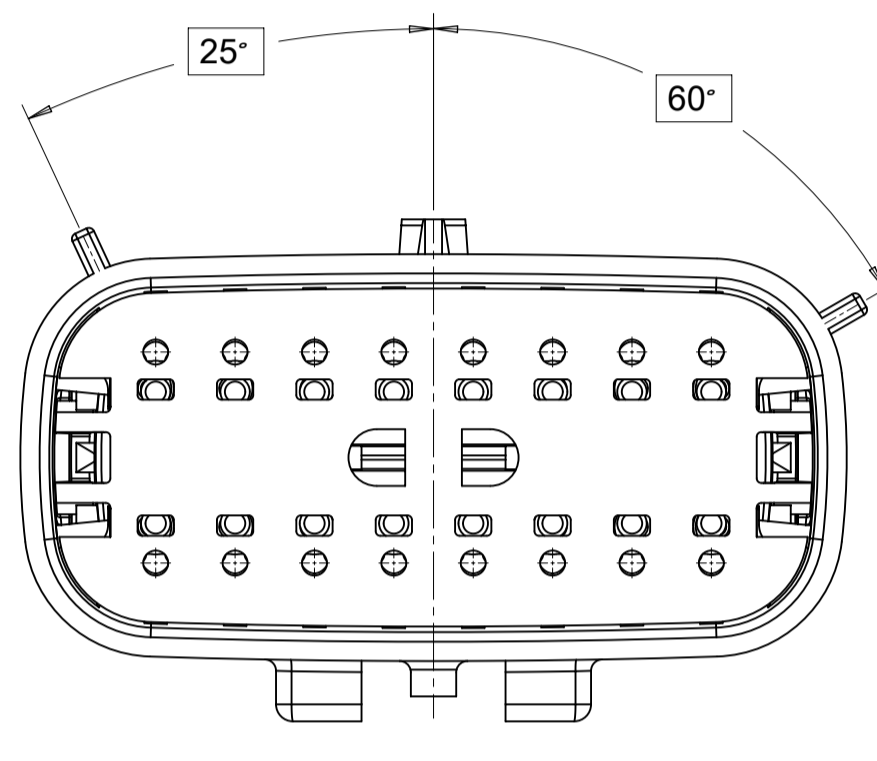


KEY D

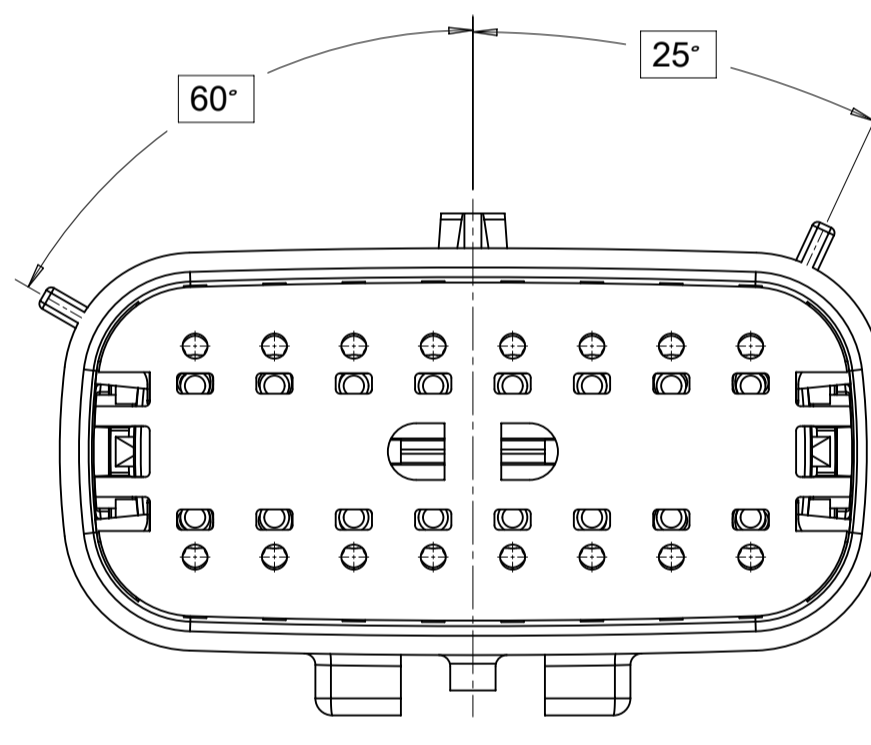
2X8



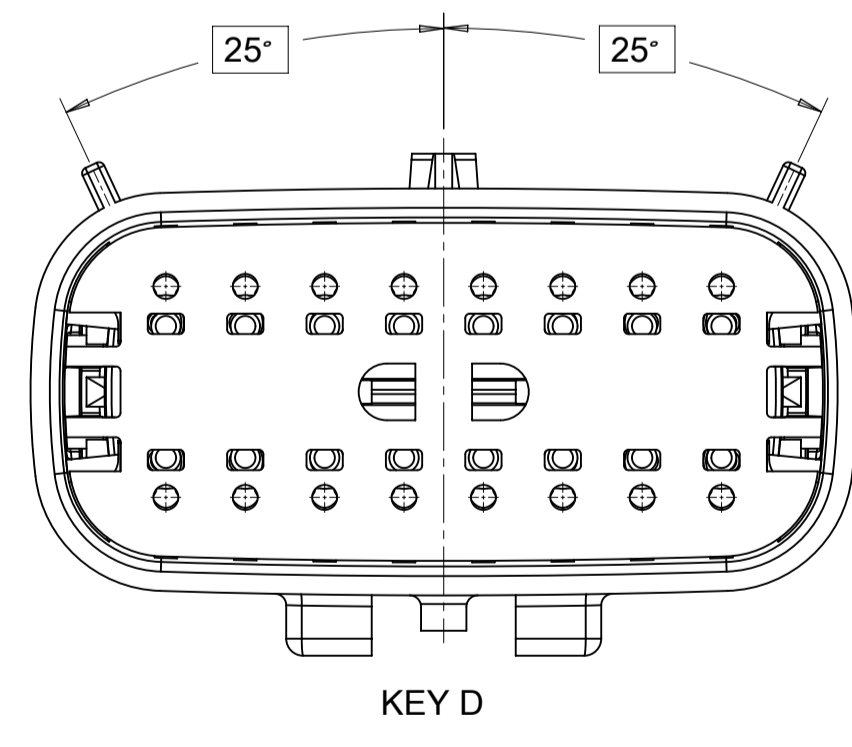
KEY A



KEY B

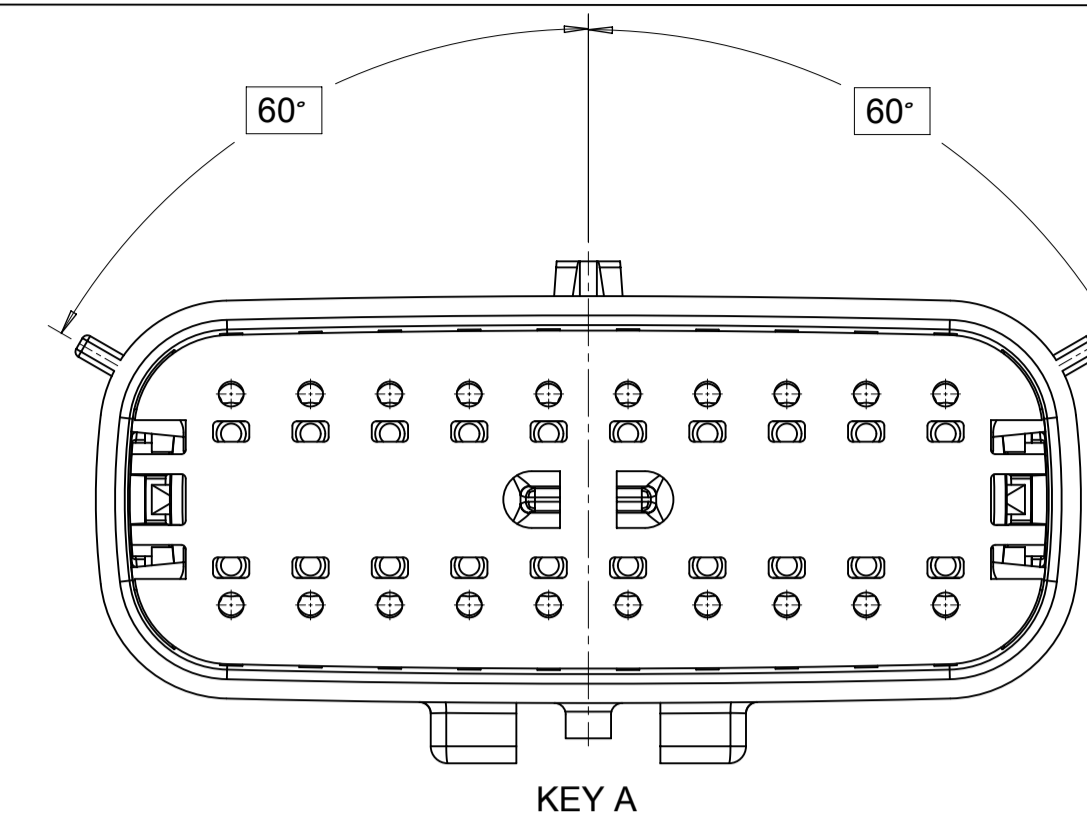


KEY C

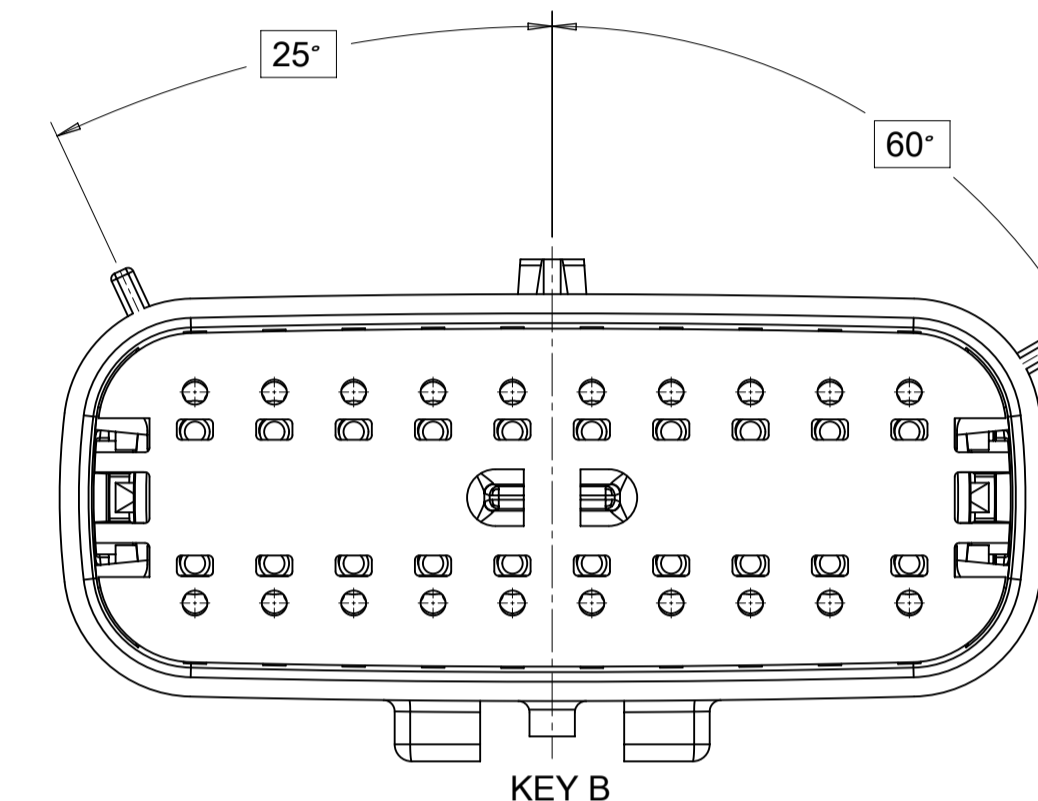


KEY D

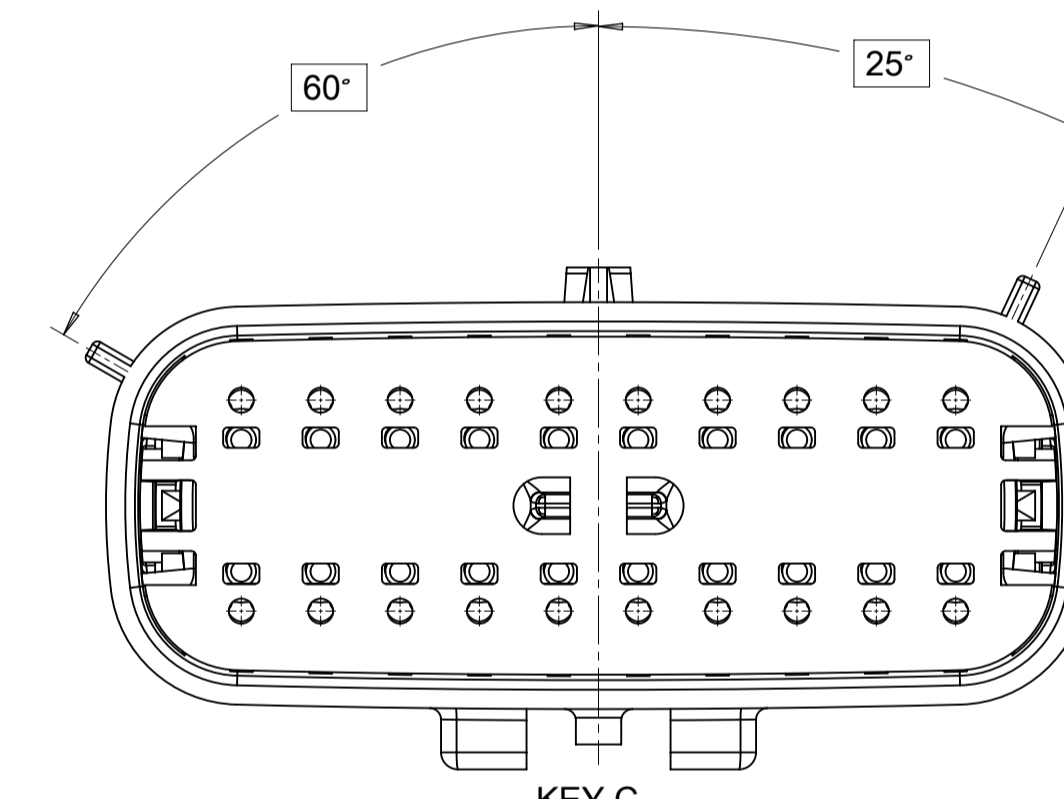
2X10



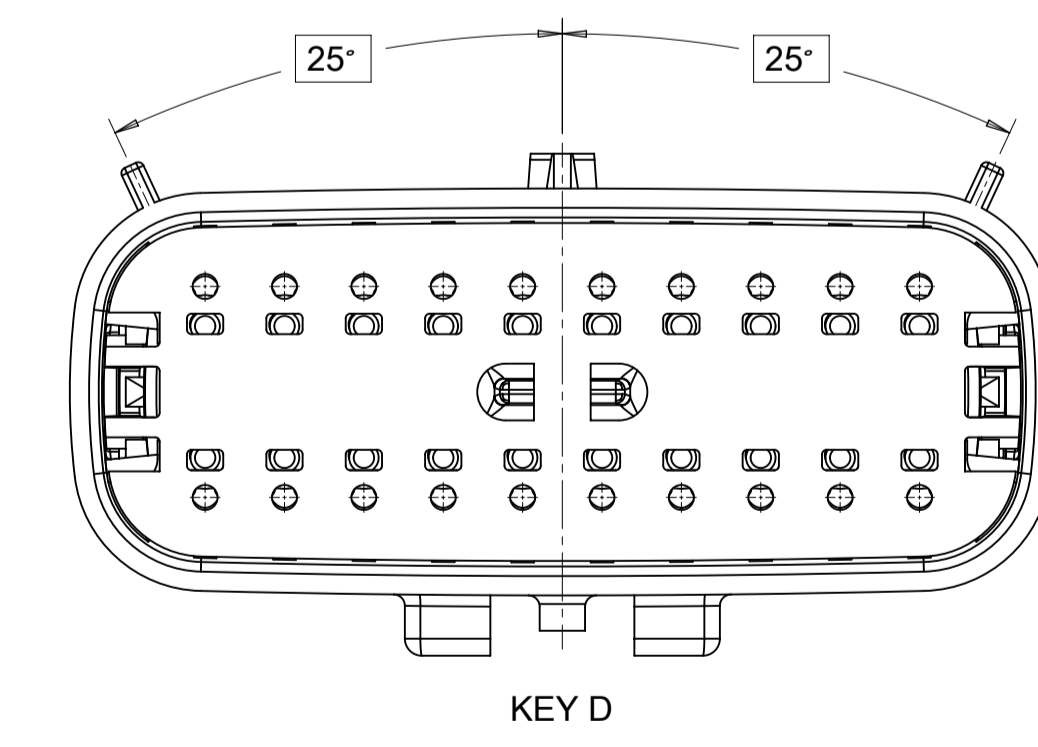
KEY A



KEY B



KEY C

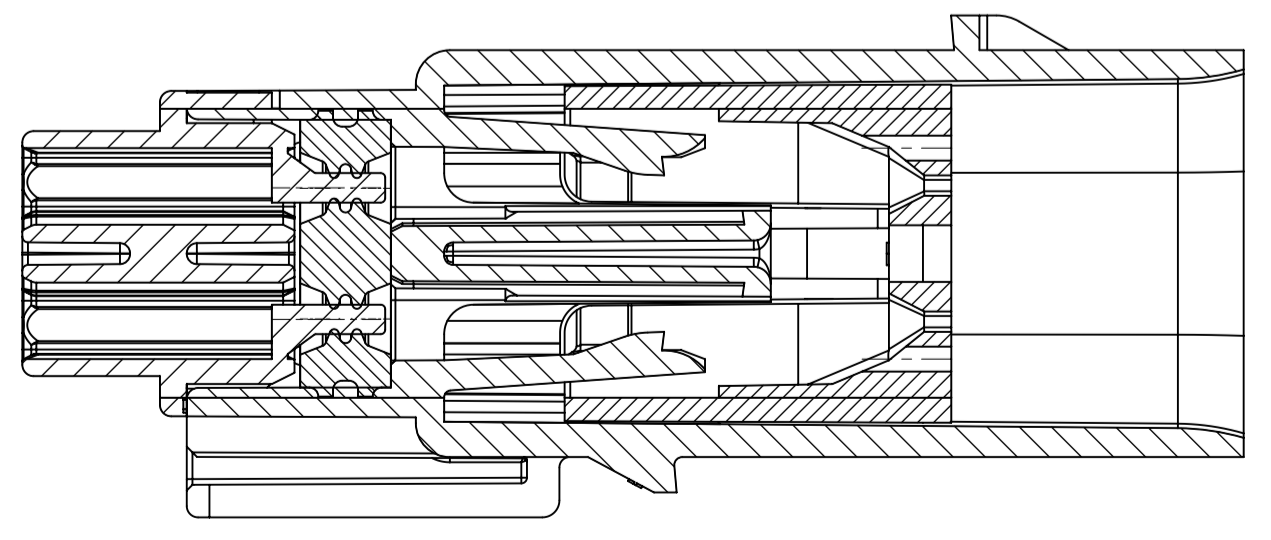
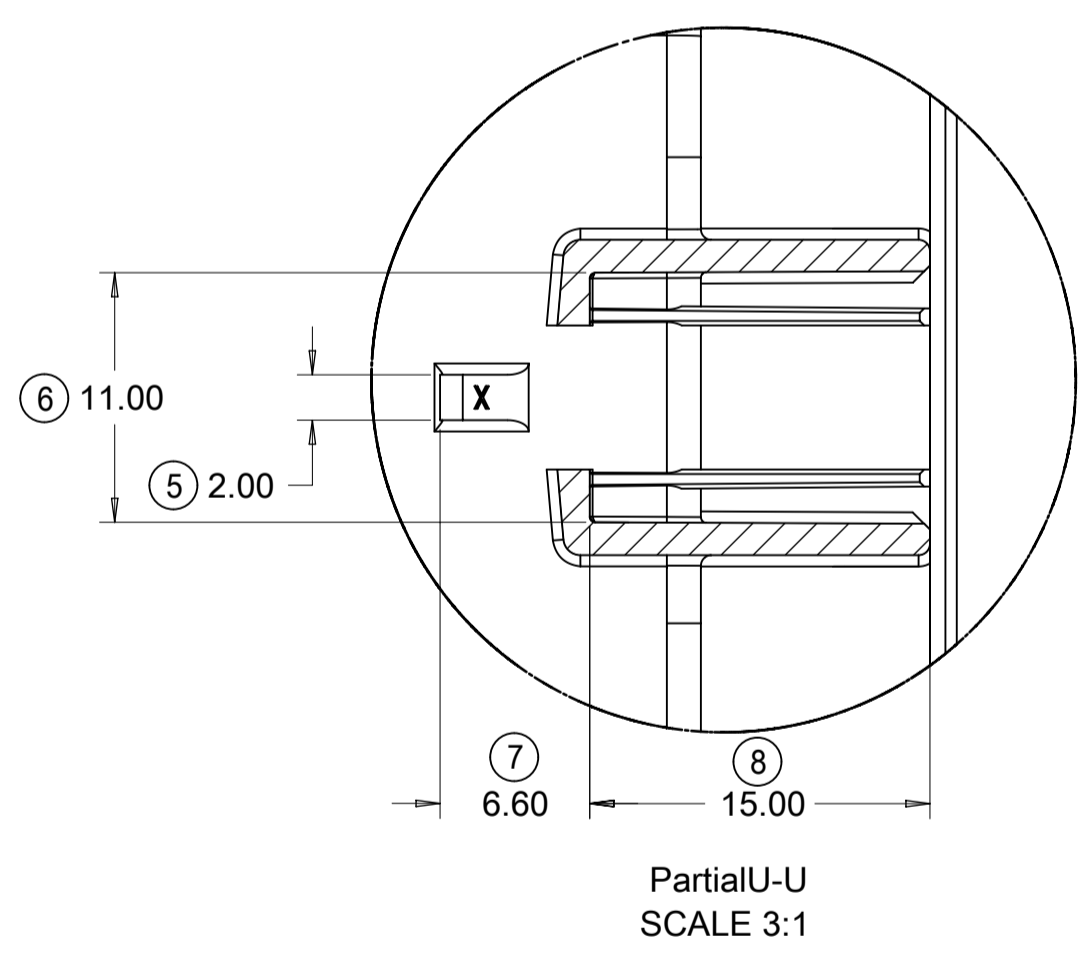
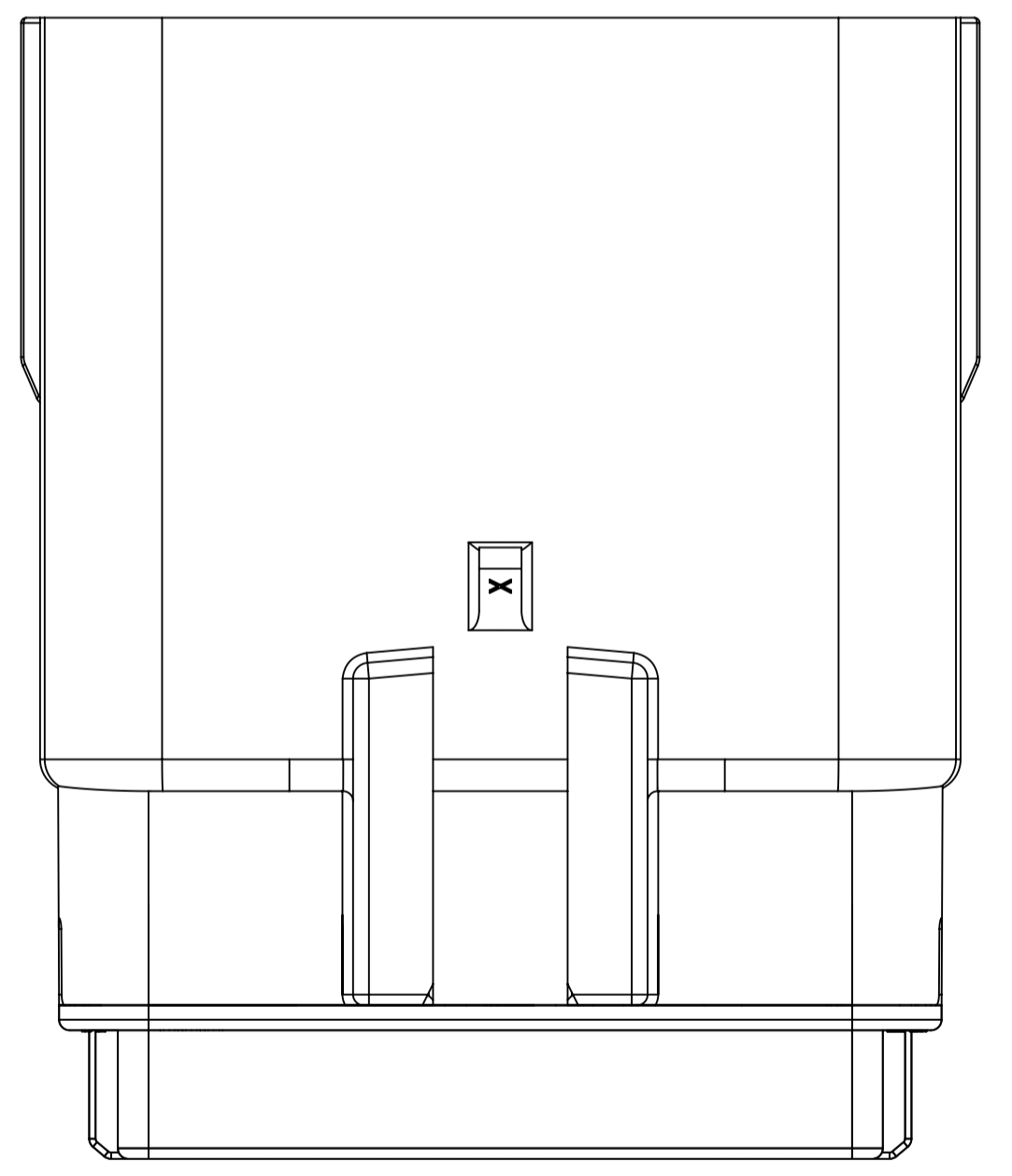
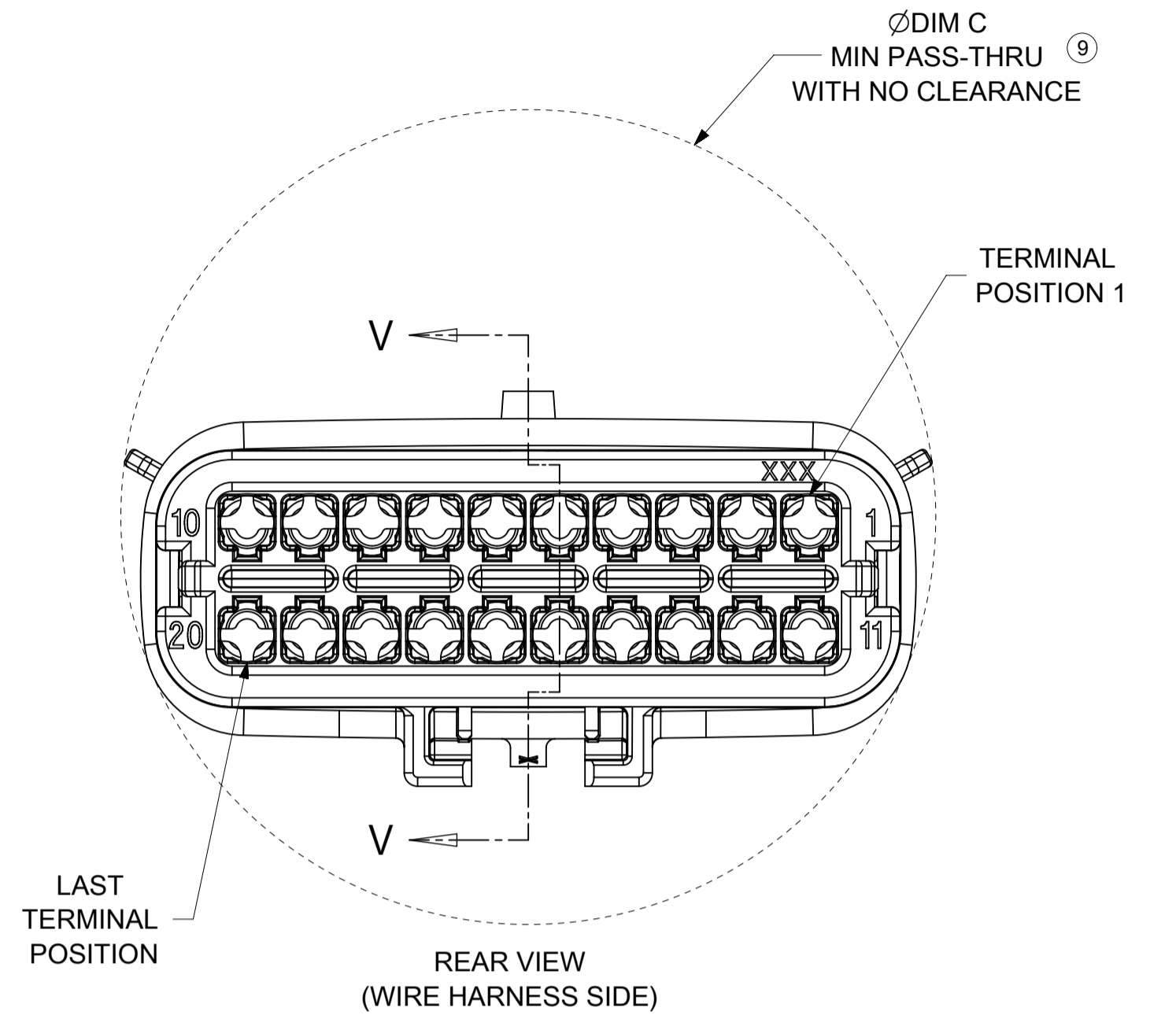
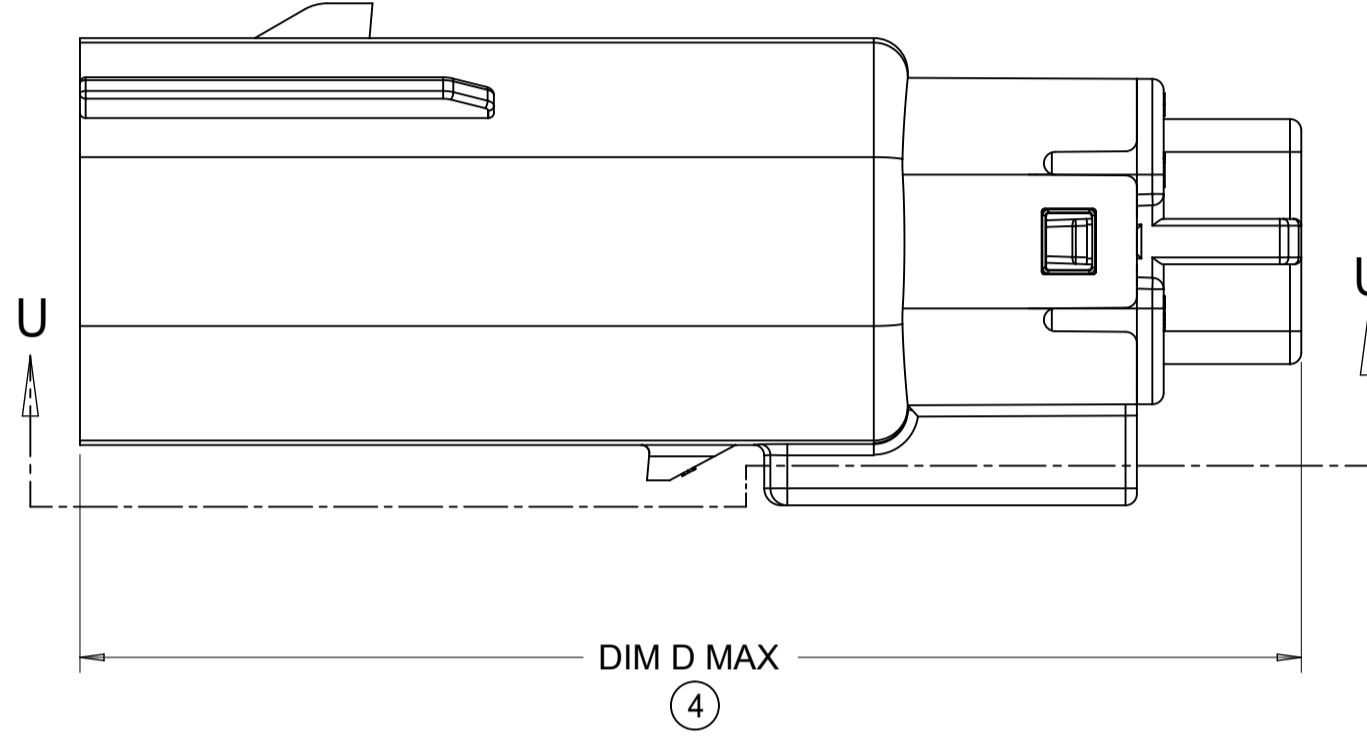
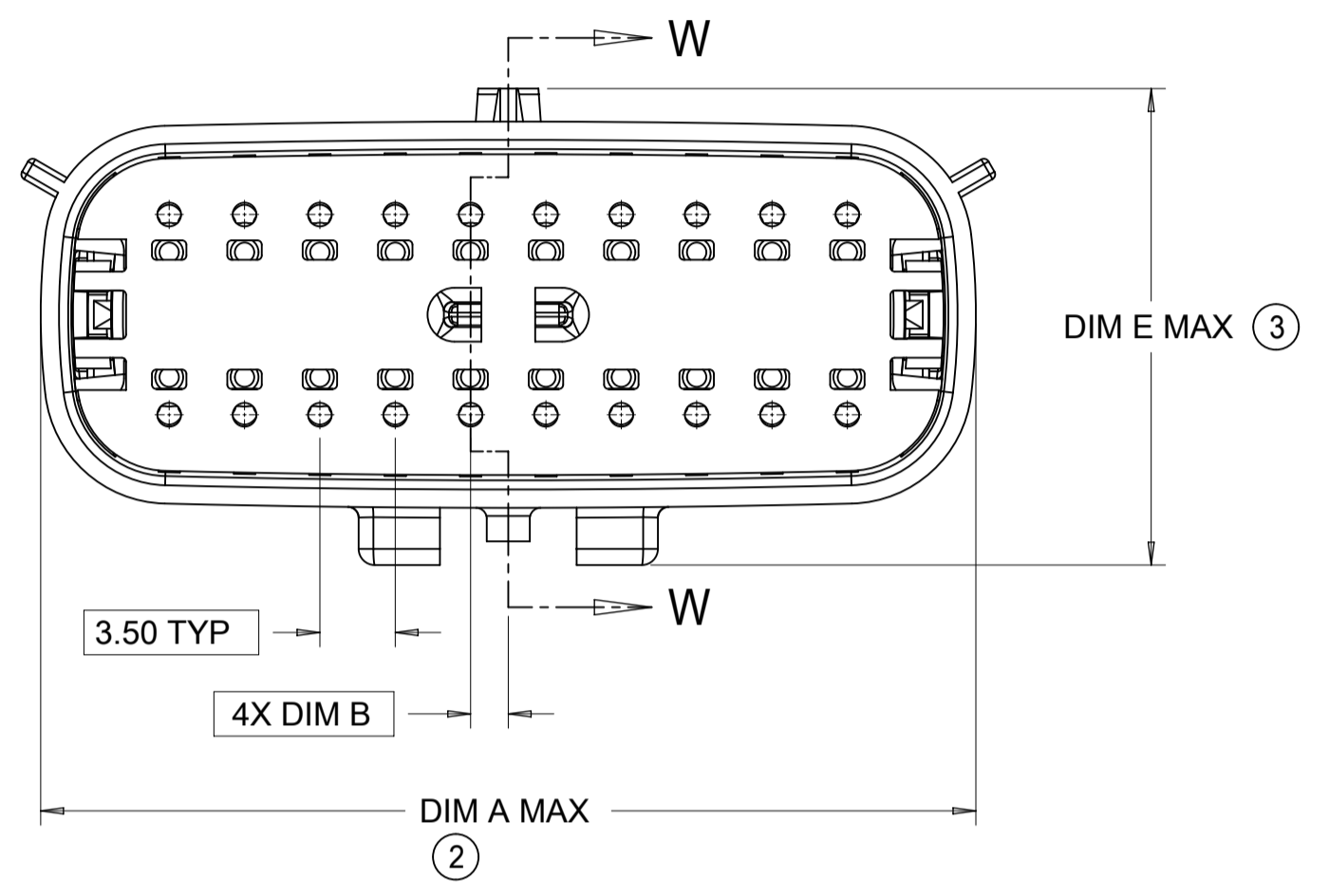
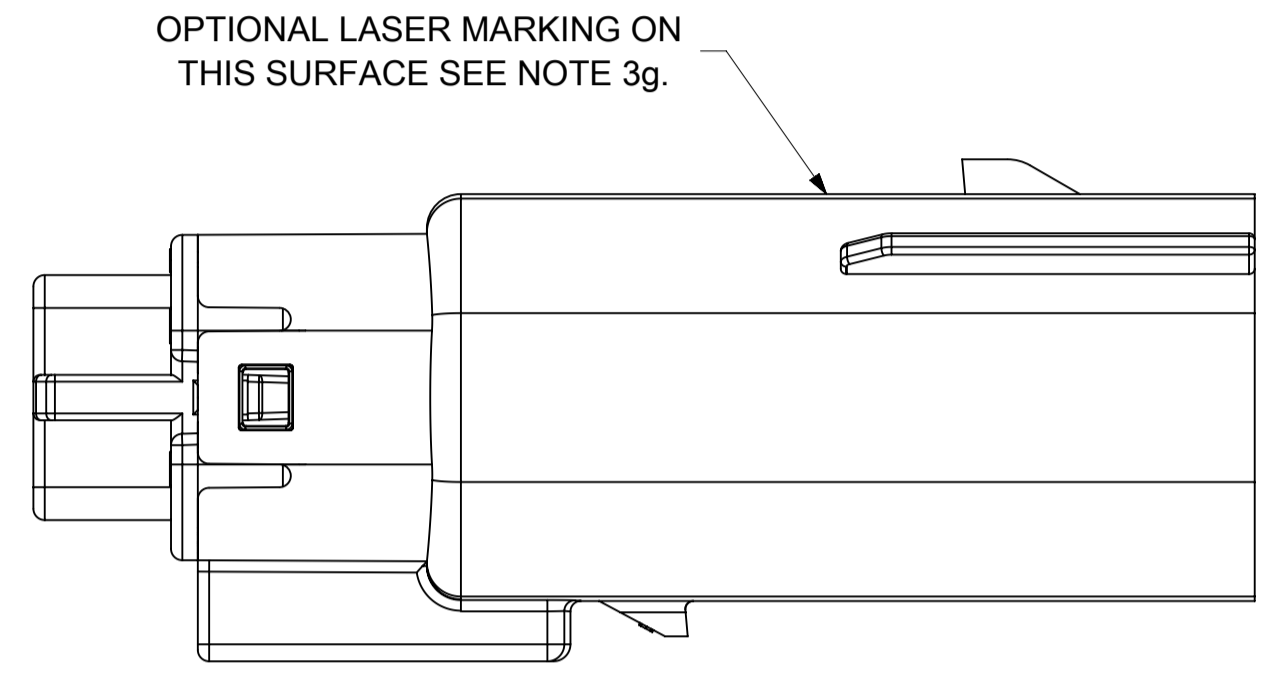


KEY D

SYMBOLS	THIS DRAWING CONTAINS INFORMATION THAT IS PROPRIETARY TO MOLEX ELECTRONIC TECHNOLOGIES, LLC AND SHOULD NOT BE USED WITHOUT WRITTEN PERMISSION		CURRENT REV DESC:						
	DIMENSION UNITS	SCALE						EC NO: 171650	DRWN: PMANJUNATHAC 2018/01/03
▽ = 0	mm	3:1	GENERAL TOLERANCES (UNLESS SPECIFIED)	CHK'D: MVANSLAMBROU 2018/02/16	DUAL ROW SEALED ASSEMBLY MAT SEAL				
▽ = 0	ANGULAR TOL ± 1.0°		APPR: MVANSLAMBROU 2018/02/16	PRODUCT CUSTOMER DRAWING		DOCUMENT NUMBER	DOC TYPE	DOC PART	REVISION
▽ = 0	4 PLACES ±	INITIAL REVISION:	DRWN: APROFFITT 2014/04/28	SD-33482-0001		PSD	001	E2	
▽ = 0	3 PLACES ±	DRWN: APROFFITT 2014/05/14	APPR: VKOSHY	MATERIAL NUMBER		CUSTOMER		SHEET NUMBER	
▽ = 0	2 PLACES ± 0.1	THIRD ANGLE PROJECTION	DRAWING	33482		GENERAL MARKET		4 OF 11	
▽ = 0	1 PLACE ± 0.2	DRAFT WHERE APPLICABLE	SERIES						
▽ = 0	0 PLACES ±	MUST REMAIN WITHIN DIMENSIONS	A1-SIZE						
▽ = 0									

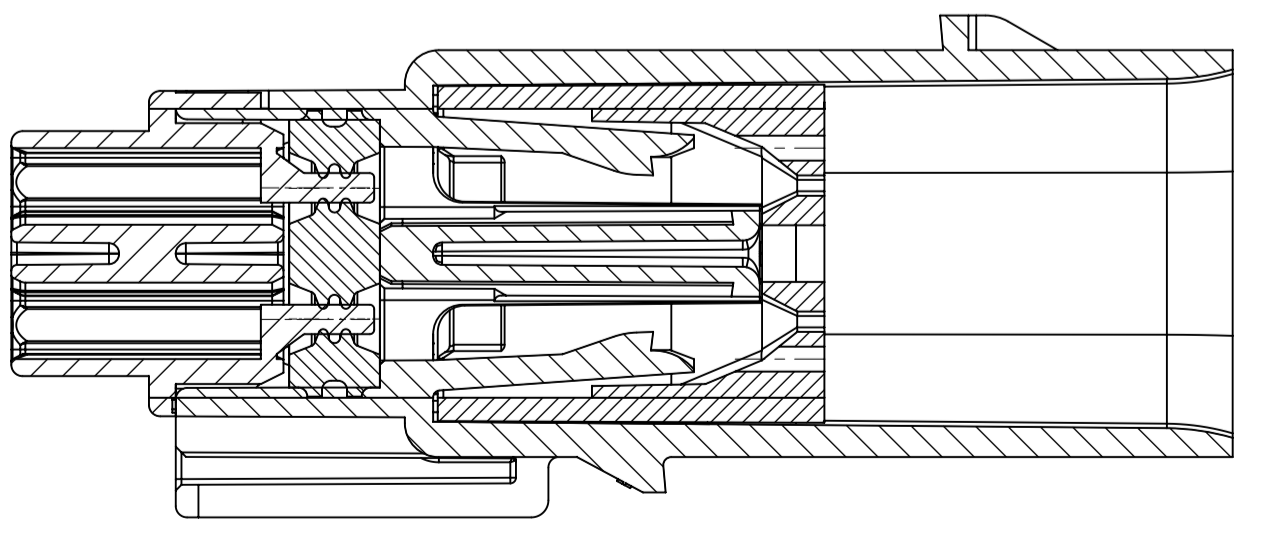
SHEET DESCRIPTION	
BLADE SEALED ASSEMBLY	

CHARTED DIMENSION					
DESCRIPTION	DIMENSIONS				
	A	B	C	D	E
2X2	15.54	1.75	24.40	54.45	22.23
2X3 STANDARD	19.04	3.50	26.21	54.45	22.23
2X3 LENGTHENED	19.04	3.50	26.21	56.45	22.23
2X4	22.54	1.75	27.21	54.45	22.23
2X6	29.54	1.75	32.27	54.45	22.23
2X8	36.54	1.75	38.88	54.45	22.23
2X10	43.64	1.75	45.65	54.45	22.05



PRIMARY LOCK REINFORCEMENT (PLR) SHOWN IN PRE-STAGED POSITION

SECTION W-W



PRIMARY LOCK REINFORCEMENT (PLR) SHOWN IN FINAL-LOCK POSITION

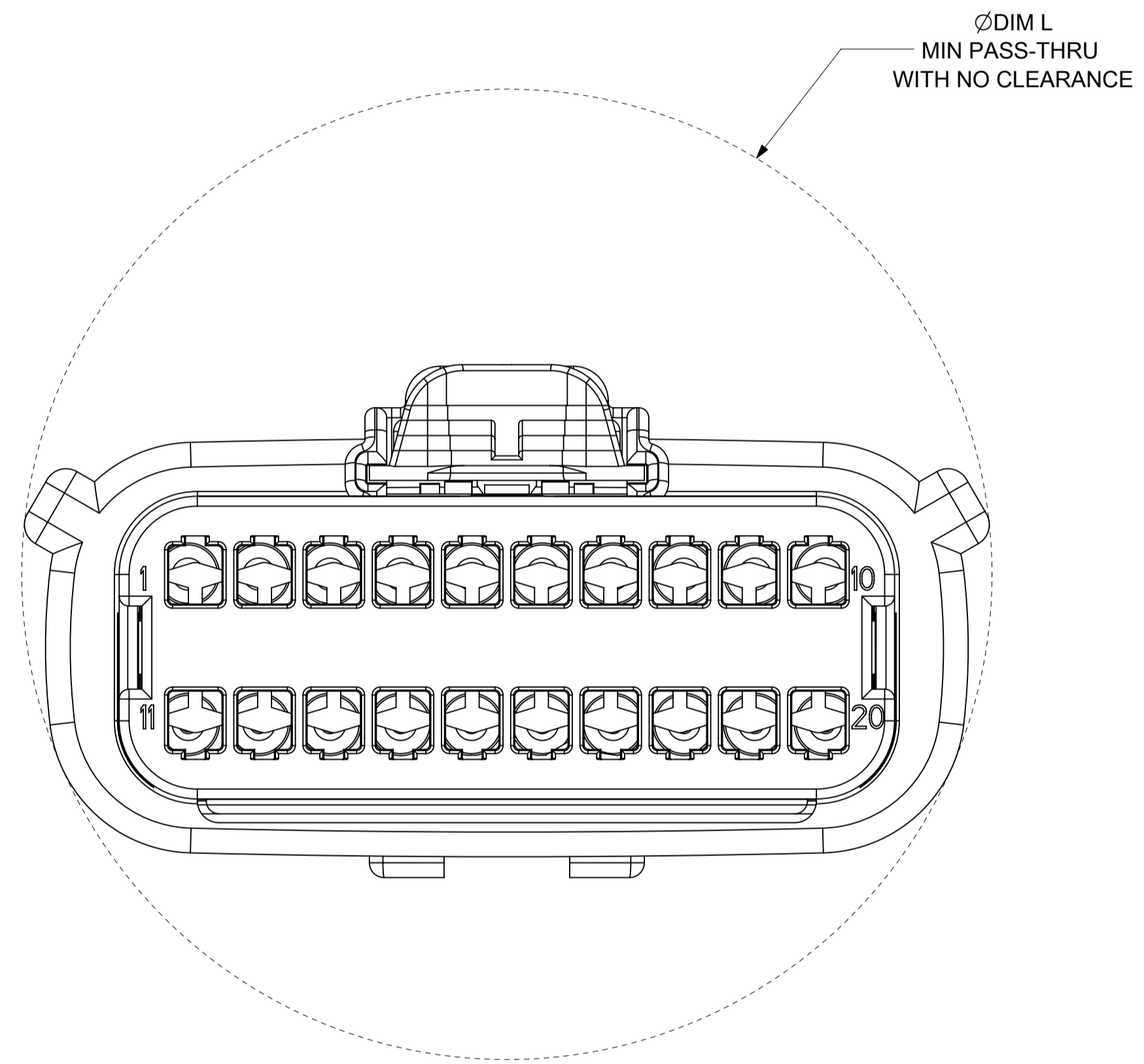
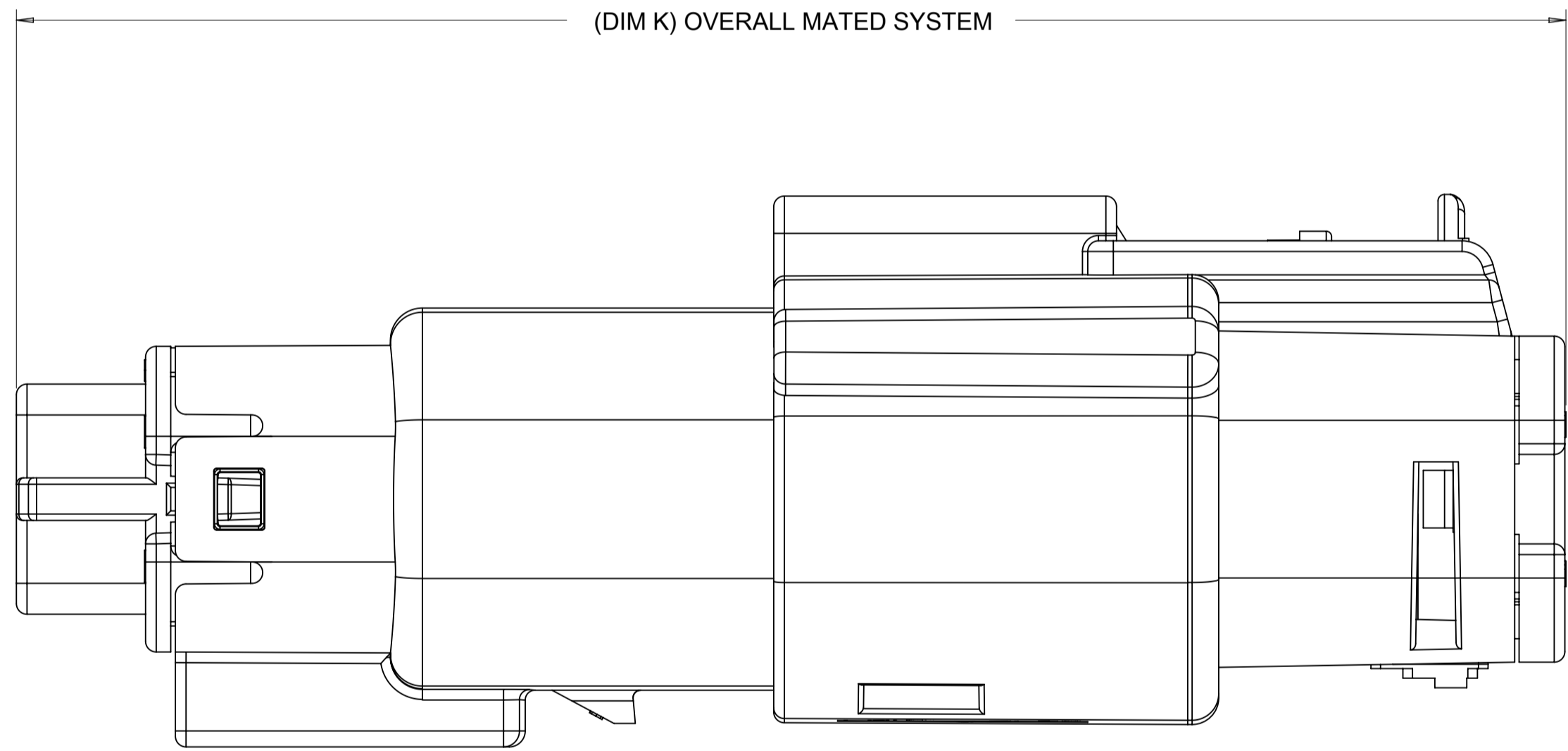
SECTION V-V

SYMBOLS THIS DRAWING CONTAINS INFORMATION THAT IS PROPRIETARY TO MOLEX ELECTRONIC TECHNOLOGIES, LLC AND SHOULD NOT BE USED WITHOUT WRITTEN PERMISSION DIMENSION UNITS: mm SCALE: 3:1 GENERAL TOLERANCES (UNLESS SPECIFIED): ANGULAR TOL: ± 1.0° 4 PLACES: ± 3 PLACES: ± 2 PLACES: ± 0.1 1 PLACE: ± 0.2 0 PLACES: ± DRAFT WHERE APPLICABLE MUST REMAIN WITHIN DIMENSIONS	CURRENT REV DESC:		 MX150 BLADE DUAL ROW SEALED ASSEMBLY MAT SEAL			
	EC NO: 171650 DRWN: PMANJUNATHAC 2018/01/03 CHK'D: MVANSLAMBROU 2018/02/16 APPR: MVANSLAMBROU 2018/02/16				PRODUCT CUSTOMER DRAWING	
	INITIAL REVISION: DRWN: APROFFITT 2014/04/28 APPR: VKOSHY 2014/05/14		DOCUMENT NUMBER	DOC TYPE	DOC PART	REVISION
	THIRD ANGLE PROJECTION 		DRAWING	SERIES	MATERIAL NUMBER	CUSTOMER
		A1-SIZE	33482	SD-33482-0001	GENERAL MARKET	E2 5 OF 11

DOCUMENT STATUS	P1	RELEASE DATE	2018/02/16 22:02:26
-----------------	----	--------------	---------------------

SHEET DESCRIPTION
SYSTEM PACKAGING

CHARTED DIMENSION				
CKT	BLADE CONFIGURATION	RECEPTACLE CONFIGURATION	DIMENSIONS	
			K	L
2X2	STANDARD	W/O CLIPSLOT	72.78	28.00
		W/ CLIPSLOT	72.78	28.50
		LENGTHENED	77.21	28.00
2X3	STANDARD	W/O CLIPSLOT	72.78	28.00
		W/ CLIPSLOT		30.50
	LENGTHENED	W/O CLIPSLOT	74.79	28.00
		W/ CLIPSLOT		30.50
2X4	STANDARD	W/O CLIPSLOT	72.78	29.50
		W/ CLIPSLOT		31.50
2X6	STANDARD	W/O CLIPSLOT	72.79	35.58
		W/ CLIPSLOT		
2X8	STANDARD	W/O CLIPSLOT	72.67	42.25
		W/ CLIPSLOT		
2X10	STANDARD	STANDARD	72.78	49.05



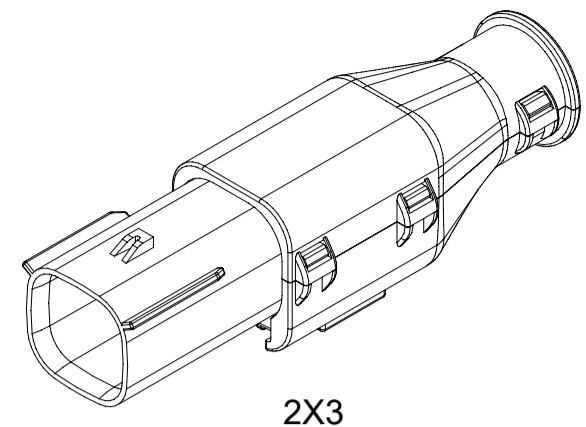
SYMBOLS ▽ = 0 ▽ = 0 ▽ = 0 ▽ = 0 ▽ = 0 ▽ = 0 ▽ = 0 ▽ = 0 ▽ = 0 ▽ = 0	THIS DRAWING CONTAINS INFORMATION THAT IS PROPRIETARY TO MOLEX ELECTRONIC TECHNOLOGIES, LLC AND SHOULD NOT BE USED WITHOUT WRITTEN PERMISSION	DIMENSION UNITS	SCALE	CURRENT REV DESC:						
	mm	4:1	EC NO: 171650 DRWN: PMANJUNATHAC 2018/01/03 CHK'D: MVANSLAMBROU 2018/02/16 APPR: MVANSLAMBROU 2018/02/16							
	GENERAL TOLERANCES (UNLESS SPECIFIED)				INITIAL REVISION: DRWN: APROFFITT 2014/04/28 APPR: VKOSHY 2014/05/14			PRODUCT CUSTOMER DRAWING		
	ANGULAR TOL ± 1.0°							DOCUMENT NUMBER: SD-33482-0001 DOC TYPE: PSD DOC PART: 001 REVISION: E2		
	4 PLACES ±				MATERIAL NUMBER: 33482 CUSTOMER: GENERAL MARKET SHEET NUMBER: 6 OF 11					
	3 PLACES ±									
	2 PLACES ± 0.1				THIRD ANGLE PROJECTION DRAWING: A1-SIZE SERIES: 33482					
	1 PLACE ± 0.2									
	0 PLACES ±				DRAFT WHERE APPLICABLE MUST REMAIN WITHIN DIMENSIONS					
	DRAFT WHERE APPLICABLE MUST REMAIN WITHIN DIMENSIONS									

SHEET DESCRIPTION
BACKSHELL NOTES

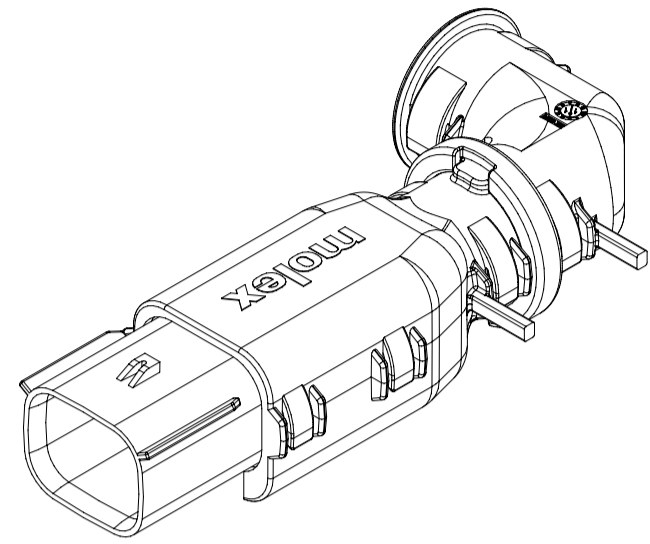
BACKSHELL NOTES: VALID UNLESS OTHERWISE SPECIFIED

1. GENERAL:

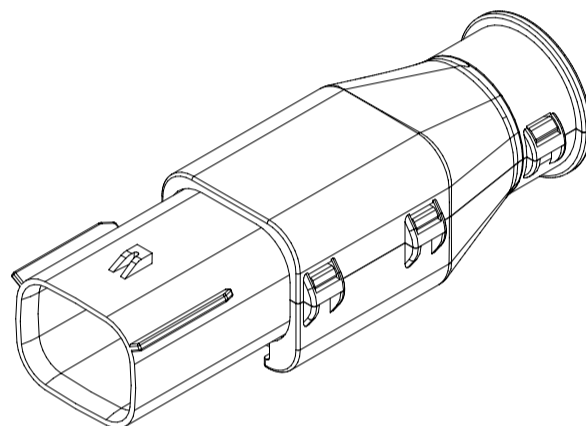
- a. APPLICATION SPECIFICATION SEE: AS-34951-001
- DESIGNED TO MATE WITH BLADE SEALED ASSEMBLY SPECIFIED IN MOLEX DRAWING SD-33482-0001.
- SYSTEM TO BE USED WITH WIRE WITHIN DIAMETER RANGE OF 1.2mm TO 2.69mm.
- COMPONENTS ARE OPTIONAL AND MUST BE PURCHASED SEPERATELY.
- DESIGN IS OWNED BY SCHLEMMER FOR SCHLEMMER BACKSHELL.
- DESIGN IS OWNED BY MOLEX FOR MOLEX BACKSHELL.
- 90° ADAPTOR DESIGN IS OWNED BY MOLEX.
- FOR ADDITIONAL INFORMATION SEE THE BACKSHELL COMPONENT DRAWING SD-34950-0001.



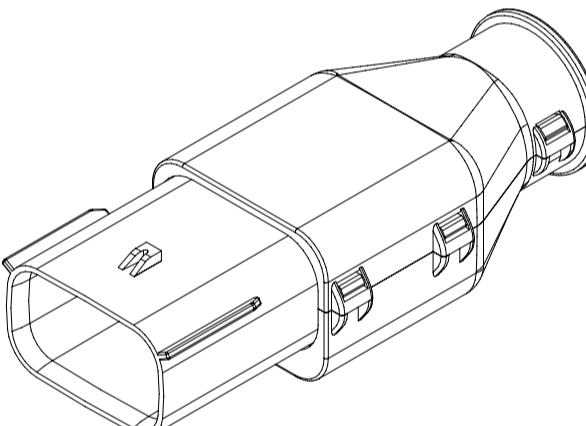
2X3



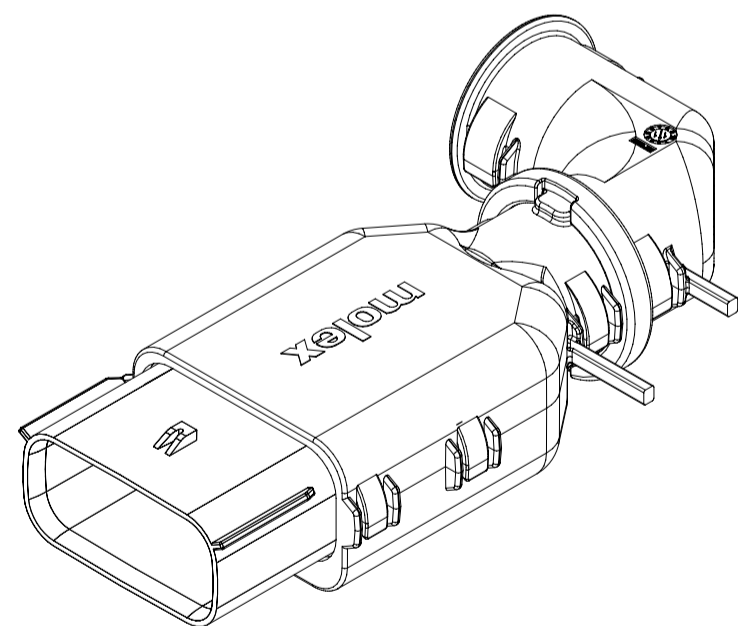
2X4



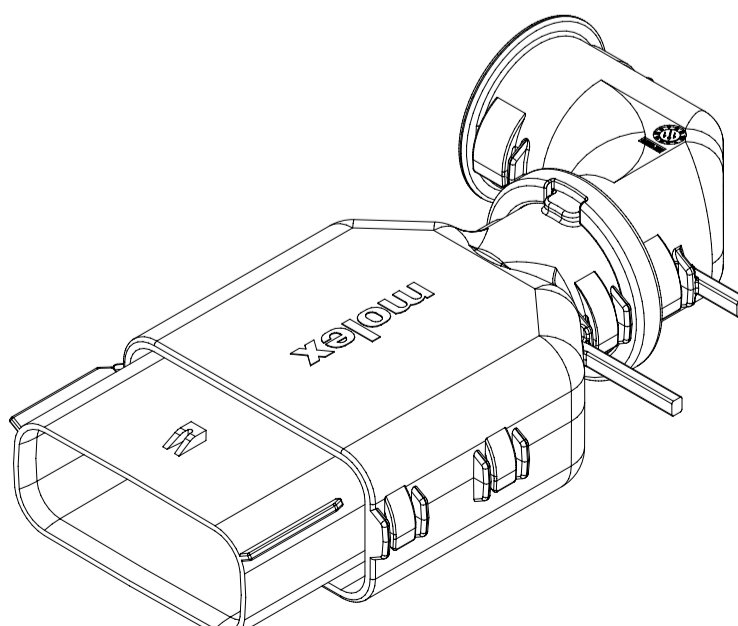
2X4



2X6



2X8



2X10

BACKSHELL CUSTOMER MODEL NUMBER LEGEND

34950-XXXX

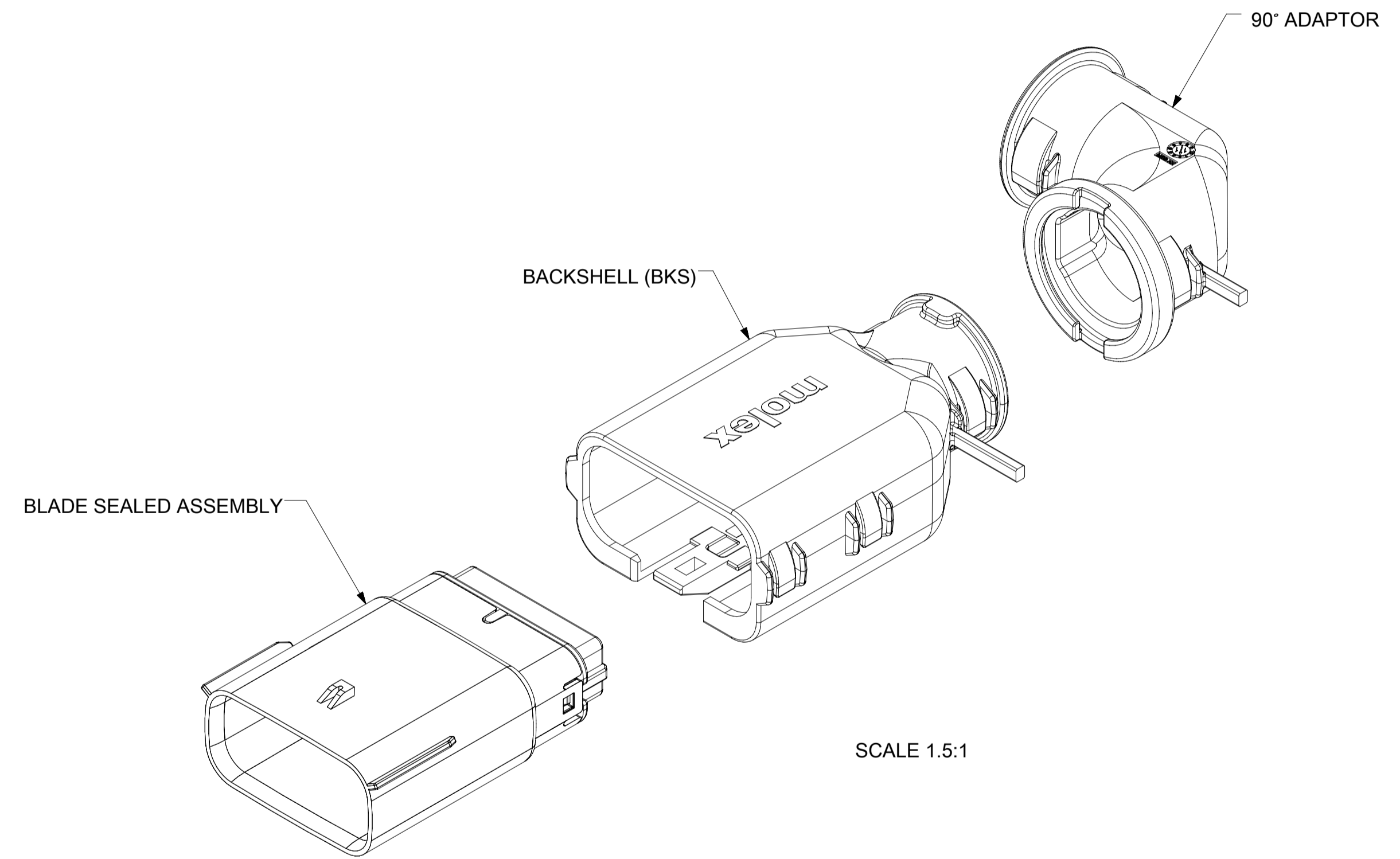
CUSTOMER MODEL COMPONENTS

- 0 - SCHLEMMER BACKSHELL ONLY
- 1 - SCHLEMMER BACKSHELL & MX150 HOUSING KEY A ASSEMBLY
- 2 - SCHLEMMER BACKSHELL & MX150 HOUSING KEY B ASSEMBLY
- 3 - SCHLEMMER BACKSHELL & MX150 HOUSING KEY C ASSEMBLY
- 4 - SCHLEMMER BACKSHELL & MX150 HOUSING KEY D ASSEMBLY
- 5 - MOLEX BACKSHELL ONLY
- 6 - MOLEX BACKSHELL & MX150 HOUSING KEY A ASSEMBLY
- 7 - MOLEX BACKSHELL & MX150 HOUSING KEY B ASSEMBLY
- 8 - MOLEX BACKSHELL & MX150 HOUSING KEY C ASSEMBLY
- 9 - MOLEX BACKSHELL & MX150 HOUSING KEY D ASSEMBLY

BACKSHELL FEATURES

- 1 - WITH RIBS
- 2 - WITHOUT RIBS
- 3 - 90° ADAPTOR

MX150 CIRCUIT SIZE 04, 06, 08, 12, 16, 20



SYMBOLS	THIS DRAWING CONTAINS INFORMATION THAT IS PROPRIETARY TO MOLEX ELECTRONIC TECHNOLOGIES, LLC AND SHOULD NOT BE USED WITHOUT WRITTEN PERMISSION		CURRENT REV DESC:						
	DIMENSION UNITS	SCALE						EC NO: 171650	DRWN: PMANJUNATHAC 2018/01/03
▽ = 0	mm	1.5:1	DRWN: APROFFITT 2014/04/28	CHK'D: MVANSLAMBROU 2018/02/16	SD-33482-0001	PSD	001	E2	
▽ = 0	GENERAL TOLERANCES (UNLESS SPECIFIED)		APPR: VKOSHY 2014/05/14	APPR: MVANSLAMBROU 2018/02/16					PRODUCT CUSTOMER DRAWING
▽ = 0	ANGULAR TOL ± 1.0°		INITIAL REVISION:		DOCUMENT NUMBER			SHEET NUMBER	
▽ = 0	4 PLACES ±		DRWN: APROFFITT 2014/04/28		MATERIAL NUMBER		CUSTOMER		
▽ = 0	3 PLACES ±		APPR: VKOSHY 2014/05/14		SERIES		GENERAL MARKET		
▽ = 0	2 PLACES ± 0.1		DRAWING		33482		7 OF 11		
▽ = 0	1 PLACE ± 0.2		THIRD ANGLE PROJECTION		A1-SIZE				
▽ = 0	0 PLACES ±		DRAWING		33482				
▽ = 0	DRAFT WHERE APPLICABLE MUST REMAIN WITHIN DIMENSIONS		DRAWING		33482				
▽ = 0			DRAWING		33482				

