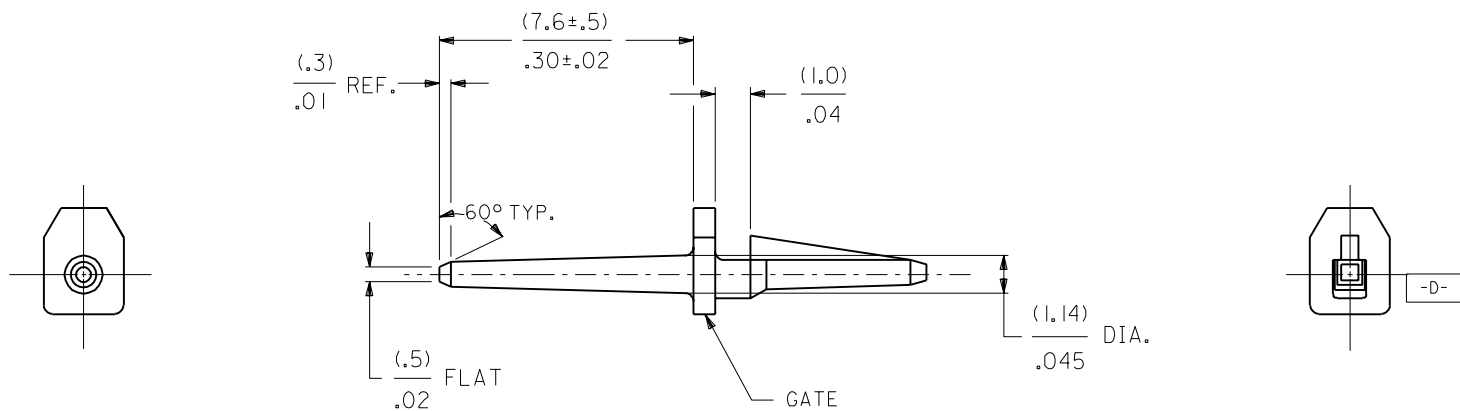


NOTES:

1. RECOMMENDED P.C. BOARD HOLE DIA. (1.50)±.059 MIN.



4161-2  
15-04-92 10

---	SEE SHEET 1.....	---	SEE SHEET 1.....
---	SEE SHEET 1.....	---	SEE SHEET 1.....
---	SEE SHEET 1.....	---	SEE SHEET 1.....
---	SEE SHEET 1.....	---	SEE SHEET 1.....
---	SEE SHEET 1.....	---	SEE SHEET 1.....
---	SEE SHEET 1.....	---	SEE SHEET 1.....
LTR.	REVISIONS	LTR.	REVISIONS

DIMENSIONS SHOWN (METRIC) INCH	
UNLESS OTHERWISE SPECIFIED TOLERANCES: ANGULAR ± 1/2°	
	INCH      METRIC
3 PLACE	± .010      ---
2 PLACE	± .014      ± .25
1 PLACE	---      ± .36
DRAFT WHERE APPLICABLE MUST REMAIN WITHIN DIMENSIONS	
DRWG. BY	GUZIK
CHK'D. BY	PATEL
APP'D. BY	LENZ
SCALE	:

	=		=	REVISE ONLY ON CAD SYSTEM
TITLE				
(POLARIZING PEG)				
FOR KK (2:54) / 100				
MOLEX INCORPORATED		SHEET NO.	DATE	
LISLE, ILL. 60532 U.S.A.		2	10/16/87	
PART NO.		DRWG. NO.		
		SD-4161		
FILE NAME	THIS DRAWING CONTAINS INFORMATION THAT IS PROPRIETARY TO MOLEX INC. AND SHOULD NOT BE USED WITHOUT WRITTEN PERMISSION			DIV. SIZE
S4161X2				KK B