

MODEL:

# SR42UBZ4

## SmartRack® Seismic-Rated Rack Enclosure



42 Rack Units



3000 lb  
Stationary  
Load Capacity



Locking Doors  
& Side Panels



TIA/EIA  
310-D  
Standard 19-inch  
Rack Width



Toolless  
Mounting Slots



Adjustable  
Rails with  
Easy-View  
Depth Index



Strongest  
Earthquake  
Zone Rating



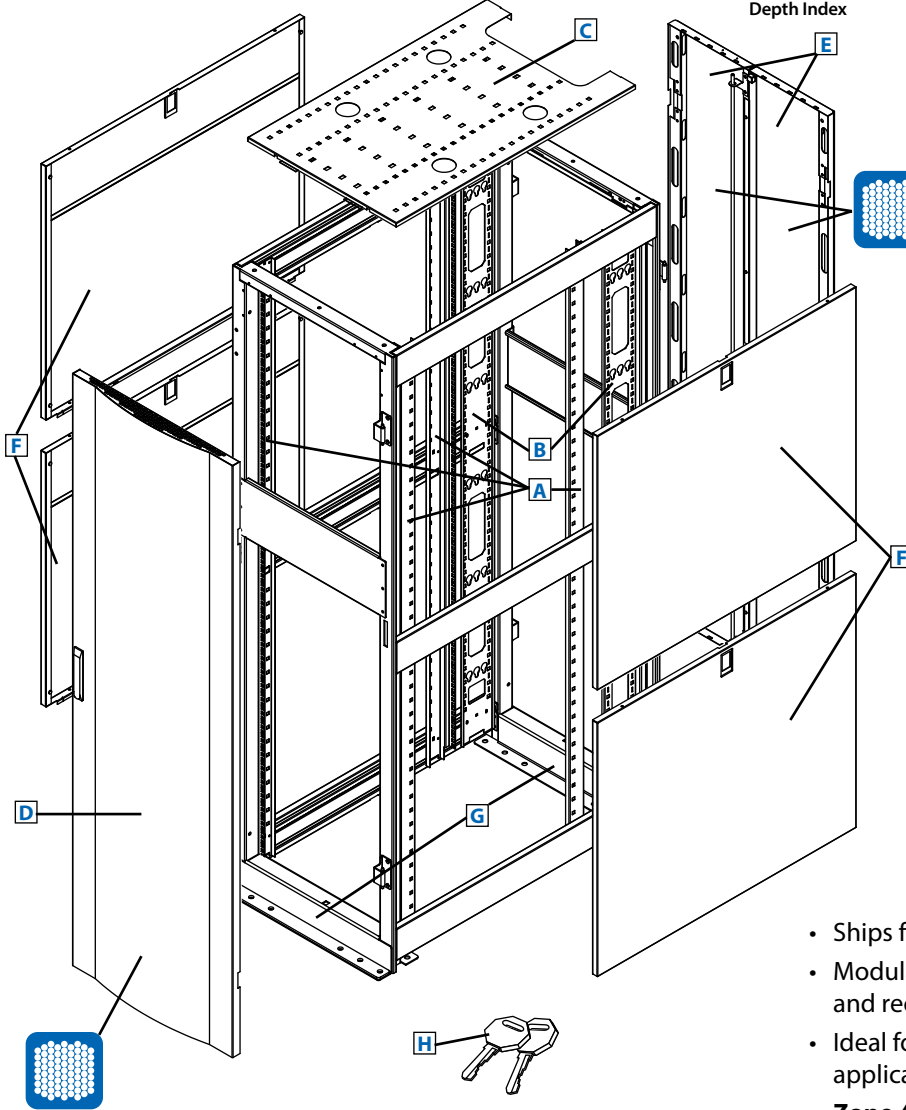
Airflow Meets  
or Exceeds  
Server OEM  
Requirements



Baying  
Brackets



Square Hole  
Mounting



- A** Adjustable Mounting Rails (4)
- B** Adjustable PDU Mounting Rails with Toolless Mounting Slots (2)
- C** Roof Panel (Removable/Reversible)
- D** Front Door (Lockable/Removable/Reversible)
- E** Split Rear Doors (Lockable/Removable/Reversible)
- F** Side Panels (4)
- G** Zone 4 Seismic Brackets
- H** Keys (For doors and side panels.)

Also Includes: Owner's manual, 2 shipping/stabilizing brackets and rackmount equipment mounting hardware (50 cage nuts, 50 mounting screws, 50 nylon cup washers).

- Ships fully assembled for rapid deployment
- Modular design optimized for quick configuration and reconfiguration
- Ideal for rackmount server, network and telecom applications
- **Zone 4 Seismic Rating:** Heavy-duty, torsion-resistant construction meets seismic requirements for the strongest earthquake zones.

### Specifications

Model	SR42UBZ4
Rack Spaces	42U
Stationary Load Capacity	3000 lb. / 1363 kg
Unit Dimensions (H x W x D)	78.5 x 23.63 x 43 in. / 1994 x 600 x 1092 mm
Shipping Dimensions (H x W x D)	85 x 26 x 45 in. / 2160 x 660 x 1143 mm
Unit Weight	353 lb. / 160 kg
Shipping Weight	395 lb. / 179 kg
Standards	Seismic Zone 4 (NEBS Telcordia/Bellcore GR-63-CORE), EIA/ECA-310-E, RoHS

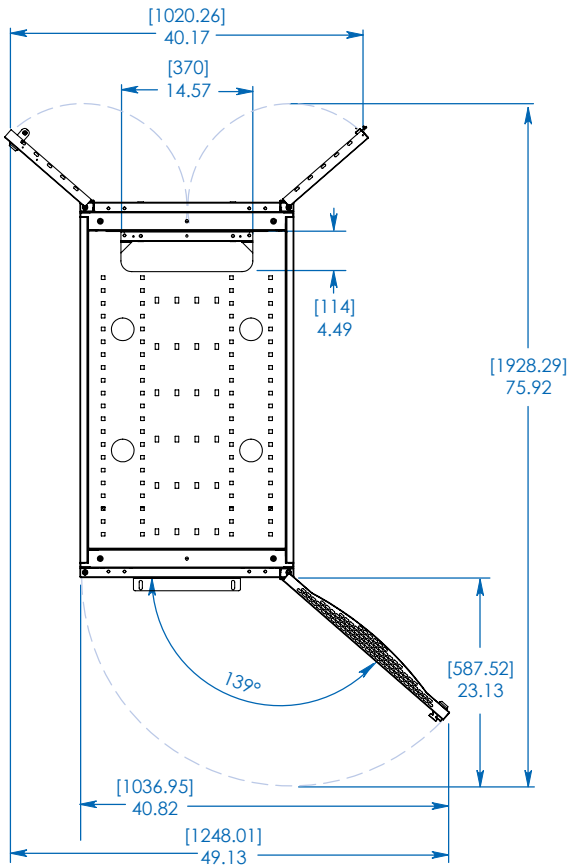
Tripp Lite has a policy of continuous improvement. Specifications are subject to change without notice.



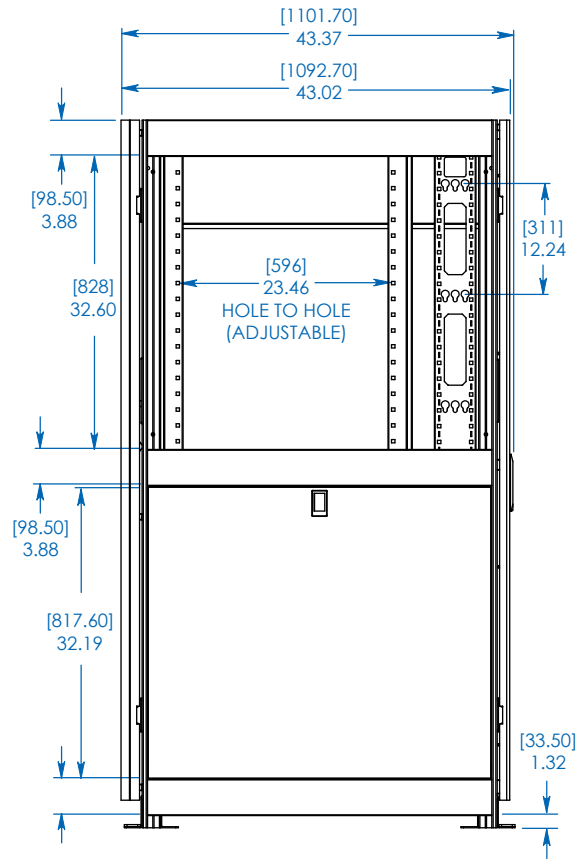
SEE NEXT PAGE FOR DETAILED UNIT MEASUREMENTS



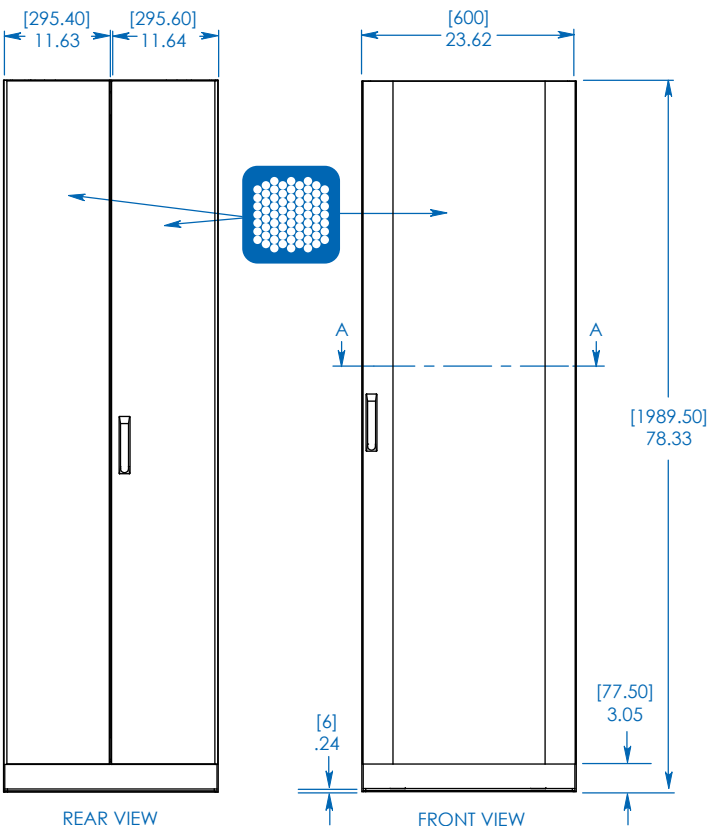
1111 W. 35th Street  
Chicago, IL 60609 USA  
773.869.1234  
www.triplite.com



TOP VIEW

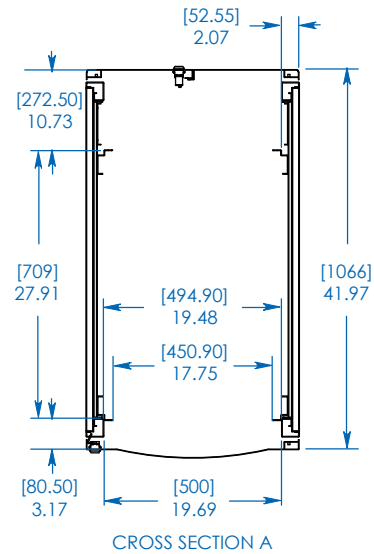


SIDE VIEW



REAR VIEW

FRONT VIEW



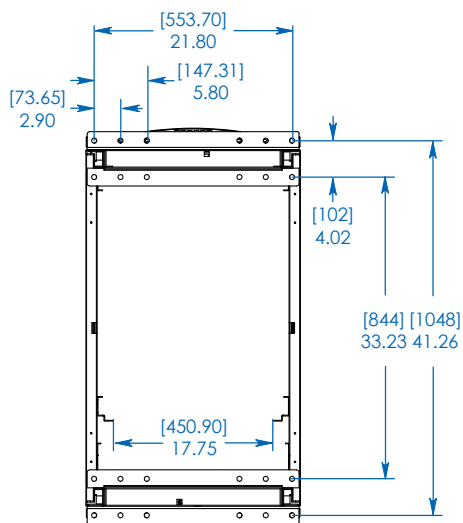
CROSS SECTION A

MODEL:  
**SR42UBZ4**

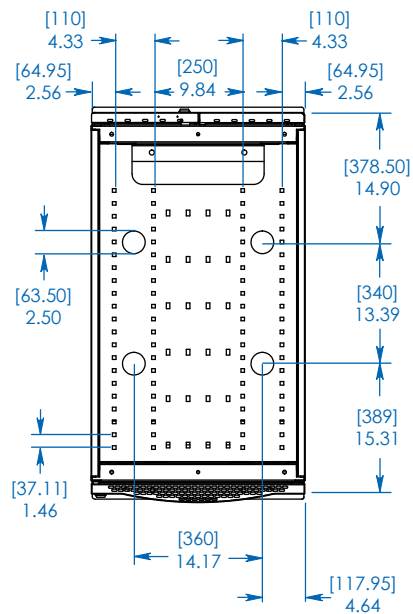


Dimensions: [mm] INCHES

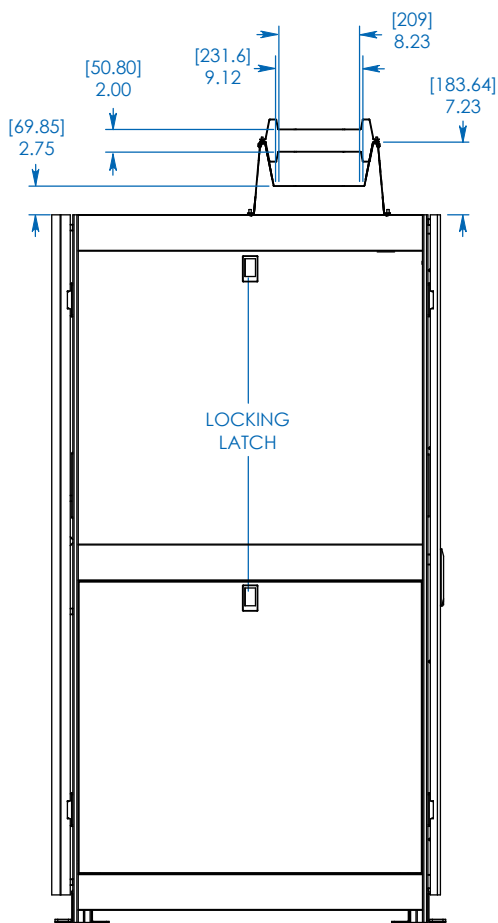
Tripp Lite has a policy of continuous improvement. Specifications are subject to change without notice.



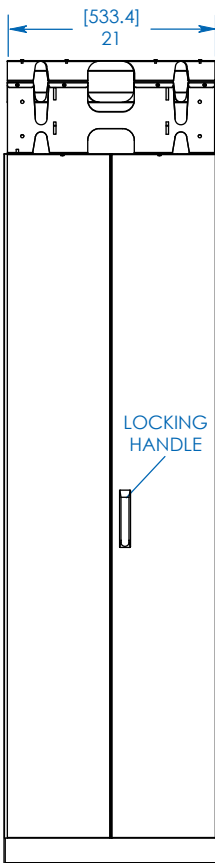
BOTTOM VIEW



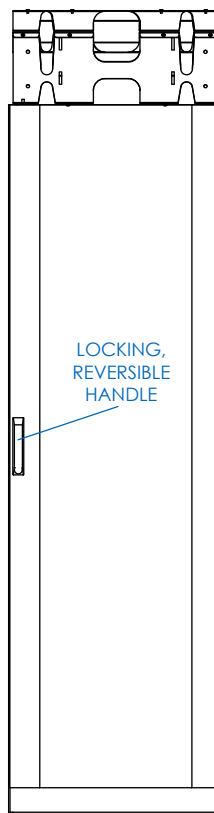
TOP VIEW



SIDE VIEW



REAR VIEW



FRONT VIEW

OPTIONAL SRCABLETRAY AND SRCABLETRAYEXP CABLE MANAGEMENT ACCESSORIES SHOWN (MOUNTING POSITION ADJUSTS TO ACCOMMODATE A WIDE RANGE OF APPLICATIONS)

MODEL:  
**SR42UBZ4**



1111 W. 35th Street  
Chicago, IL 60609 USA  
773.869.1234  
www.tripplite.com

Dimensions: [mm] INCHES

Tripp Lite has a policy of continuous improvement. Specifications are subject to change without notice.