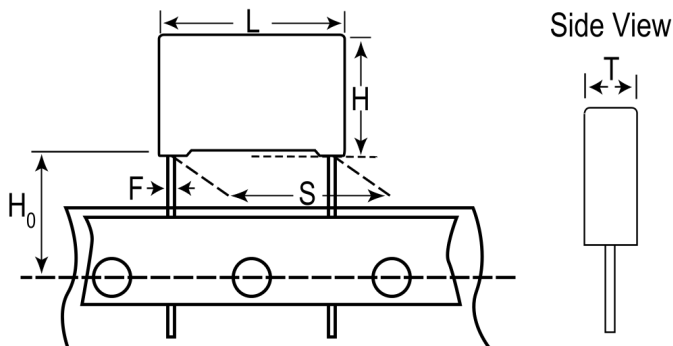


R46KN3150CK01M

Aliases (46KN3150CK01M)

R46 275 VAC, Film, Metallized Polypropylene, Safety, 0.15 uF, 20%, 275 VAC (X2), 560 VDC, 110°C, Lead Spacing = 22.5mm



Click [here](#) for the 3D model.

Dimensions

L	26.5mm +0.3/-0.5mm
H	15mm +0.1/-0.5mm
T	6mm +0.2/-0.5mm
S	22.5mm +0.6/-0.1mm
H0	18.5mm +/-0.5mm
F	0.8mm +/-0.05mm

Packaging Specifications

Packaging	T&R, Large
Packaging Quantity	700

General Information

Series	R46 275 VAC
Dielectric	Metallized Polypropylene
Style	Radial
Features	EMI Safety
RoHS	Yes
Lead	Wire Leads
Safety Class	X2
Qualifications	ENEC, UL, cUL, CQC
AEC-Q200	No
THB Performance	No
Notes	We Recommended To Use R46 @ 310 VAC.

Specifications

Capacitance	0.15 uF
Capacitance Tolerance	20%
Voltage AC	275 VAC (X2)
Voltage DC	560 VDC
Temperature Range	-40/+110°C
Rated Temperature	110°C
Dissipation Factor	0.1% 1kHz
Insulation Resistance	100 GOhms
Max dV/dt	200 V/us