

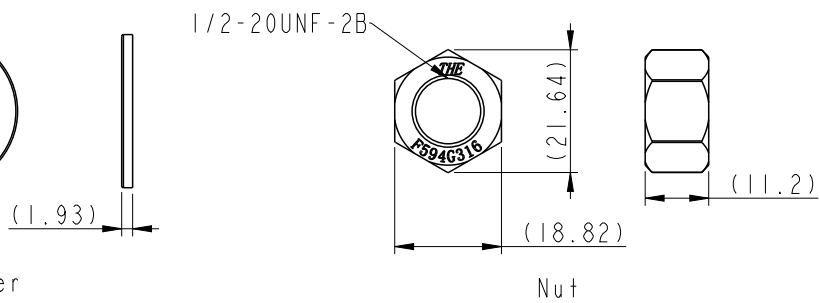
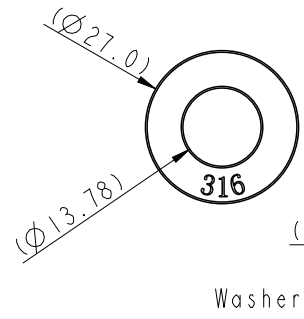
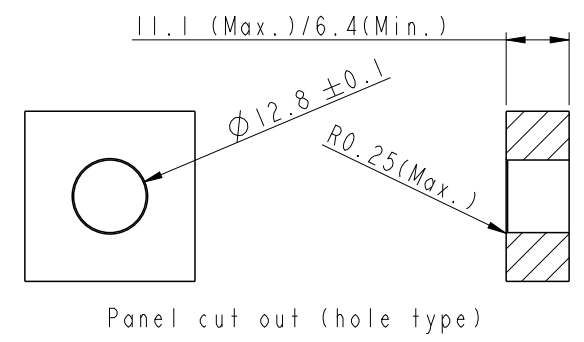
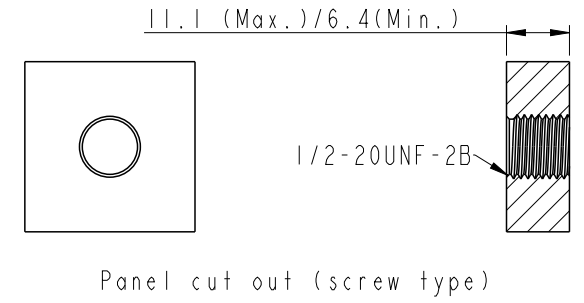
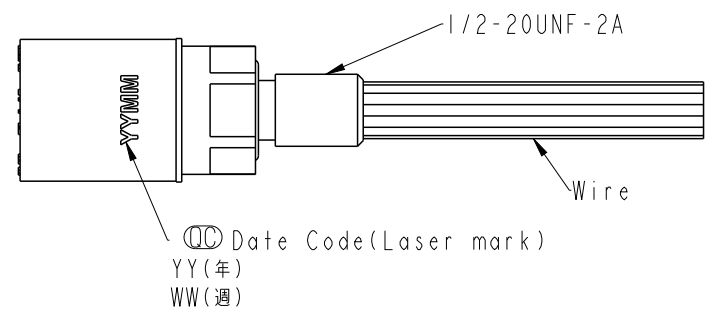
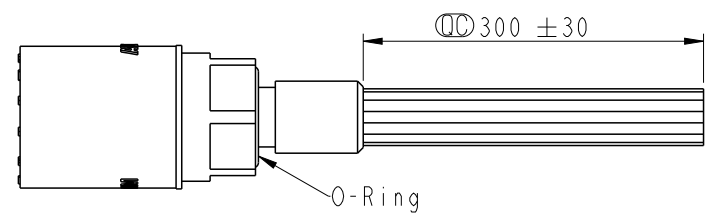
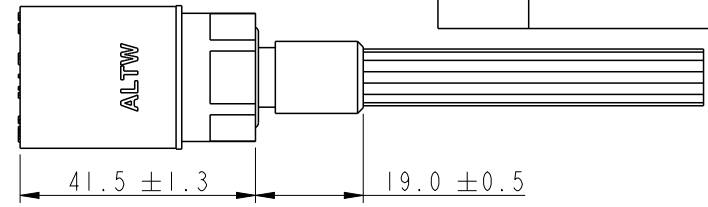
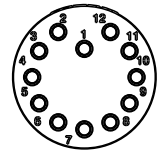
THIS DOCUMENT IS SUBJECT TO CHANGE WITHOUT NOTICE. IT IS CONFIDENTIAL AND A PROPERTY OF AMPHENOL LTW. DISCLOSURE TO THIRD PARTY HAS TO BE AUTHORIZED BY AMPHENOL LTW.

REV.	ECN NO.	DATE	SIGN	DESCRIPTION
A		2022/09/30	Eagle	Rev.01 to Rev.A

DT-HCM-XXRFF-RHA30

For 12P

- G3: 3Pin
- G4: 4Pin
- 06: 6Pin
- 08: 8Pin
- 12: 12Pin



- Note:
- * \varnothing Important Dimension.
 - * Waterproof Rate: Hadopelagic 7000M, Mated.
 - * Connector
 - Housing: Rubber, Black.
 - Pin: Copper Alloy, Gold Plated.
 - O-Ring: Rubber, Black.
 - Shield: Metal.
 - Nut: Metal.
 - Washer: Metal.
 - * Wire:
 - UL10393 18 AWG, OD 1.81mm for 3P/4P
 - UL1815 22 AWG, OD 1.46mm for 6P/8P
 - UL1815 20 AWG, OD 1.56mm for 12P
 - * Washer and nut are packed separately in PE bag.

UNIT: mm		
TOLERANCE ±0.5		

TITLE DT, HAD CIRCULAR MICRO REAR FASTENED, F, F			
SCALE 1:1	SIZE A4	SHEET 1 OF 4	
REV. A	WC-REV. A.5	\varnothing : Inspection item	

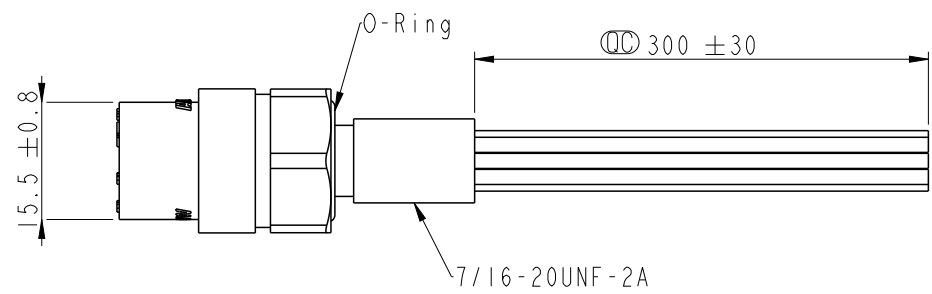
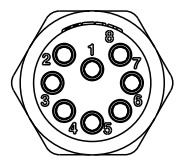
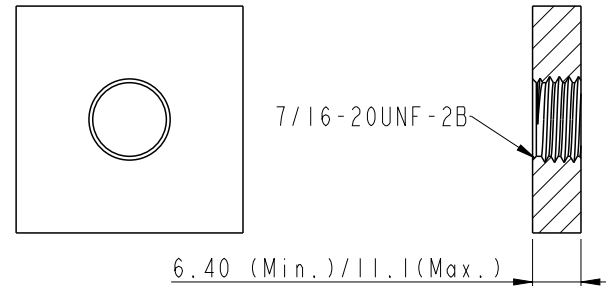
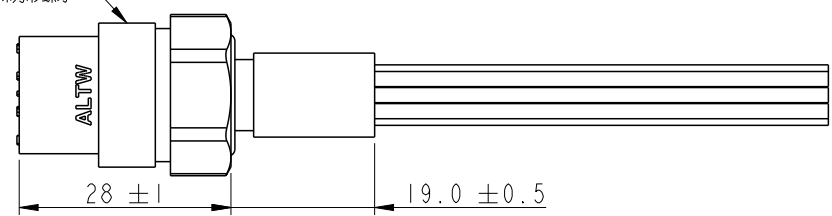
Amphenol LTW
安費諾亮泰企業股份有限公司

ITEM NO.	DRAWN BY Eagle	DATE 2022/09/30
DWG NO. DT-HCM-XXRFF-RHA30	CHECKED BY Aric	DATE 2022/09/30
CUSTOMER ALTW	APPROVED BY Max	DATE 2022/09/30

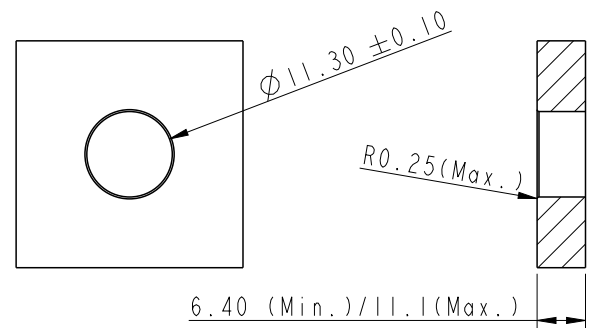
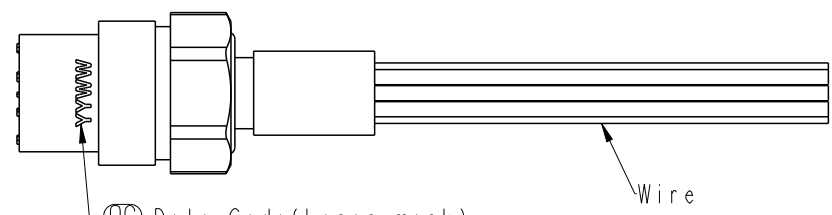
THIS DOCUMENT IS SUBJECT TO CHANGE WITHOUT NOTICE. IT IS CONFIDENTIAL AND A PROPERTY OF AMPHENOL LTW. DISCLOSURE TO THIRD PARTY HAS TO BE AUTHORIZED BY AMPHENOL LTW.

For 3P/4P/6P/8P

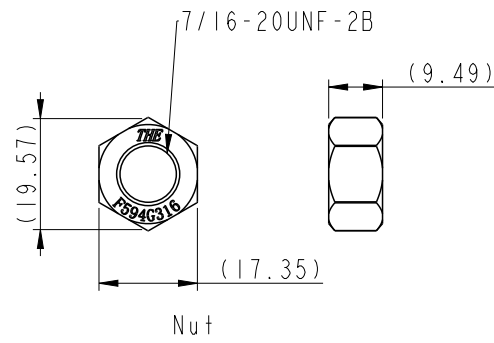
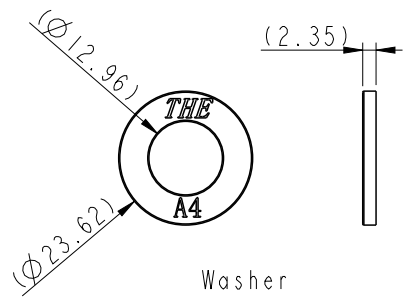
Special square thread
特殊方形螺牙



Panel cut out (screw type)



Panel cut out (hole type)



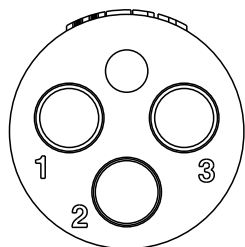
UNIT: mm

TOLERANCE ±0.5

TITLE DT, HAD CIRCULAR MICRO REAR FASTENED, F, F			
SCALE 1:1	SIZE A4	SHEET 2 OF 4	
REV. A	WC-REV. A.5	☉: Inspection item	

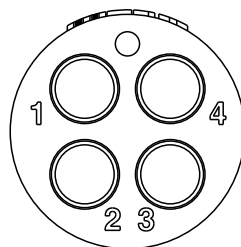
Amphenol LTW
安費諾亮泰企業股份有限公司

ITEM NO	DRAWN BY Eagle	DATE 2022/09/30
DWG NO DT-HCM-XXRFF-RHA30	CHECKED BY Aric	DATE 2022/09/30
CUSTOMER ALTW	APPROVED BY Max	DATE 2022/09/30



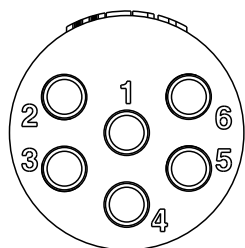
Pin Assignment(Front View)

- Pin Out (3P)
 1 Black(黑) 18AWG
 2 White(白) 18AWG
 3 Red(紅) 18AWG



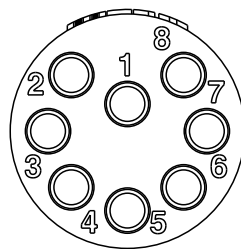
Pin Assignment(Front View)

- Pin Out (4P)
 1 Black(黑) 18AWG
 2 White(白) 18AWG
 3 Red(紅) 18AWG
 4 Green(綠) 18AWG



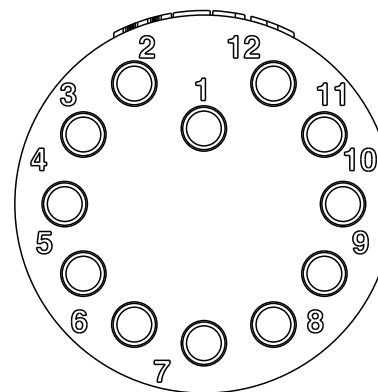
Pin Assignment(Front View)

- Pin Out (6P)
 1 Black(黑) 22AWG
 2 White(白) 22AWG
 3 Red(紅) 22AWG
 4 Green(綠) 22AWG
 5 Orange(橙) 22AWG
 6 Blue(藍) 22AWG



Pin Assignment(Front View)

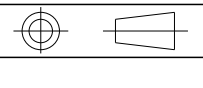
- Pin Out (8P)
 1 Black(黑) 22AWG
 2 White(白) 22AWG
 3 Red(紅) 22AWG
 4 Green(綠) 22AWG
 5 Orange(橙) 22AWG
 6 Blue(藍) 22AWG
 7 White/Black(白/黑) 22AWG
 8 Red/Black(紅/黑) 22AWG



Pin Assignment(Front View)

- Pin Out (12P)
 1 Black(黑) 20AWG
 2 White(白) 20AWG
 3 Red(紅) 20AWG
 4 Green(綠) 20AWG
 5 Orange(橙) 20AWG
 6 Blue(藍) 20AWG
 7 White/Black(白/黑) 20AWG
 8 Red/Black(紅/黑) 20AWG
 9 Green/Black(綠/黑) 20AWG
 10 Orange/Black(橙/黑) 20AWG
 11 Blue/Black(藍/黑) 20AWG
 12 Black/White(黑/白) 20AWG

UNIT:mm
 TOLERANCE



TITLE DT, HAD CIRCULAR MICRO REAR FASTENED, F, F			
SCALE 1:2	SIZE A4	SHEET 3 OF 4	
REV. A	WC-REV.	QC: Inspection item	

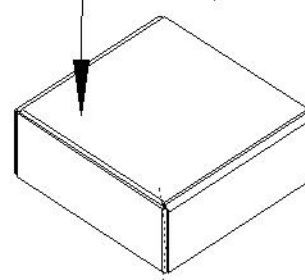
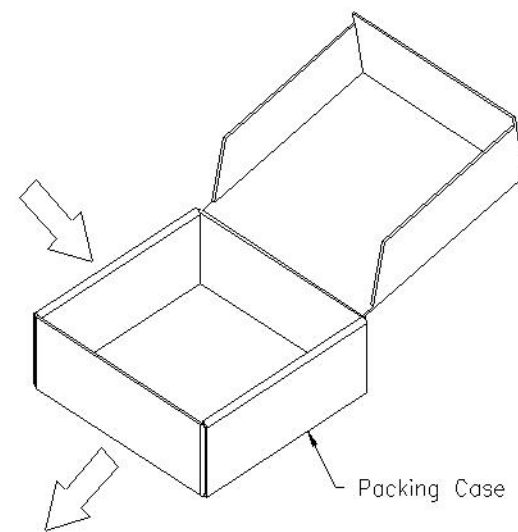
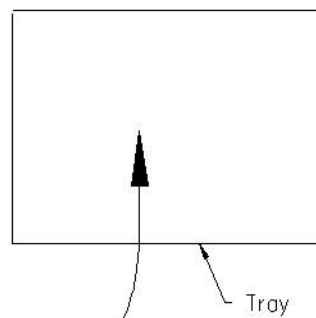
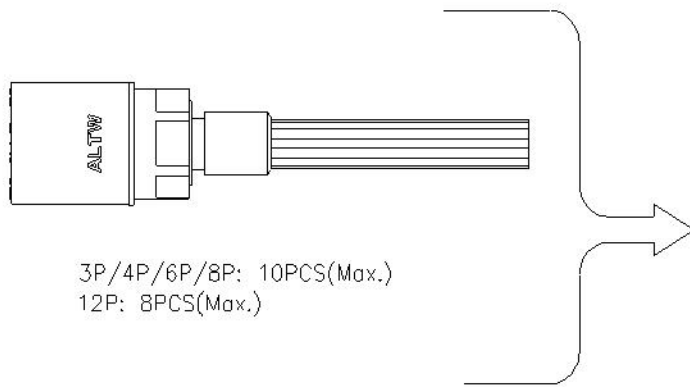
Amphenol LTW
 安費諾亮泰企業股份有限公司

ITEM NO
 DWG NO
 DT-HCM-XXRFF-RHA30
 CUSTOMER
 ALTW

DRAWN BY
 Eagle
 CHECKED BY
 Aric
 APPROVED BY
 Max

DATE
 2022/09/30
 DATE
 2022/09/30
 DATE
 2022/09/30

THIS DOCUMENT IS SUBJECT TO CHANGE WITHOUT NOTICE. IT IS CONFIDENTIAL AND A PROPERTY OF Amphenol LTW. DISCLOSURE TO THIRD PARTY HAS TO BE AUTHORIZED BY Amphenol LTW.



年 月 ALTW 合格品 RoHS2.0

料號: _____ 廠商: 昆山安費諾正日電子

數量: _____ PC 日期: _____

Lot No: _____ 版本: _____

採購單號: _____

廠商料號: _____

UNIT: mm		
TOLERANCE ±0.5		

TITLE DT, HAD CIRCULAR MICRO REAR FASTENED, F, F			
SCALE 1:1	SIZE A4	SHEET 4 OF 4	
REV. A	WC-REV. A.5	Ⓞ: Inspection item	

Amphenol LTW
安費諾亮泰企業股份有限公司

ITEM NO	DRAWN BY Eagle	DATE 2022/09/30
DWG NO DT-HCM-XXRFF-RHA30	CHECKED BY Aric	DATE 2022/09/30
CUSTOMER ALTW	APPROVED BY Max	DATE 2022/09/30