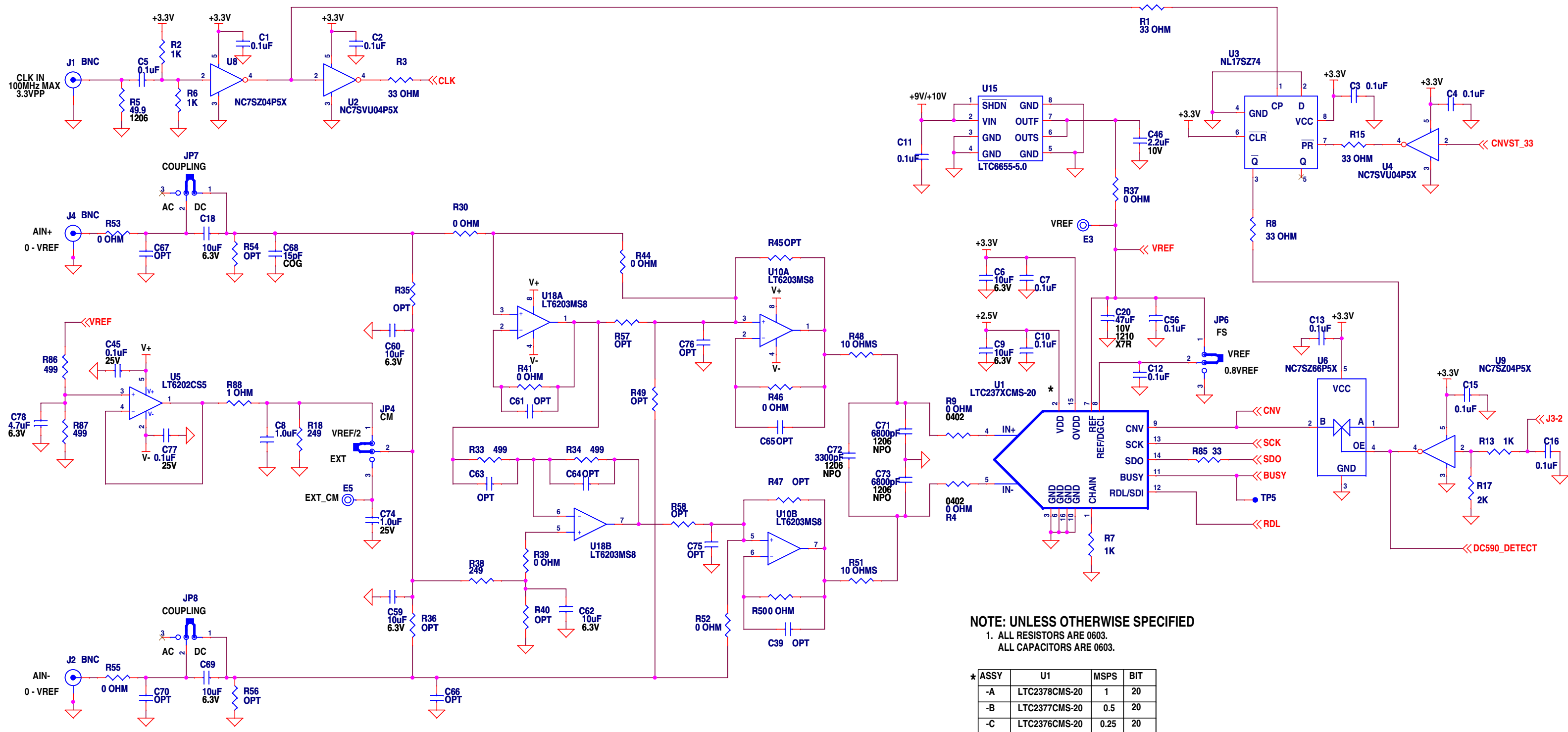


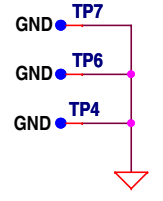
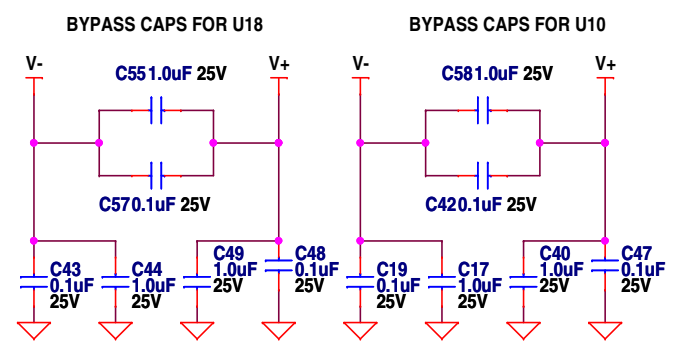
| REVISION HISTORY | | | | |
|------------------|-----|-------------|----------|----------|
| ECO | REV | DESCRIPTION | APPROVED | DATE |
| - | 2 | PRODUCTION | G.HOOVER | 07-16-12 |



NOTE: UNLESS OTHERWISE SPECIFIED

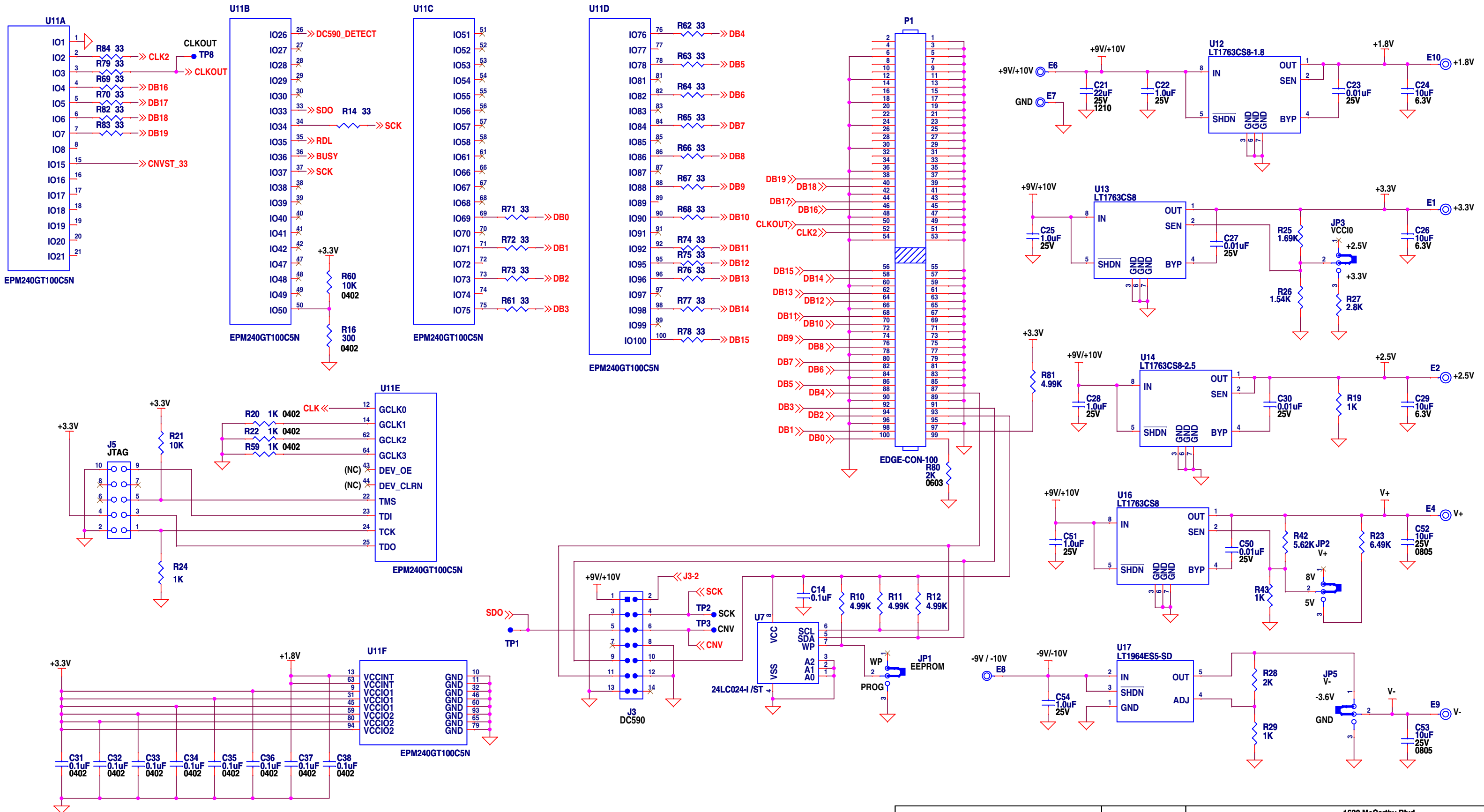
- 1. ALL RESISTORS ARE 0603.
- ALL CAPACITORS ARE 0603.

| * ASSY | U1 | MSPS | BIT |
|--------|---------------|------|-----|
| -A | LTC2378CMS-20 | 1 | 20 |
| -B | LTC2377CMS-20 | 0.5 | 20 |
| -C | LTC2376CMS-20 | 0.25 | 20 |



CUSTOMER NOTICE
 LINEAR TECHNOLOGY HAS MADE A BEST EFFORT TO DESIGN A CIRCUIT THAT MEETS CUSTOMER-SUPPLIED SPECIFICATIONS; HOWEVER, IT REMAINS THE CUSTOMER'S RESPONSIBILITY TO VERIFY PROPER AND RELIABLE OPERATION IN THE ACTUAL APPLICATION. COMPONENT SUBSTITUTION AND PRINTED CIRCUIT BOARD LAYOUT MAY SIGNIFICANTLY AFFECT CIRCUIT PERFORMANCE OR RELIABILITY. CONTACT LINEAR TECHNOLOGY APPLICATIONS ENGINEERING FOR ASSISTANCE.

| | | | | |
|------------------|------------|---|--|--|
| APPROVALS | | | 1630 McCarthy Blvd. Milpitas, CA 95035 Phone: (408)432-1900 www.linear.com Fax: (408)434-0507 LTC Confidential-For Customer Use Only | |
| PCB DES. | M.HAWKINS | | TITLE: SCHEMATIC | |
| APP ENG. | G. HOOVER | LOW NOISE, HIGH SPEED 20-BIT SAR ADC | | |
| SIZE | N/A | IC NO. | LTC237XCMS-20 FAMILY | |
| DATE: | 07-16-2012 | | REV. 2 | |
| SCALE = NONE | | | SHEET 1 OF 2 | |



CUSTOMER NOTICE
 LINEAR TECHNOLOGY HAS MADE A BEST EFFORT TO DESIGN A CIRCUIT THAT MEETS CUSTOMER-SUPPLIED SPECIFICATIONS; HOWEVER, IT REMAINS THE CUSTOMER'S RESPONSIBILITY TO VERIFY PROPER AND RELIABLE OPERATION IN THE ACTUAL APPLICATION. COMPONENT SUBSTITUTION AND PRINTED CIRCUIT BOARD LAYOUT MAY SIGNIFICANTLY AFFECT CIRCUIT PERFORMANCE OR RELIABILITY. CONTACT LINEAR TECHNOLOGY APPLICATIONS ENGINEERING FOR ASSISTANCE.

| APPROVALS | |
|-----------|-----------|
| PCB DES. | M.HAWKINS |
| APP ENG. | G. HOOVER |

1630 McCarthy Blvd.
 Milpitas, CA 95035
 Phone: (408)432-1900 www.linear.com
 Fax: (408)434-0507
 LTC Confidential-For Customer Use Only

| | |
|---|------------------------------------|
| TITLE: SCHEMATIC | |
| LOW NOISE, HIGH SPEED 20-BIT SAR ADC | |
| SIZE | IC NO. LTC237XCMS-20 FAMILY |
| N/A | DEMO CIRCUIT 1925A |
| DATE: 07-16-2012 | REV. 2 |
| SCALE = NONE | SHEET 2 OF 2 |

THIS CIRCUIT IS PROPRIETARY TO LINEAR TECHNOLOGY AND SUPPLIED FOR USE WITH LINEAR TECHNOLOGY PARTS.