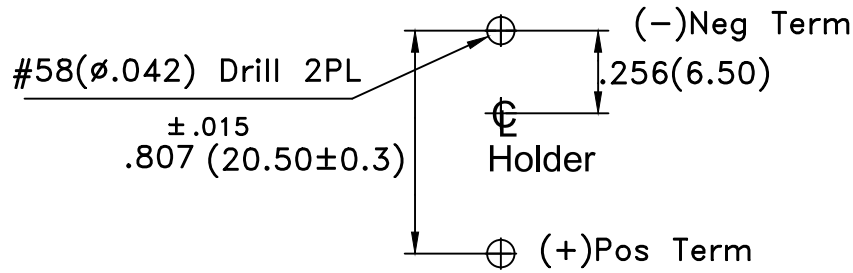
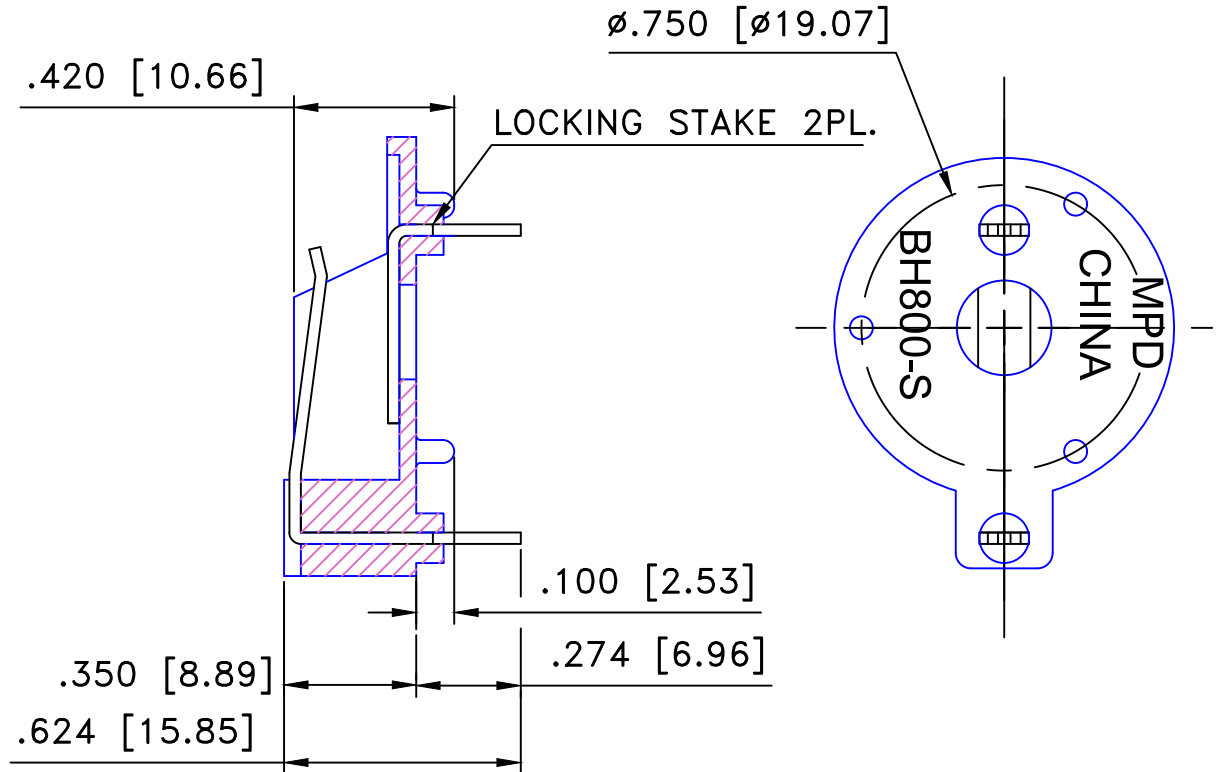
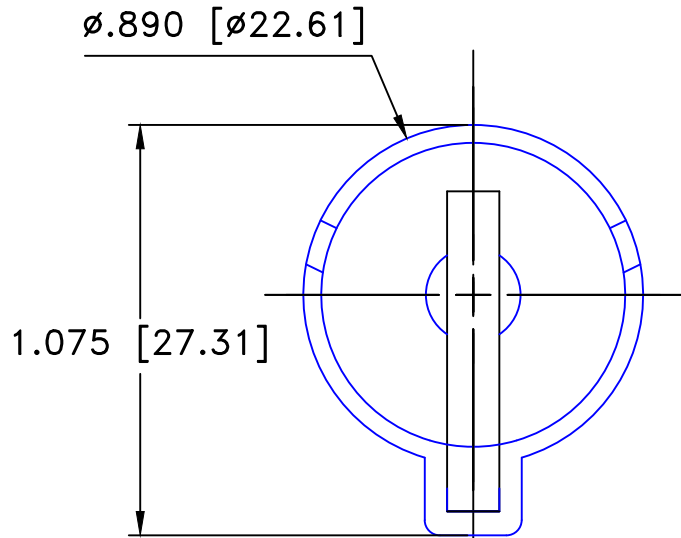


PCB LAYOUT




Date	SYM	REVISION RECORD	AUTH	DR.	CK.
1/20/07	C	∅ 0.820 WAS ∅ 0.750	T.B.	B.S.	
10/19/07	D	∅ 0.750 WAS ∅ 0.820	T.B.	B.S.	
12/12/14	E	UPDATED TO ROHS 2 COMPLIANT	T.B.	B.S.	
10/31/19	F	ADDED WEIGHT OF THE PART	T.B.	B.S.	



SPECIFICATIONS

- *Holder material-thermoplastic, black PBT
- *Flammability rating-UL94V-0, File No.88499 (M)
- *Contacts-302 spring temper stainless steel nickel plated overall
- *Dielectric strength-560volts/mil at 25°C for 5seconds
- *Temperature range- -55° to +180°C
- *Resistance to solvents-Xylene,ethyl,butyl,methyl&proptl alcohol;ethyl acetate,heptane;toluene;refrigerant
- *Approximate weight: 2.35g
- * ROHS COMPLIANT

Tolerance (Except as noted)	 Memory protection Devices, Inc 200 Broad Hollow Road, Farmingdale, New York 11735		
decimal ±.020 (.5)		Scale 4=1	Drawn By B.S. Approved By T.B.
Fractional ± .030 (.8)	Title CR/BR 2025/2032 TWO COIN BATTERY HOLDER		
Angular ± 3°	Date 10/31/19	Drawing Number BH800S	