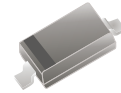


ABAS16WS-HF

RoHS Device
Halogen Free

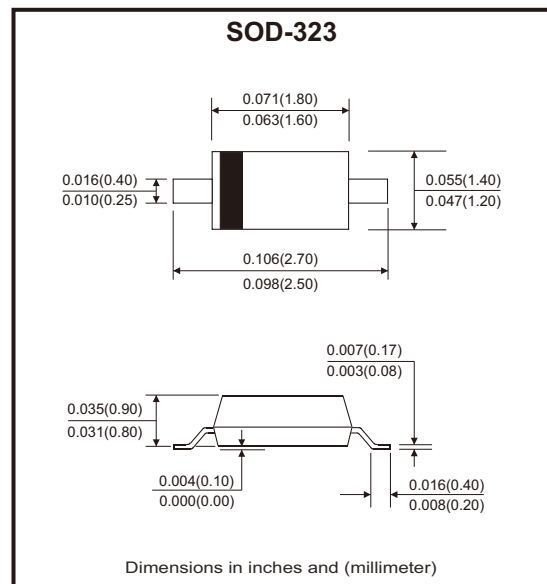


Features

- Epoxy meets UL-94 V-0 flammability rating.
- Moisture sensitivity Level 1.
- VRRM 100V.
- IFAV 200mA.
- AEC-Q101 Qualified.

Mechanical data

- Case: SOD-323, molded plastic.
- Terminals: Tin plated leads, solderable per J-STD-002 and JESD22-B102.
- Polarity: Cathode line denotes the cathode end.



Circuit Diagram



Maximum Rating (at Ta=25°C unless otherwise noted)

Parameter	Symbol	Value	Unit
Repetitive peak reverse voltage	VRRM	100	V
Average forward current	IFAV	200	mA
Peak forward surge current tp = 1ms	IFSM	1	A
Power dissipation	Ptot	200	mW
Thermal resistance junction to ambient air	RθJA	635	K/W
Maximum junction temperature	TJ	150	°C
Storage temperature range	TSTG	-55 to +150	°C

Electrical Characteristics (at Ta=25°C unless otherwise noted)

Parameter	Symbol	Conditions	Min	Max	Unit
Forward voltage	V _{F1}	I _F = 1mA		0.715	V
	V _{F2}	I _F = 10mA		0.855	
	V _{F3}	I _F = 50mA		1.0	
	V _{F4}	I _F = 150mA		1.25	
Reverse current	I _R	V _R = 75V		1.0	μA
Reverse breakdown voltage	V _{BR}	I _R = 100μA	100		V
Diode capacitance	C _D	V _R = V _F = 0V, f = 1MHz		4	pF
Reverse recovery time	t _{rr}	I _F = I _R = 10mA, I _{rr} = 0.1I _R , R _L = 100Ω		6	nS

Rating and Characteristic Curves (ABAS16WS-HF)

Fig.1 - Power Dissipation Characteristics

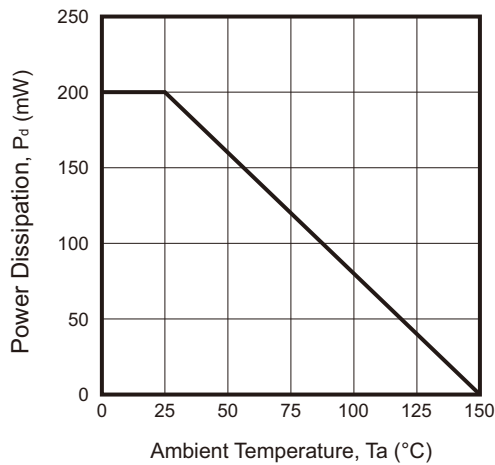


Fig.2 - Capacitance Characteristics

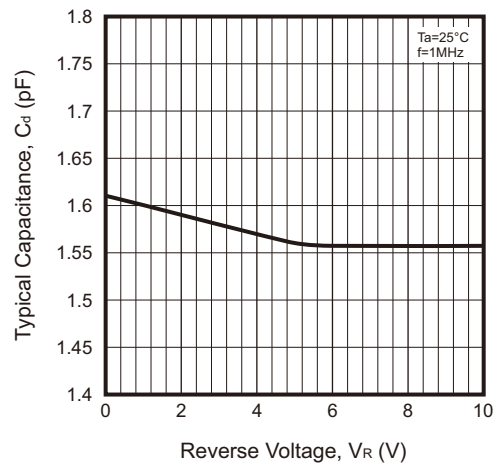


Fig.3 - Forward Characteristics

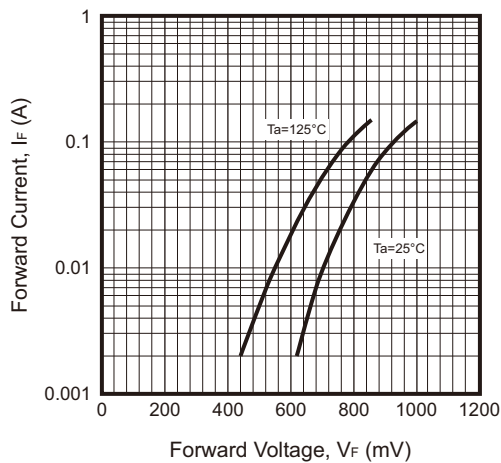
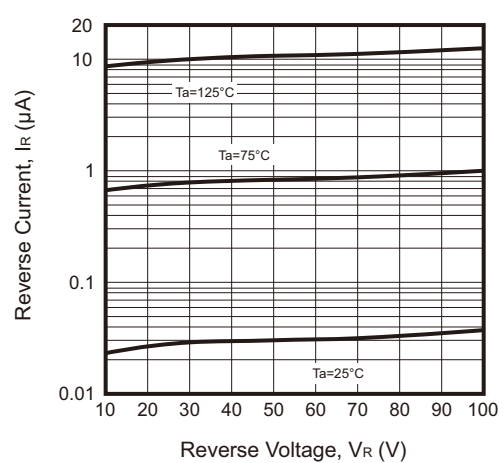


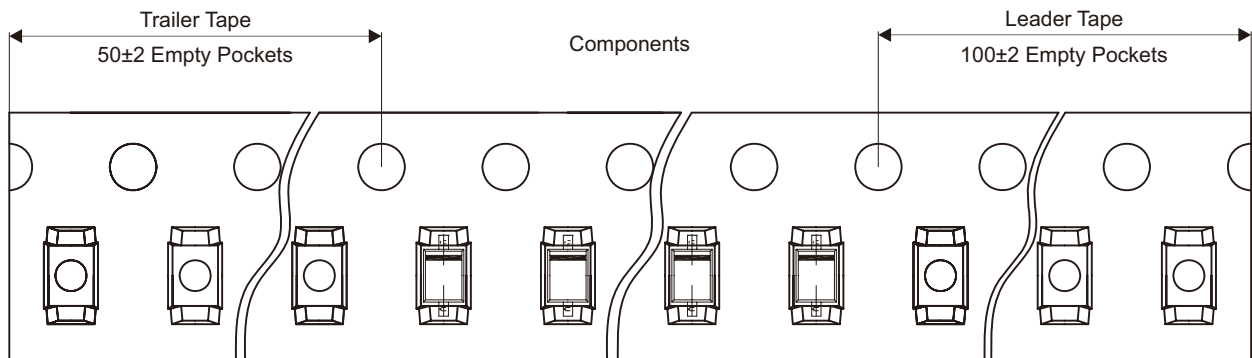
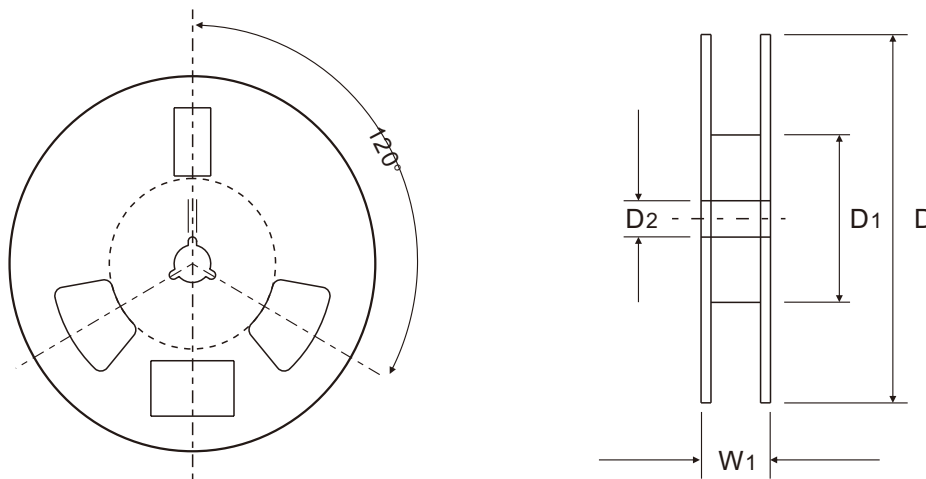
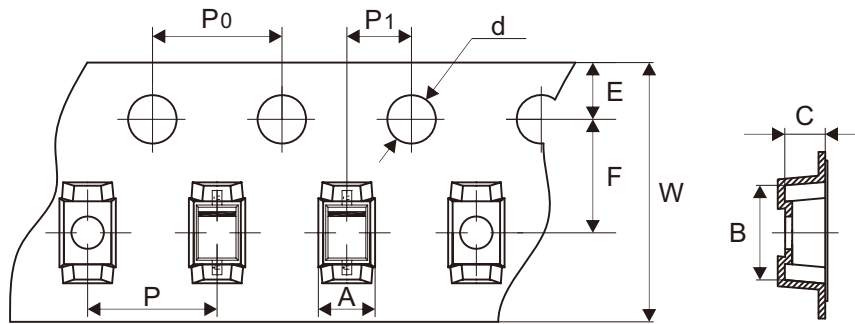
Fig.4 - Reverse Characteristics



Company reserves the right to improve product design, functions and reliability without notice.

REV:A

Reel Taping Specification



SOD-323	SYMBOL	A	B	C	d	D	D1	D2
	(mm)	1.46 ± 0.10	2.90 ± 0.10	1.25 ± 0.10	1.50 + 0.10 - 0.00	178.00 ± 1.00	54.60 ± 0.20	13.30 ± 0.20
	(inch)	0.057 ± 0.004	0.114 ± 0.004	0.049 ± 0.004	0.059 + 0.004 - 0.000	7.008 ± 0.039	2.150 ± 0.008	0.524 ± 0.008

SOD-323	SYMBOL	E	F	P	P0	P1	W	W1
	(mm)	1.75 ± 0.10	3.50 ± 0.05	4.00 ± 0.10	4.00 ± 0.10	2.00 ± 0.05	8.00 + 0.30 - 0.10	9.60 ± 0.20
	(inch)	0.069 ± 0.004	0.138 ± 0.002	0.157 ± 0.004	0.157 ± 0.004	0.079 ± 0.002	0.315 + 0.012 - 0.004	0.378 ± 0.008

Company reserves the right to improve product design, functions and reliability without notice.

REV:A

Marking Code

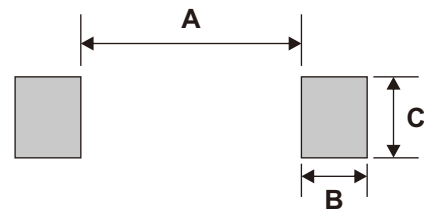
Part Number	Marking Code
ABAS16WS-HF	T4.



█ = Cathode band

Suggested PAD Layout

SIZE	SOD-323	
	(mm)	(inch)
A	1.88	0.074
B	0.56	0.022
C	0.69	0.027



Note: 1. The pad layout is for reference purposes only.

Standard Packaging

Case Type	REEL PACK	
	REEL (pcs)	Reel Size (inch)
SOD-323	3,000	7