

Würth Elektronik eiSos GmbH & Co. KG

EMC & Inductive Solutions

Max-Eyth-Straße 1 · 74638 Waldenburg · Germany

Tel. +49 (0) 79 42 945-0 · Fax +49 (0) 79 42 945-400

eiSos@we-online.de · www.we-online.de



Product / Process Change Notification (PCN)

- Major change
 Minor change

PCN #: PCN_IndHCF_20200302

Affected Series: WE-HCF-2920; 74437429203xxx;
74437529203xxx

PCN Date: December 02, 2019

Effective Date: March 02, 2020

Change Category:

- Equipment / Location
 General Data
 Material
 Process
 Product Design
 Shipping / Packaging
 Supplier
 Software

Contact: Product Management

Phone: +49 (0) 7942 - 945 5001

Fax: +49 (0) 7942 - 945 5179

E-Mail: pcn.eisos@we-online.com

Data Sheet Change:

Yes No

Attachment:

Yes No

DESCRIPTION AND PURPOSE OF CHANGE:

To improve the handling and transportation safety, Würth Elektronik will change the packaging method of HCF 2920 series.

All products with date code 2019-12-02 or later, will be affected by this change.

There will be no change in form, fit, function, quality or reliability of the product.

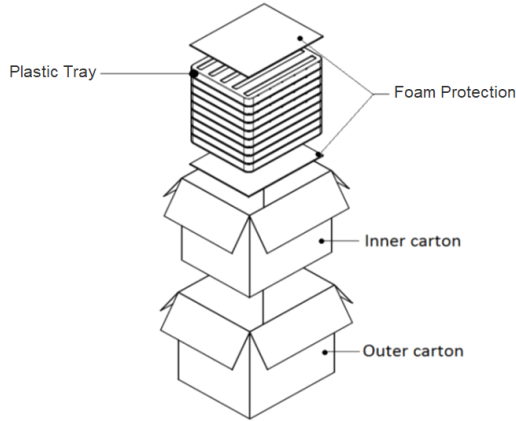
DETAIL OF CHANGE:

	Unit	New Packaging	Old Packaging
Carton Packaging Quantity (CPQ)	pcs	160	270
Standard Packaging Quantity (SPQ)	pcs	20	30
Number of plastic trays	pcs	8	9
Plastic tray dimensions	mm	245 x 195 x 23	245 x 195 x 22
Number of inner carton boxes	pcs	8	1
Inner carton dimension	mm	265 x 205 x 30	260 x 210 x 235
Outer carton box dimensions	mm	275 x 232 x 255	275 x 232 x 255
Foam protection		No	Yes

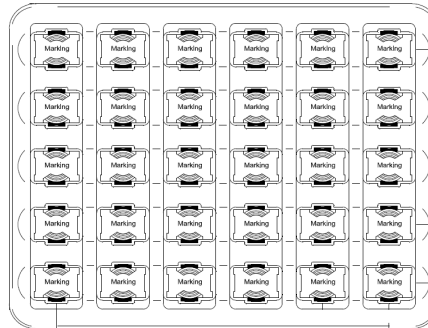
Würth Elektronik eiSos GmbH & Co. KG
 EMC & Inductive Solutions
 Max-Eyth-Straße 1 · 74638 Waldenburg · Germany
 Tel. +49 (0) 79 42 945-0 · Fax +49 (0) 79 42 945-400
 eiSos@we-online.de · www.we-online.de



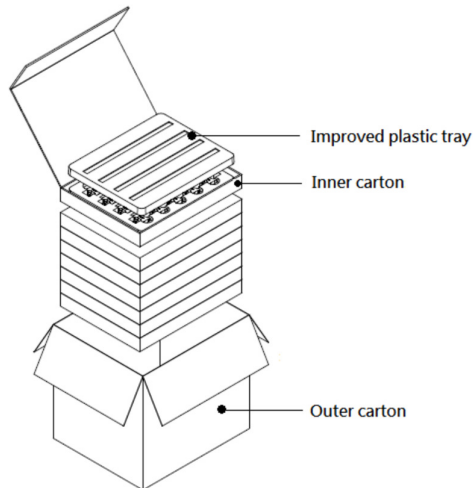
BEFORE CHANGE



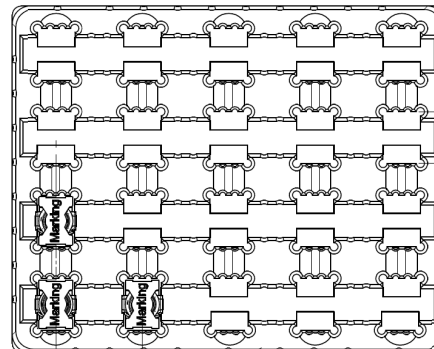
PLASTIC TRAY



AFTER CHANGE



PLASTIC TRAY



RELIABILITY / QUALIFICATION SUMMARY:

Testing standard: DIN EN 222480

Product approval is according to the specification and is internally released by the Product Management Department.