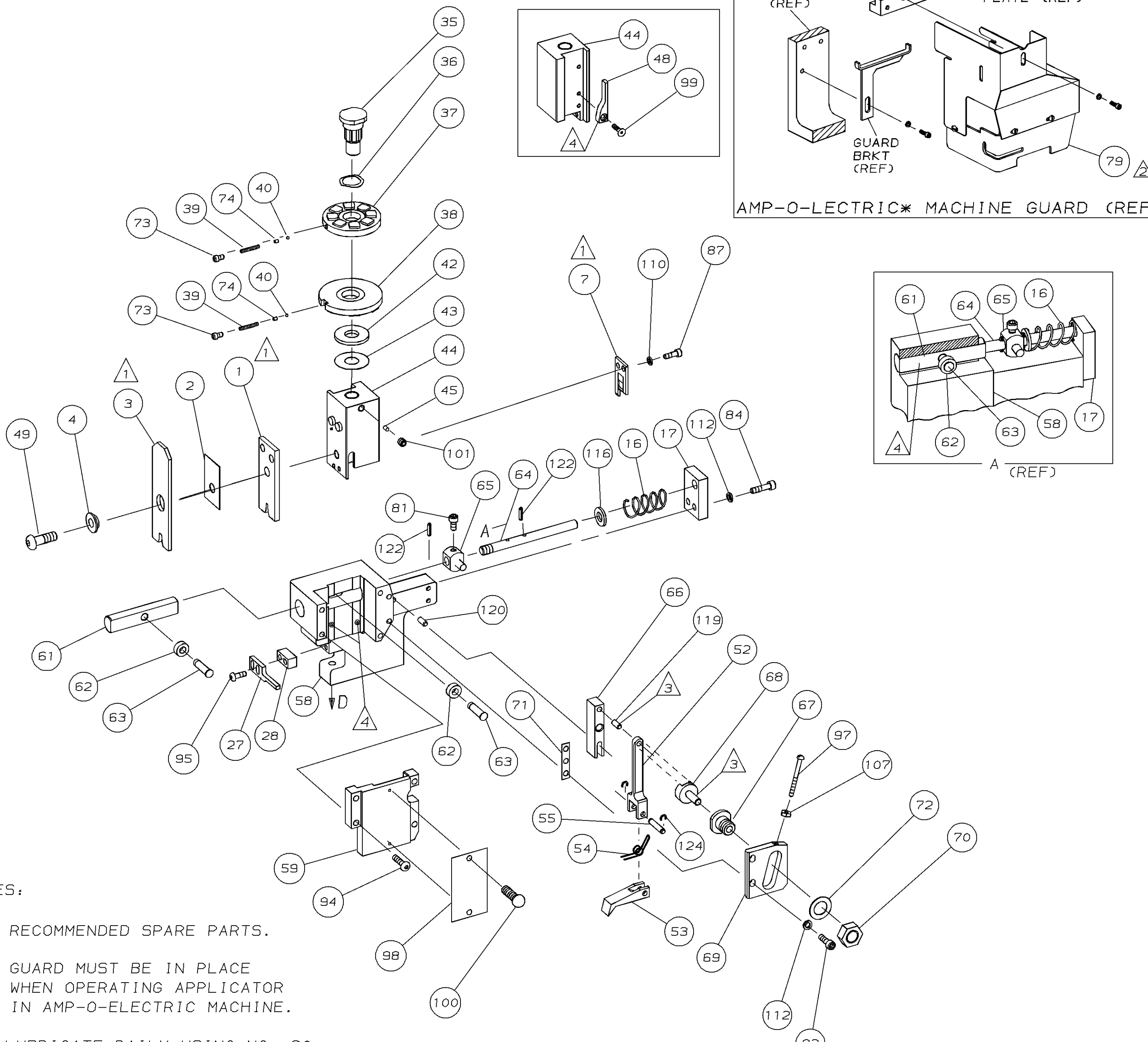
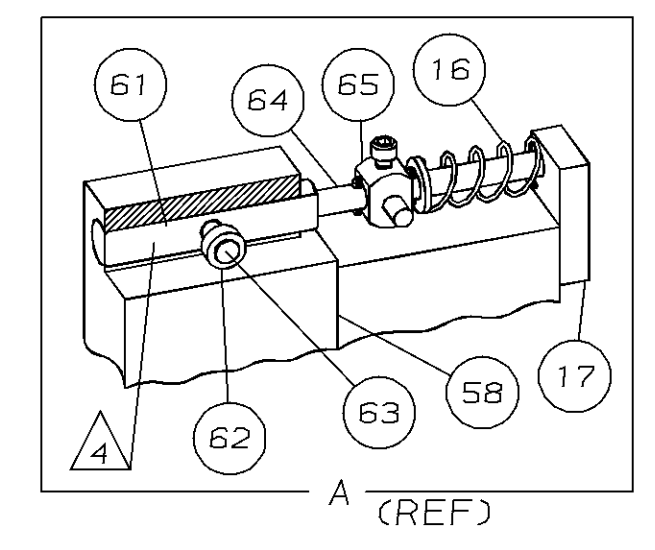
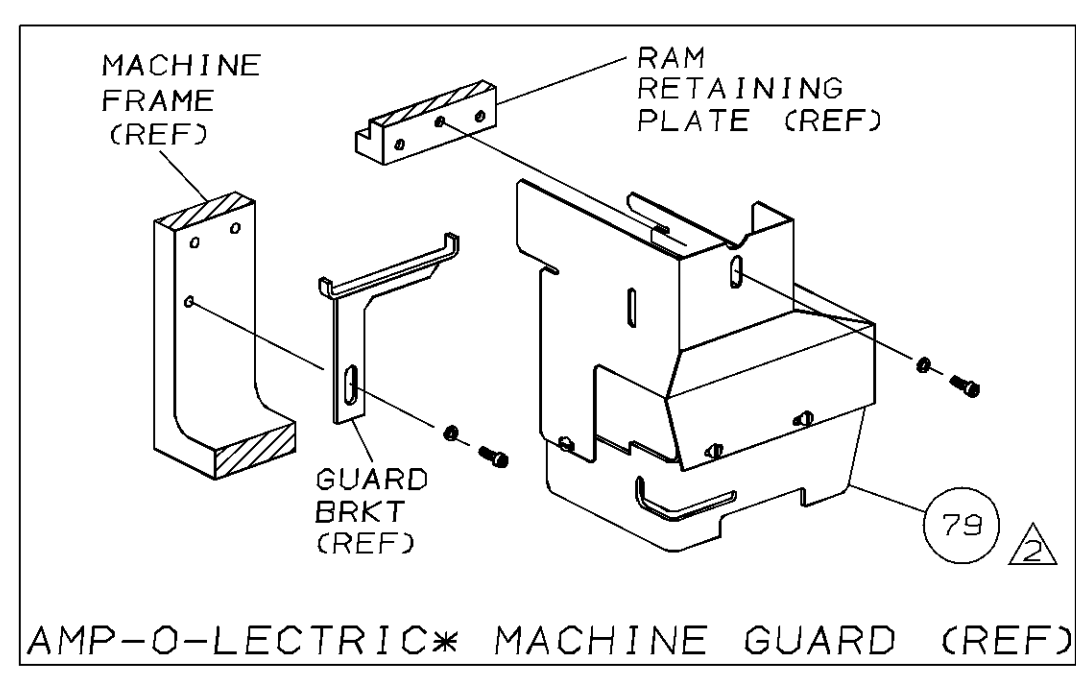
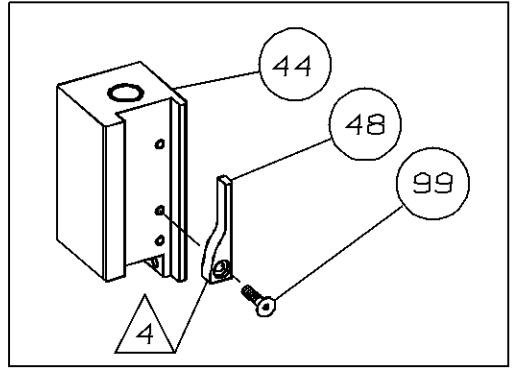


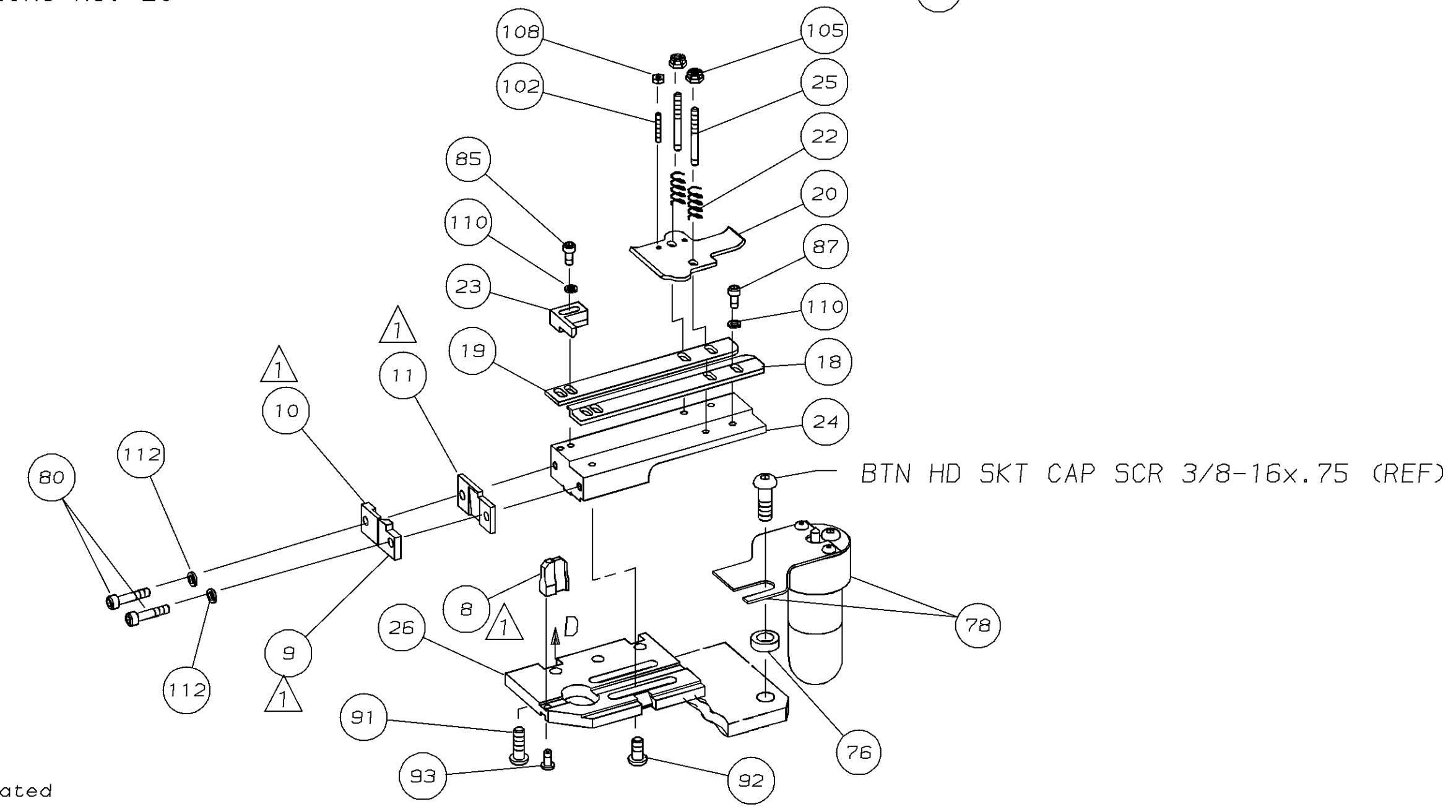
THIS DRAWING IS A CONTROLLED DOCUMENT FOR AMP INCORPORATED. IT IS SUBJECT TO CHANGE AND THE CONTROLLING ENGINEERING ORGANIZATION SHOULD BE CONTACTED FOR THE LATEST REVISION.

THIS INFORMATION IS CONFIDENTIAL AND IS DISCLOSED TO YOU ON CONDITION THAT NO FURTHER DISCLOSURE IS MADE BY YOU TO OTHER THAN AMP PERSONNEL WITHOUT WRITTEN AUTHORIZATION FROM AMP INCORPORATED, HARRISBURG, PA.

PRE-FEED
1 1/8 STROKE



- NOTES:
- 1 RECOMMENDED SPARE PARTS.
 - 2 GUARD MUST BE IN PLACE WHEN OPERATING APPLICATOR IN AMP-O-ELECTRIC MACHINE.
 - 3 LUBRICATE DAILY USING NO. 20 MACHINE OIL.
 - 4 GREASE LIGHTLY.



QTY	PART NO	DESCRIPTION	ITEM NO
2	21045-3	RING, RETAINING (C.187 DIA) FEED PIN	124
1	123		1
2	5-21028-1	PIN, SLOT SPG (.12 DIA) FD ADJ ROD	122
1	1-21030-7	PIN, DOWEL (C.187 DIA x 1.50) HOUSING	121
1	1-21030-1	PIN, DOWEL (C.187 DIA x .50) LEVER	120
1	21899-4	WASHER, FLAT (5/16 Ø) SCR ADJ	119
1	115		118
1	114		117
6	21024-5	WASHER, LOCK (NO.10) FEED ROD GUIDE	116
6	21024-4	WASHER, LOCK (NO.8) SHEAR BLADE	115
2	21018-4	NUT, HEX MACH (4-40) DRAG	114
1	21018-5	NUT, HEX MACH (6-32) FD ADJ PLATE	113
2	21022-2	NUT, HEX SELF-LOCK (8-32) DRAG STUD	112
2	4-21078-5	SCR, SKT SET OVAL PT (4-40 x .75) DRAG	111
1	21009-2	SCR, SKT SET (1/4-20 x .25 LOC-WEL) RAM	110
2	21017-2	SCR, DRIVE (#2 x .19) IDENT PLATE	109
1	1-21002-7	SCR, BHC (6-32 x .38) CAM	108
1	461264-1	PLATE, IDENTIFICATION	107
1	6-23715-5	SCR, PAN HDMACH (6-32 x 1.50) FEED ADJ	106
2	2-21002-2	SCR, BHC (8-32 x .50) STRIPPER	105
4	2-21002-9	SCR, BHC (10-32 x .75) HSG CAP	104
1	22733-8	SCR, BHC (8-32 x .38 LOC-WEL) ANVIL	103
4	3-21002-3	SCR, BHC (1/4-20 x .50) STR GDE PL	102
3	2-22733-8	SCR, BHC (1/4-20 x .62) BASE PL	101
5	2-21000-5	SCR, SKT CAP (8-32 x .25) SHEAR BLADE	100
2	2-21000-8	SCR, BHC (8-32 x .62)	99
2	3-21000-7	SCR, SKT CAP (10-32 x .75) FD ROD GUIDE	98
2	3-21000-6	SCR, SKT CAP (10-32 x .62) FD ADJ PLATE	97
1	3-21000-4	SCR, SKT CAP (10-32 x .38) PIVOT BLOCK	96
2	3-21000-8	SCR, SKT CAP (10-32 x .88) SHEAR PLATE	95
REF	455745-1	GUARD, WINDOW	94
1	465184-9	LUBRICATOR ASSY	93
1	454406-1	SPACER, LUB BRACKET	92
2	690603-1	SPRING, ASSIST	91
2	23030-1	SCR, SKT CAP (6-32 x .25) CP DISC	90
1	458109-1	WASHER, FLAT (SPECIAL)	89
1	690517-1	SPACER	88
1	22594-8	NUT, HEX	87
1	240628-1	PLATE, ADJ	86
1	240626-1	SHAFT, PIVOT	85
1	240633-1	BUSHING	84
1	455680-1	LEVER, INTERMEDIATE	83
1	240629-1	BLOCK, PIVOT	82
1	240632-2	SCREW, ADJ	81
1	240659-3	PIN, CAM ROLLER	80
1	240658-1	CAM, ROLLER	79
1	454398-1	ROD, FEED	78
1	852941-1	PLATE, REAR SHEAR	77
1	852751-1	PLATE, LEFT FRONT SHEAR	76
1	852752-1	PLATE, RIGHT FRONT SHEAR	75
1	7-240655-2	ANVIL	74
1	852748-1	BLADE, SLUG	73
1	238009-8	BLOCK, CRIMPER SPACER	72
1	456134-3	CRIMPER, INSULATION	71
1	1-455888-4	SPACER, CRIMPER	70
1	456406-2	CRIMPER, WIRE	69
1	852941-1	PLATE, REAR SHEAR	68
1	852751-1	PLATE, LEFT FRONT SHEAR	67
1	852752-1	PLATE, RIGHT FRONT SHEAR	66
1	7-240655-2	ANVIL	65
1	852748-1	BLADE, SLUG	64
1	238009-8	BLOCK, CRIMPER SPACER	63
1	456134-3	CRIMPER, INSULATION	62
1	1-455888-4	SPACER, CRIMPER	61
1	456406-2	CRIMPER, WIRE	60
1	852941-1	PLATE, REAR SHEAR	59
1	852751-1	PLATE, LEFT FRONT SHEAR	58
1	852752-1	PLATE, RIGHT FRONT SHEAR	57
1	7-240655-2	ANVIL	56
1	852748-1	BLADE, SLUG	55
1	238009-8	BLOCK, CRIMPER SPACER	54
1	456134-3	CRIMPER, INSULATION	53
1	1-455888-4	SPACER, CRIMPER	52
1	456406-2	CRIMPER, WIRE	51
1	852941-1	PLATE, REAR SHEAR	50
1	852751-1	PLATE, LEFT FRONT SHEAR	49
1	852752-1	PLATE, RIGHT FRONT SHEAR	48
1	7-240655-2	ANVIL	47
1	852748-1	BLADE, SLUG	46
1	238009-8	BLOCK, CRIMPER SPACER	45
1	456134-3	CRIMPER, INSULATION	44
1	1-455888-4	SPACER, CRIMPER	43
1	456406-2	CRIMPER, WIRE	42
1	852941-1	PLATE, REAR SHEAR	41
1	852751-1	PLATE, LEFT FRONT SHEAR	40
1	852752-1	PLATE, RIGHT FRONT SHEAR	39
1	7-240655-2	ANVIL	38
1	852748-1	BLADE, SLUG	37
1	238009-8	BLOCK, CRIMPER SPACER	36
1	456134-3	CRIMPER, INSULATION	35
1	1-455888-4	SPACER, CRIMPER	34
1	456406-2	CRIMPER, WIRE	33
1	852941-1	PLATE, REAR SHEAR	32
1	852751-1	PLATE, LEFT FRONT SHEAR	31
1	852752-1	PLATE, RIGHT FRONT SHEAR	30
1	7-240655-2	ANVIL	29
1	852748-1	BLADE, SLUG	28
1	238009-8	BLOCK, CRIMPER SPACER	27
1	456134-3	CRIMPER, INSULATION	26
1	1-455888-4	SPACER, CRIMPER	25
1	456406-2	CRIMPER, WIRE	24
1	852941-1	PLATE, REAR SHEAR	23
1	852751-1	PLATE, LEFT FRONT SHEAR	22
1	852752-1	PLATE, RIGHT FRONT SHEAR	21
1	7-240655-2	ANVIL	20
1	852748-1	BLADE, SLUG	19
1	238009-8	BLOCK, CRIMPER SPACER	18
1	456134-3	CRIMPER, INSULATION	17
1	1-455888-4	SPACER, CRIMPER	16
1	456406-2	CRIMPER, WIRE	15
1	852941-1	PLATE, REAR SHEAR	14
1	852751-1	PLATE, LEFT FRONT SHEAR	13
1	852752-1	PLATE, RIGHT FRONT SHEAR	12
1	7-240655-2	ANVIL	11
1	852748-1	BLADE, SLUG	10
1	238009-8	BLOCK, CRIMPER SPACER	9
1	456134-3	CRIMPER, INSULATION	8
1	1-455888-4	SPACER, CRIMPER	7
1	456406-2	CRIMPER, WIRE	6
1	852941-1	PLATE, REAR SHEAR	5
1	852751-1	PLATE, LEFT FRONT SHEAR	4
1	852752-1	PLATE, RIGHT FRONT SHEAR	3
1	7-240655-2	ANVIL	2
1	852748-1	BLADE, SLUG	1

REMARKS	NO	REV
APPL USED ON MACHINE PART NO	MACH SERIAL NO	DISTRIBUTION
CUSTOMER NAME	APPL SERIAL NO	ORIGINAL
ADDRESS	PURCHASE ORDER	CUSTOMER COPY
CITY	ENG APP	FIELD ENG COPY

CRIMPING DATA				APPLICATOR WILL APPLY	
PAD LTR	CRIMP HEIGHT	WIRE SIZE	WIRE STRIP LENGTH	61350-4	
A	.056	16			
B	.049	18			
C	.045	20			
D	NOT USED				
CRIMP	SIZE	TYPE	FEED	APPL INST	
WIRE	.090	F	.535	A1 8039	
INSUL	.140	F			
WIRE RANGE	20-16	INSULATION RANGE	.090-.130	MACHINE NO	565435-5

AMP-O-ELECTRIC PRE-FEED

1 1

SET UP GAGE	10-1	458638-1	L1354
DR 11/8/89	APP 12-11-89	P. MATHIAS	B. WOLFE
CHK 12-11-89	REL 12/19/89	P. MARTZ	B.A. WOLFE

AMP INCORPORATED
Harrisburg, Pa.

LOC A D NO 687397-3 REV B

MINIATURE QUICK CHANGE APPLICATOR
RECEPTACLE & TAB
END FEED (187" SERIES PIGGY-BACK FLAG FASTON)