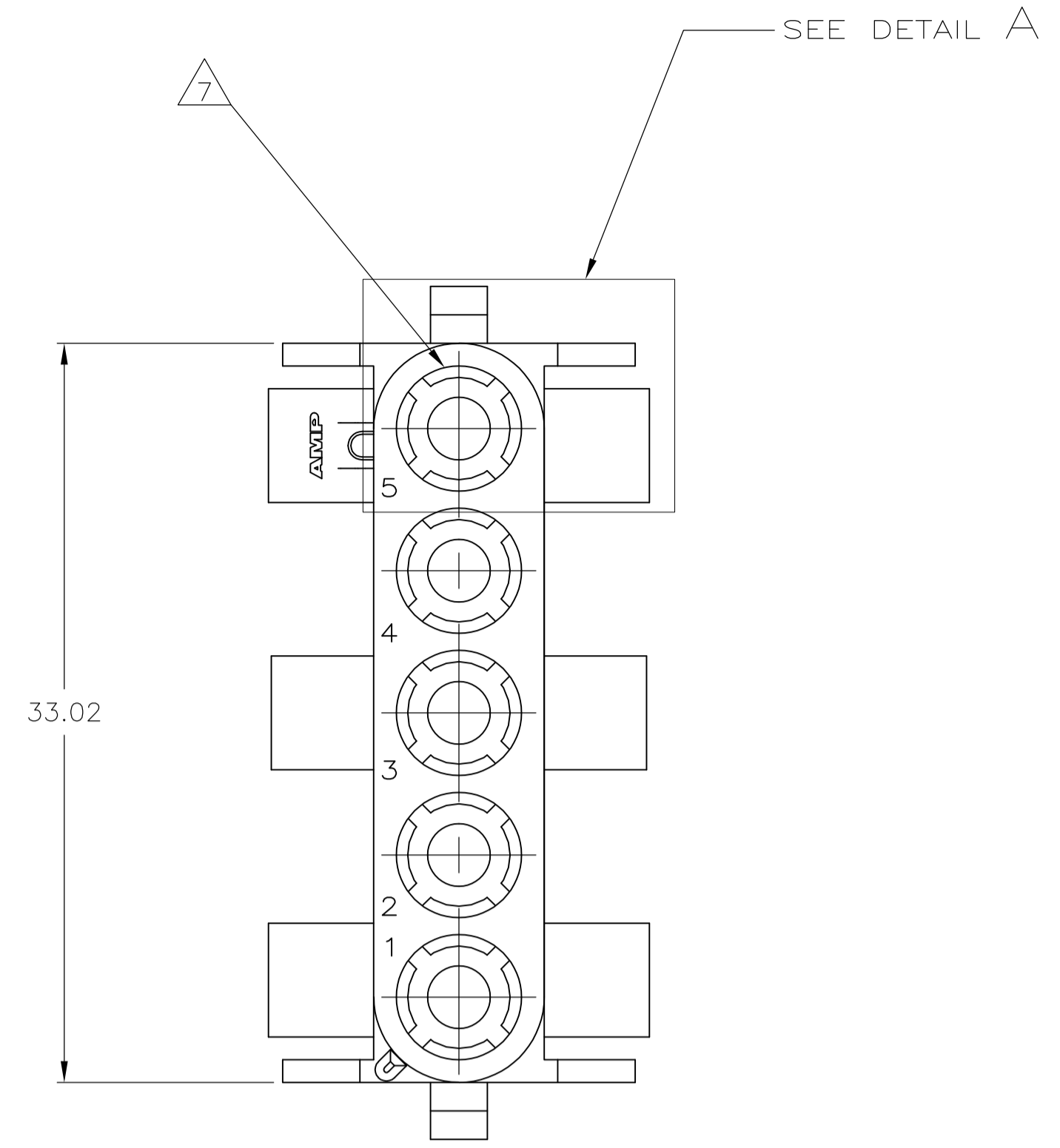
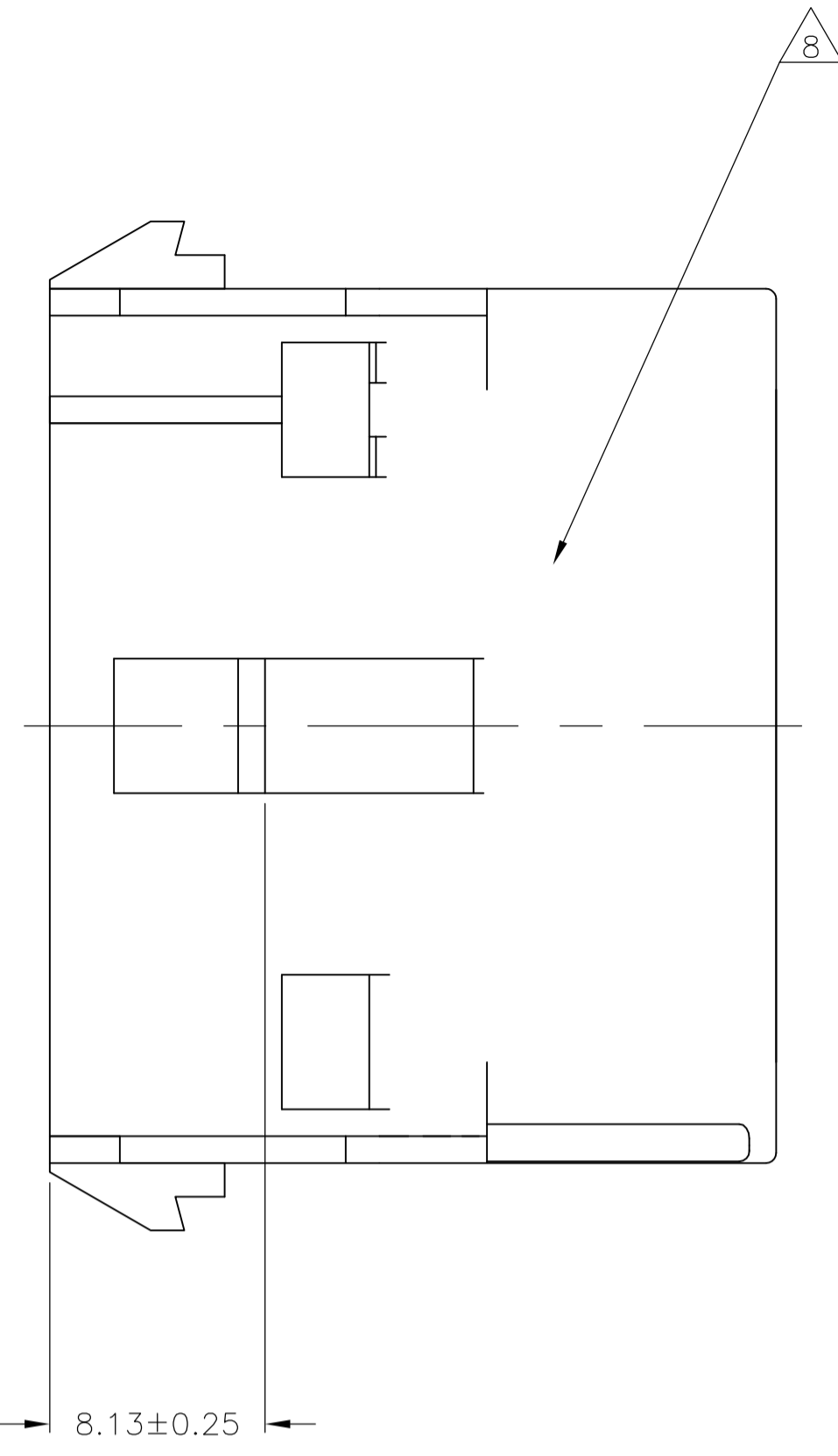
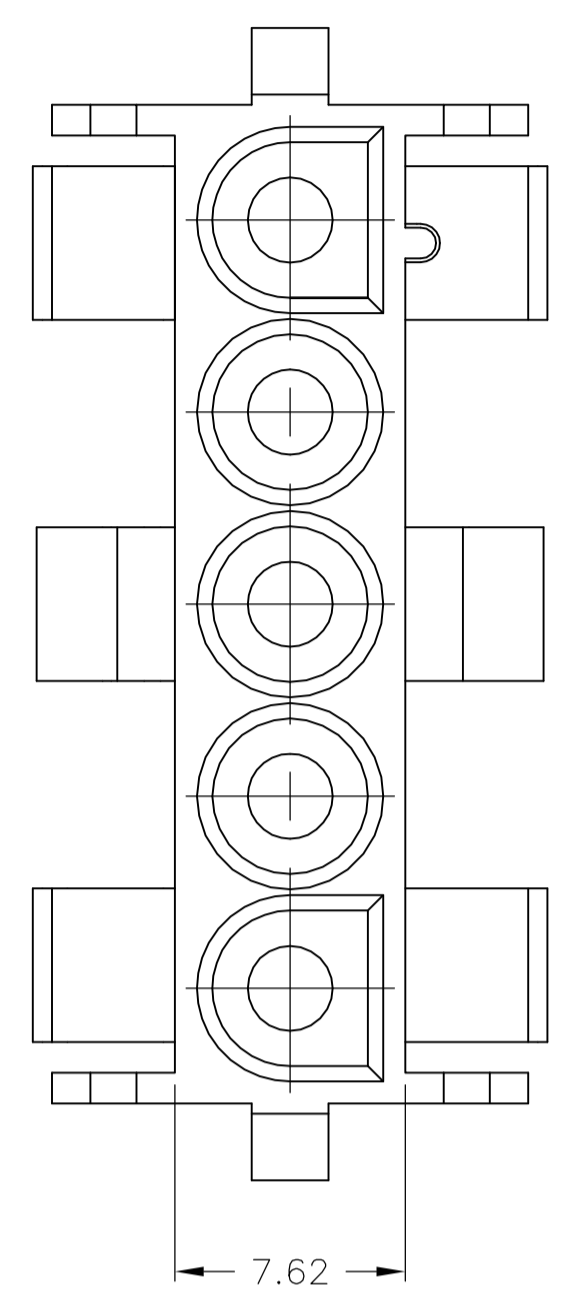
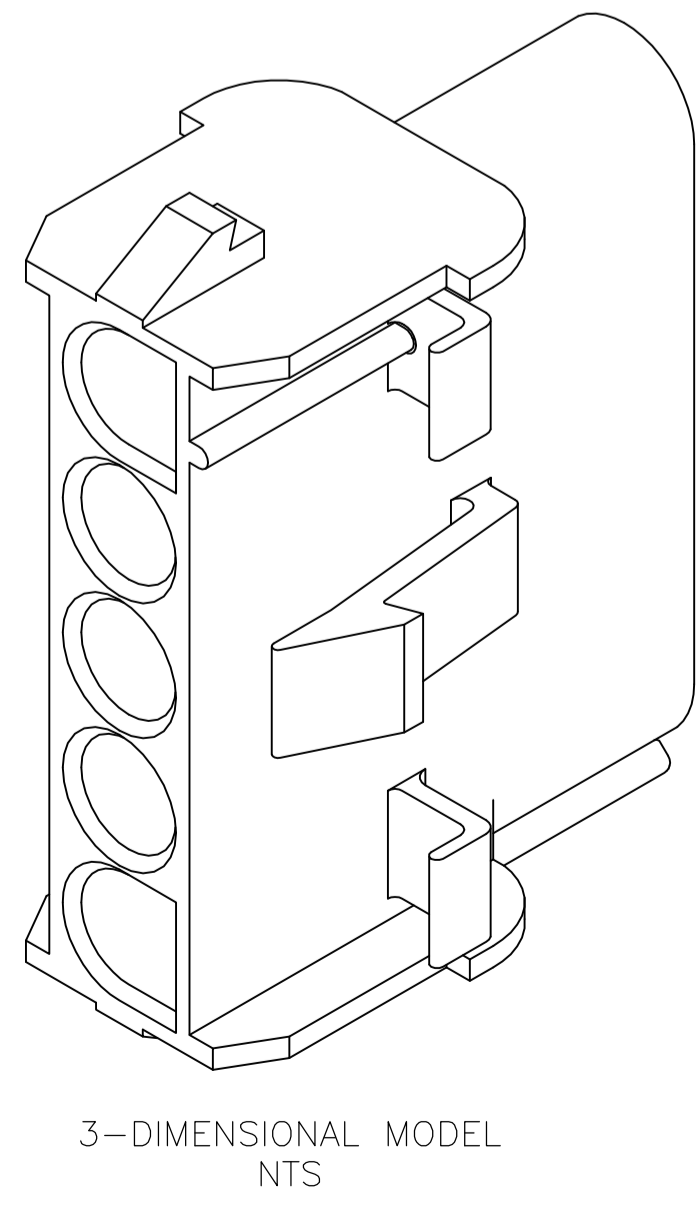
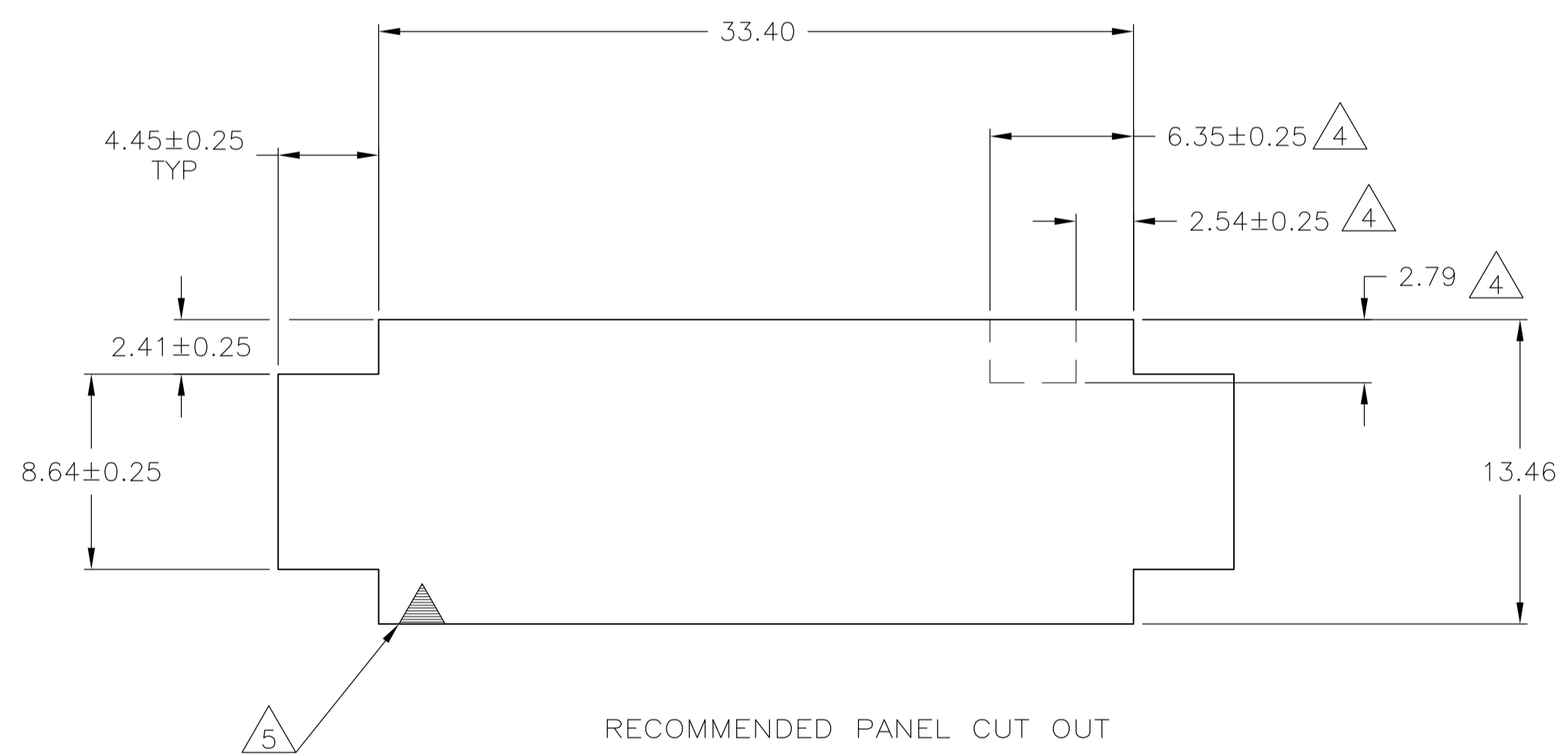
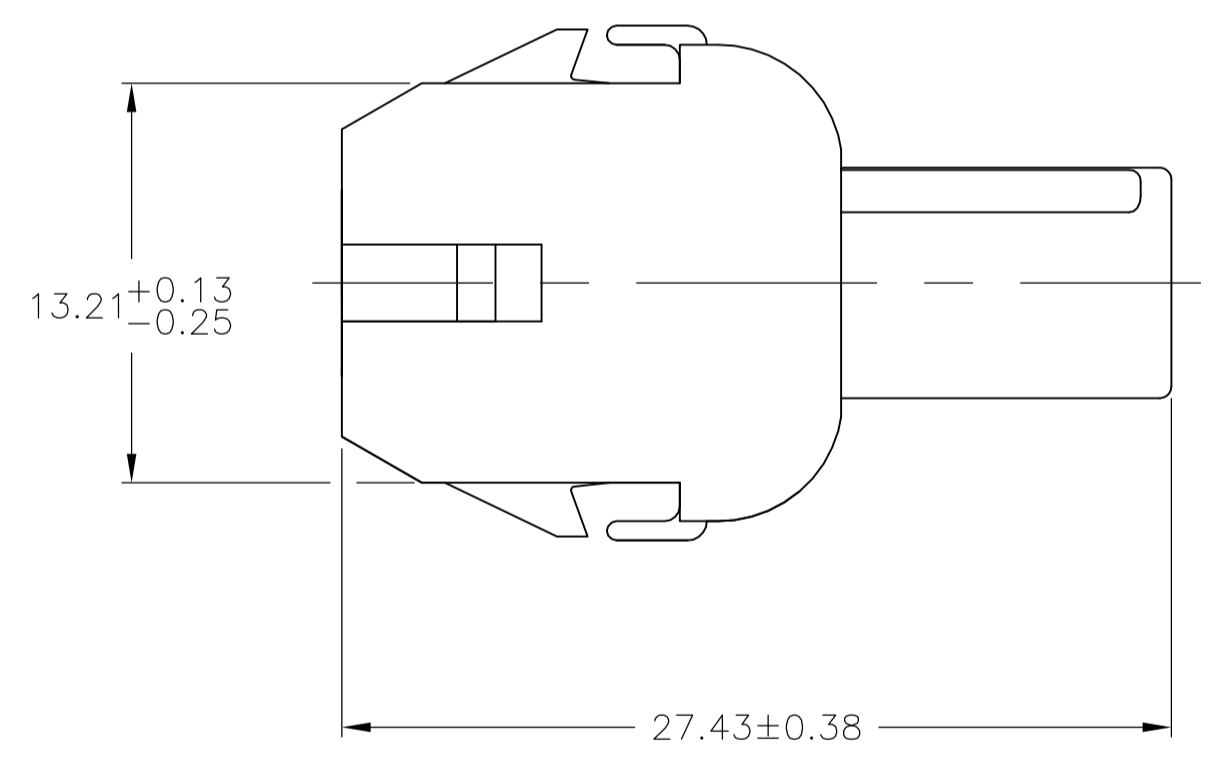
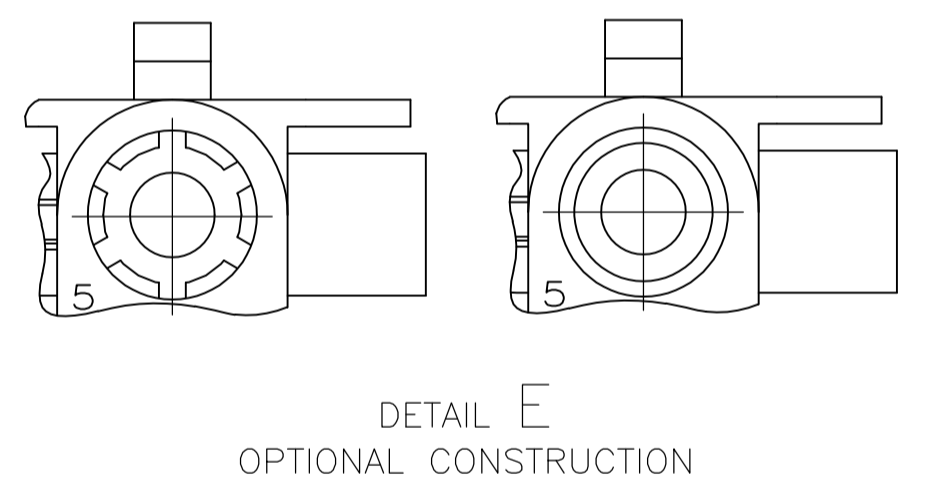


LOC	DIST	REVISIONS				
CM	53	REV	DESCRIPTION	DATE	BY	APPV
		AD3	REVISED PER ECR-17-008392	23JUN2017	BW	KR



1. MATES WITH APPROPRIATE UNIVERSAL MATE-N-LOK™ PLUG.
2. RECOMMENDED PANEL THICKNESS 0.76 - 2.29.
3. PANEL MUST BE PUNCHED SO THAT THE HOUSING ENTERS THE PANEL IN THE SAME DIRECTION AS THE PUNCH.
4. OPTIONAL FOR KEYING HOUSING IN PANEL.
5. CIRCUIT NUMBER 1 LOCATION.
6. DIMENSIONS SHOWN REPRESENT PRODUCT IN DRY, AS MOLDED, CONDITION. ADDITIONAL 2% GROWTH DUE TO SUBSEQUENT MOISTURE ABSORPTION MAY OCCUR AND SHOULD BE ACCOUNTED FOR.
7. FOUR RIBS EQUALLY SPACED, NO SPECIFIC ORIENTATION. NO RIBS OR SIX RIBS EQUALLY SPACED, NO SPECIFIC ORIENTATION, OPTIONAL.
8. UNDERWRITERS RECOGNIZED COMPONENT LOGO AND CSA CERTIFICATION LOGO TO BE LOCATED ONCE EACH ON SIDE OF HOUSING.
9. OBSOLETE PARTS: OBSOLETE CIS STREAMLINING PER D.RENAUD/D.SINISI



MM	IN	MM	IN
4.45	.175	33.40	1.315
2.79	.110	33.02	1.300
2.54	.100	27.43	1.080
2.41	.095	13.46	.530
2.29	.090	13.21	.520
0.76	.030	8.64	.340
0.38	.015	8.13	.320
0.25	.010	7.62	.300
0.13	.005	6.35	.250

CONVERSION TABLE

9	BLACK	480764-9
	GRAY	480764-8
	BLUE	480764-6
	GREEN	480764-5
	YELLOW	480764-4
9	ORANGE	480764-3
	RED	480764-2
	BROWN	480764-1
	NATURAL	1-480764-0
	COLOR	PART NO

THIS DRAWING IS A CONTROLLED DOCUMENT.

DIMENSIONS: mm	TOLERANCES UNLESS OTHERWISE SPECIFIED:	DIN K. WHITAKER 07JUN92	CHK R. SWING 07JUN92	APVD D. SELF 08JUN92	NAME
0. PLC ± -	1. PLC ± -	2. PLC ± 0.13	3. PLC ± -	4. PLC ± -	APPLICATION SPEC
ANGLES ± 1°					
MATERIAL NYLON,UL 94V-2	FINISH -	WEIGHT	SIZE A1	CAGE CODE 00779	DRAWING NO. 480764
CUSTOMER DRAWING		SCALE 4:1	SHEET 1 OF 1	REV AD3	

STE TE Connectivity

CAP.5 CIRCUIT, UNIVERSAL MATE-N-LOK™