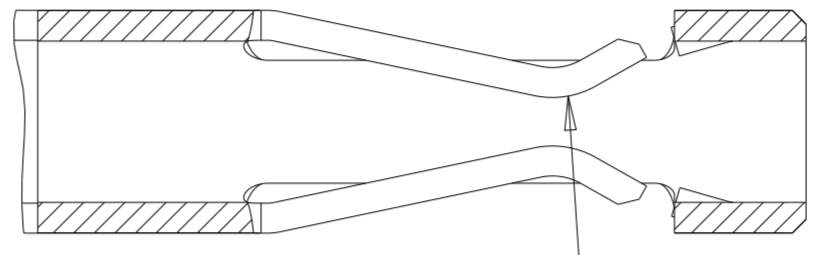
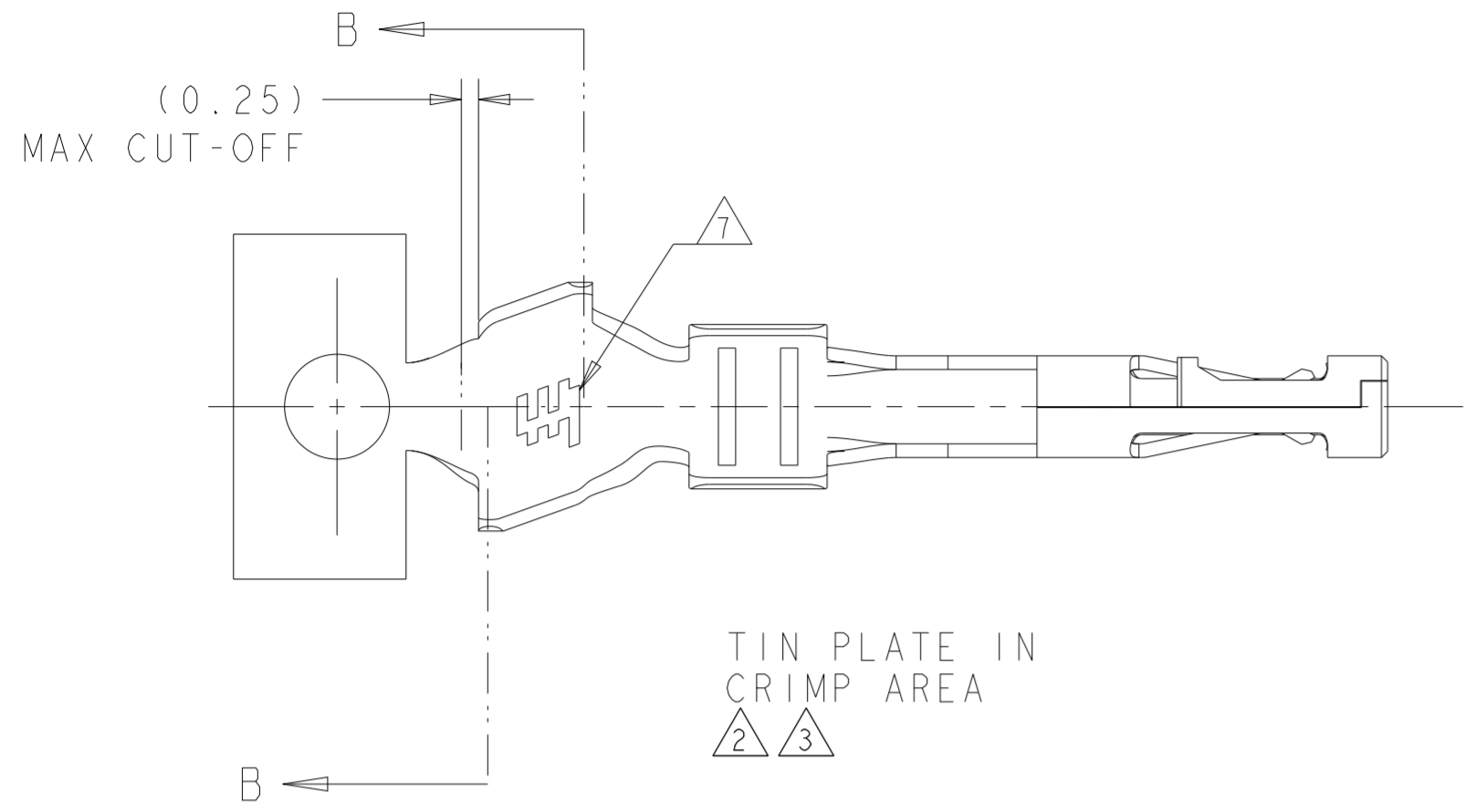
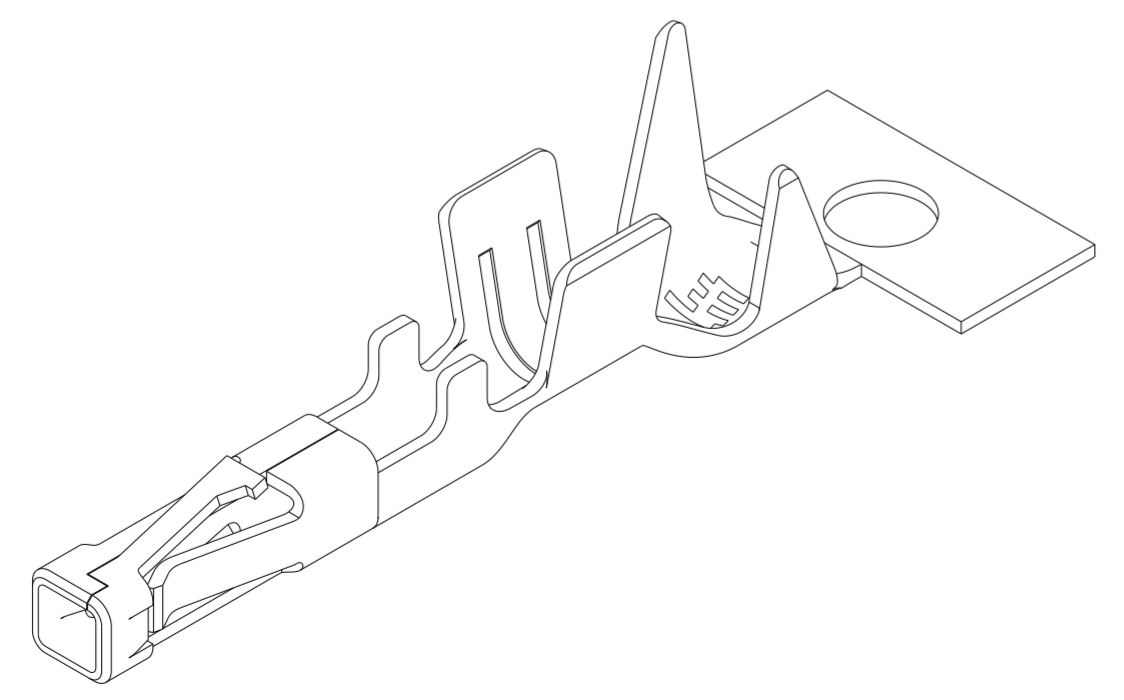
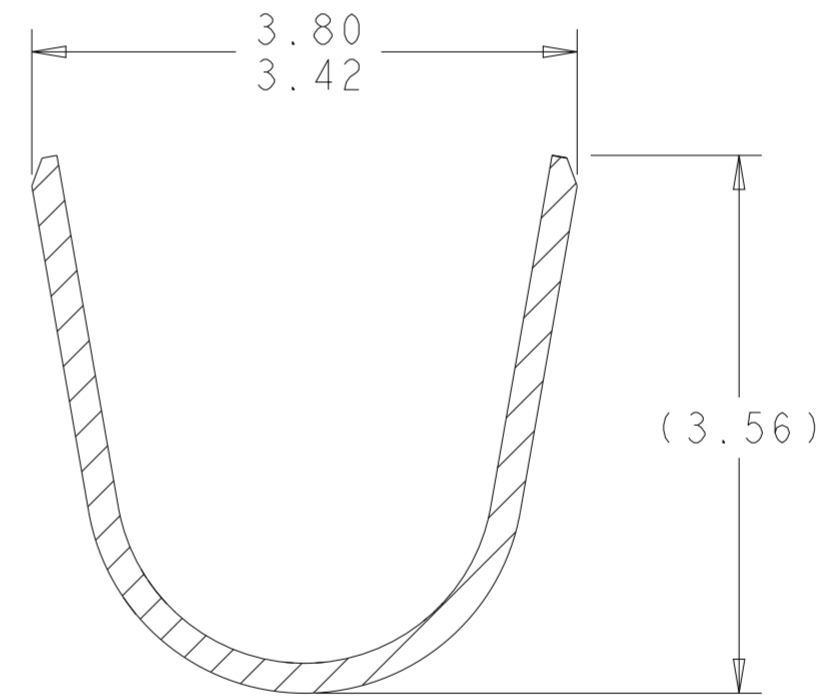
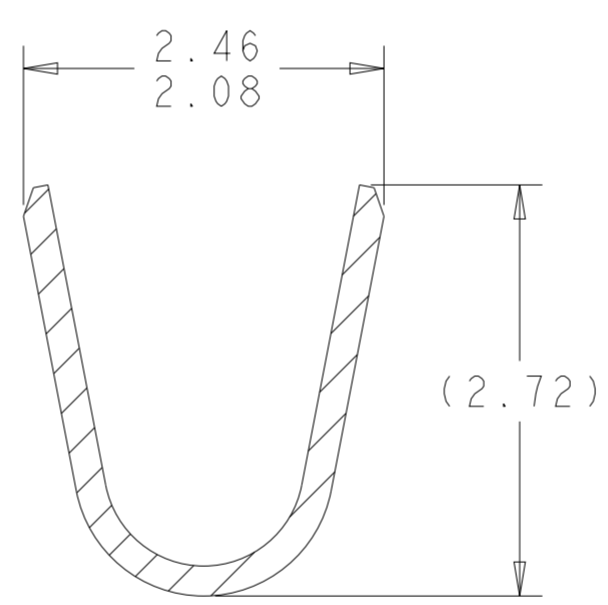
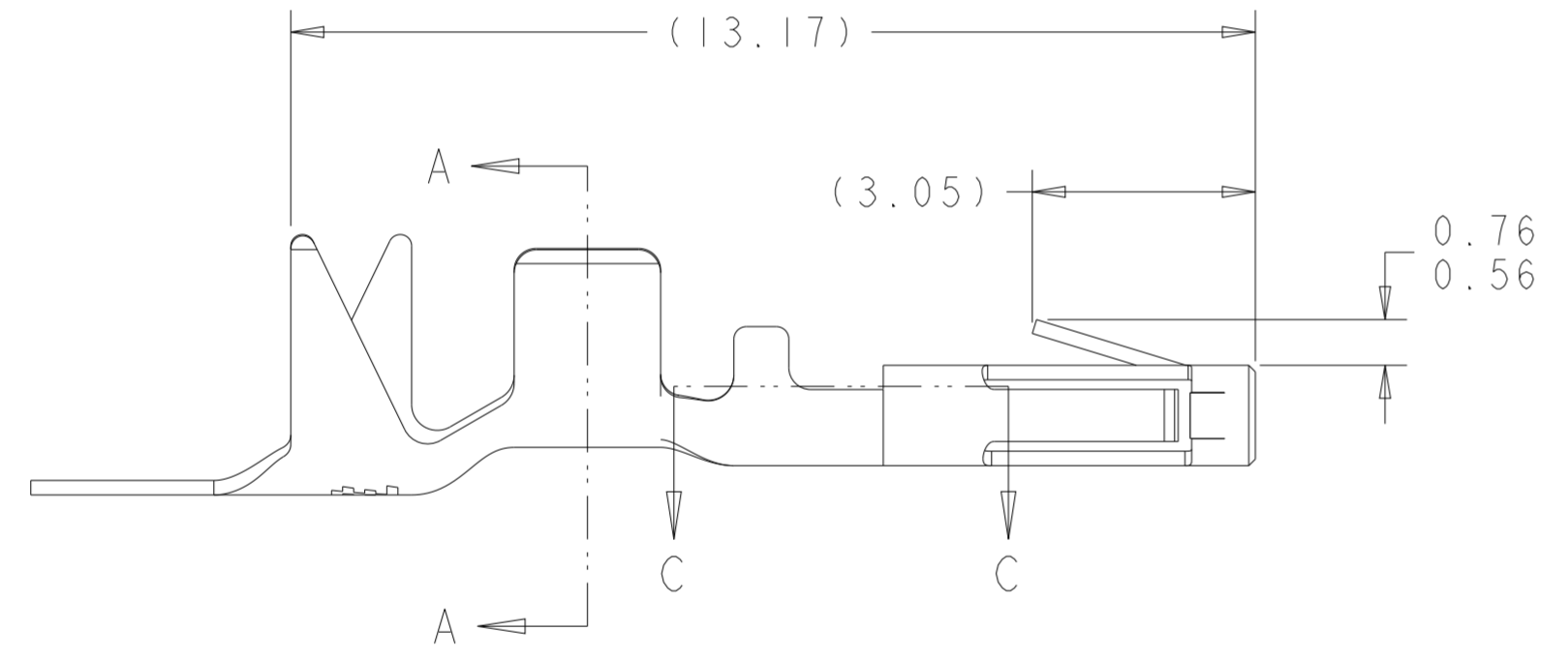


LOC	DIST	REVISIONS					
CM	0	P	LTR	DESCRIPTION	DATE	DWN	APVD
		A		REVISED PER ECO-09-012256	22MAY2009	HMR	SM
		A1		ECO-19-006909	03MAY2019	AP	WS
		A2		REVISED PER ECR-21-114419	28SEP2021	WLS	VS



- ① PHOSPHOR BRONZE, 0.2 THK REF.
- ② 0.381  $\mu$ m MIN THK GOLD STRIPE IN CONTACT AREA, 1.27  $\mu$ m MIN BRIGHT TIN PLATE IN CRIMP AREA, 1.27  $\mu$ m MIN NICKEL PLATE ALL OVER.
- ③ 0.762  $\mu$ m MIN THK GOLD STRIPE IN CONTACT AREA, 1.27  $\mu$ m MIN BRIGHT TIN PLATE IN CRIMP AREA, 1.27  $\mu$ m MIN NICKEL PLATE ALL OVER.
- 4. WIRE RANGE : 22 - 18 AWG
- 5. INSULATION RANGE :  $\varnothing$ 1.50 - 2.79
- ⑥ 0.8  $\mu$ m MIN THK BRIGHT TIN PLATE, LUBRICATED
- ⑦ TYCO ELECTRONICS LOGO LOCATED APPROXIMATELY AS SHOWN.



③	2008625-3
②	2008625-2
⑥	2008625-1
FINISH	PART NUMBER

METRIC

THIS DRAWING IS A CONTROLLED DOCUMENT FOR TYCO ELECTRONICS CORPORATION. IT IS SUBJECT TO CHANGE AND THE CONTROLLING ENGINEERING ORGANIZATION SHOULD BE CONTACTED FOR THE LATEST REVISION.		DWN R BROWN 03APR2008	Tyco Electronics Harrisburg, PA 17105-3608	
DIMENSIONS: mm		CHK M. McCARTHY 03APR2008	NAME CONTACT, RECEPTACLE, CRIMP SNAP-IN MICRO MATE-N-LOK(TM) 22-18 AWG	
TOLERANCES UNLESS OTHERWISE SPECIFIED: 0 PLC $\pm$ 1 PLC $\pm$ 2 PLC $\pm 0.13$ 3 PLC $\pm$ 4 PLC $\pm$ ANGLES $\pm 1^\circ$ FINISH		APVD C. JONES 28MAY2008	PRODUCT SPEC 108-1836	
MATERIAL ① -		APPLICATION SPEC 114-13000	SIZE A2	CAGE CODE 00779
SEE NOTES		WEIGHT -	DRAWING NO C-2008625	RESTRICTED TO -
		CUSTOMER DRAWING	SCALE 10:1	SHEET 1 OF 1
			REV A2	