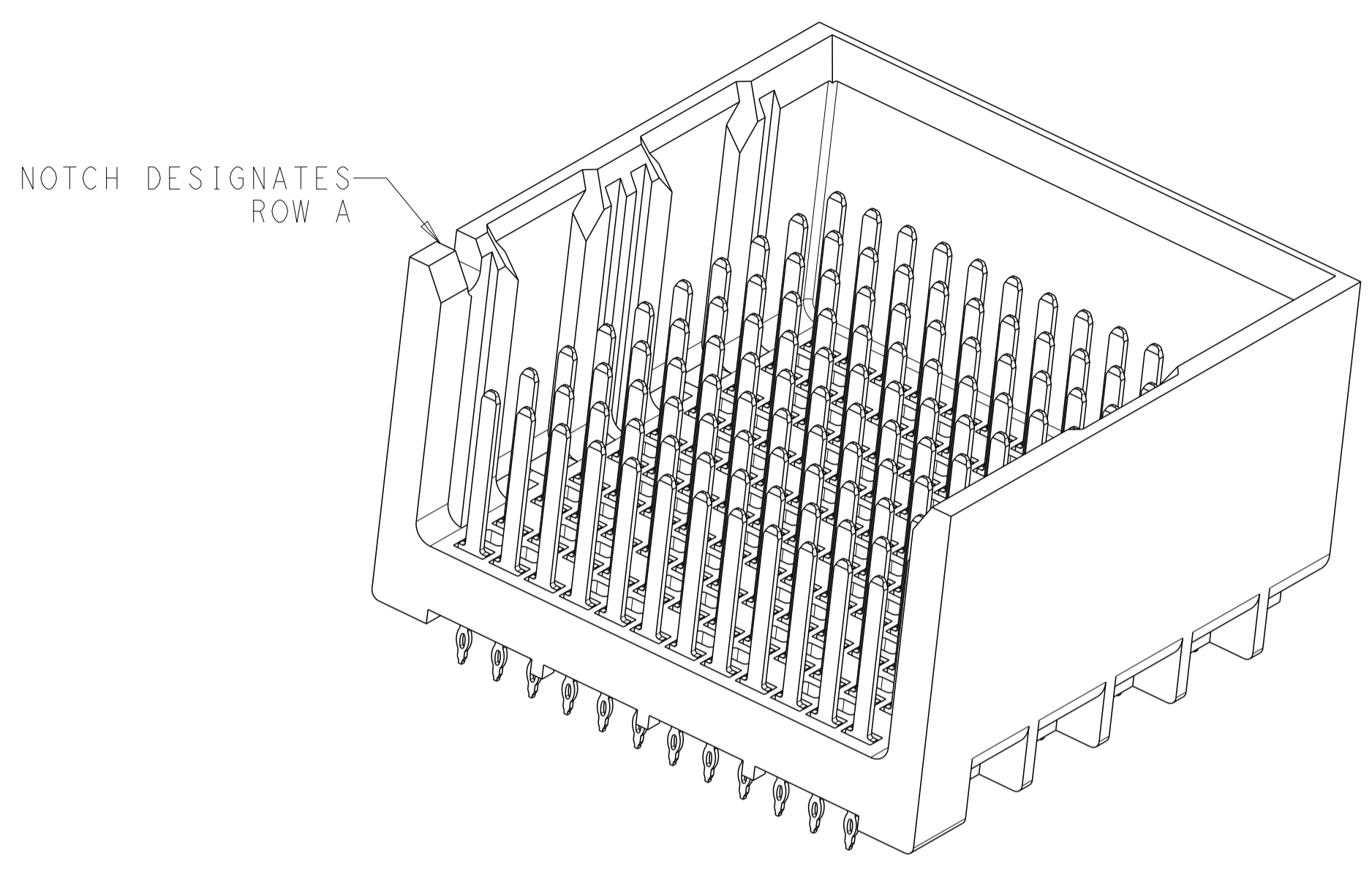
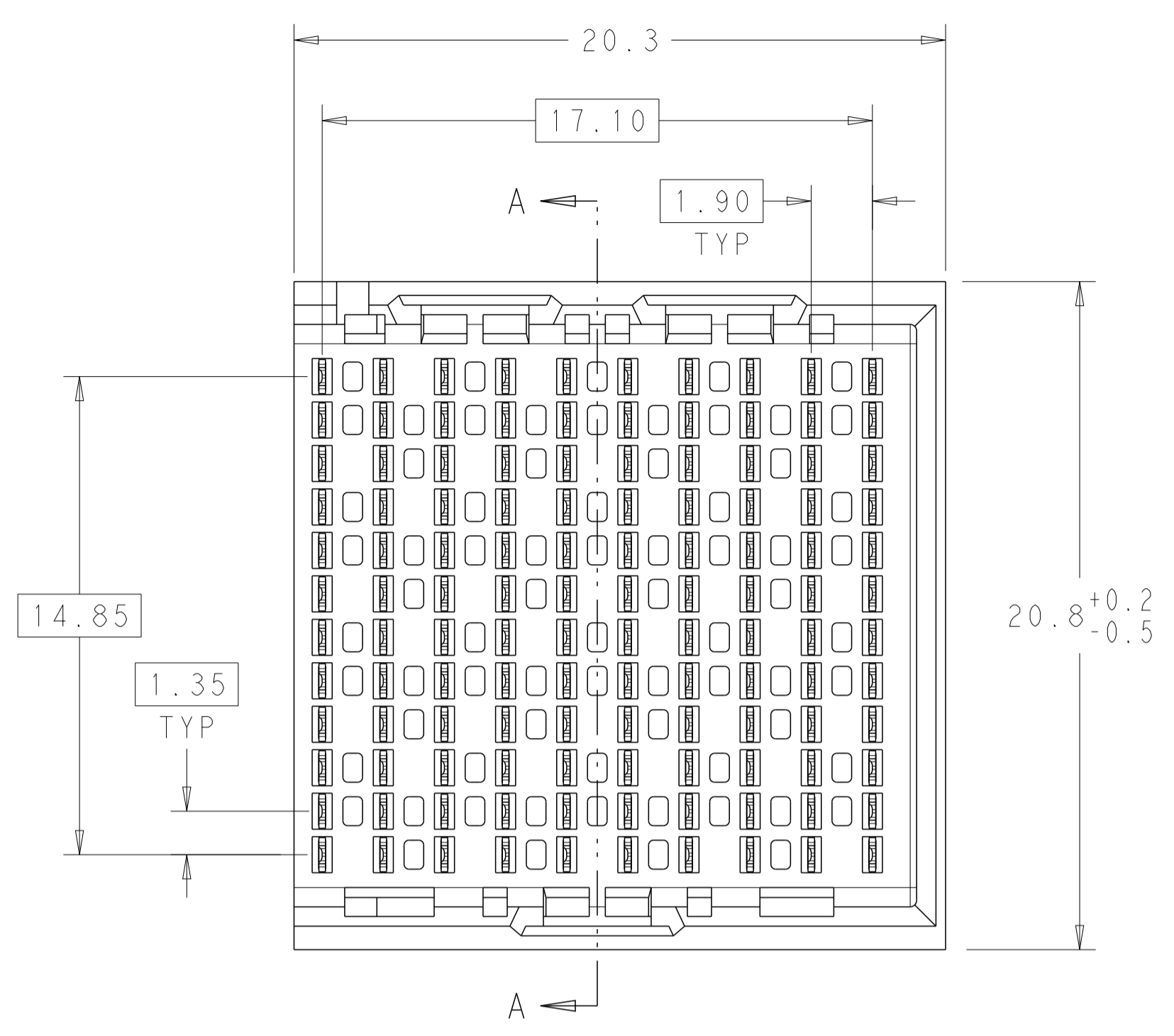
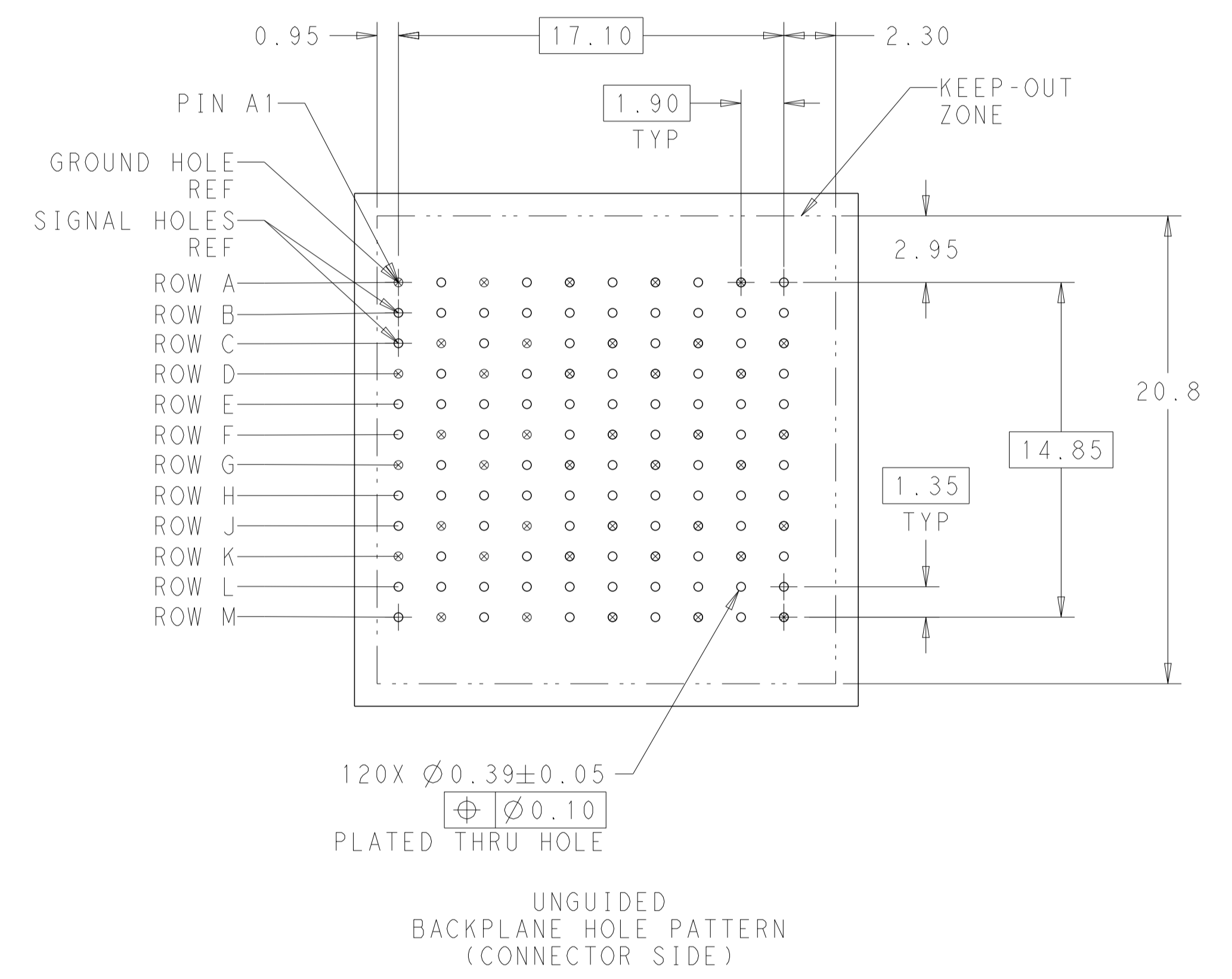
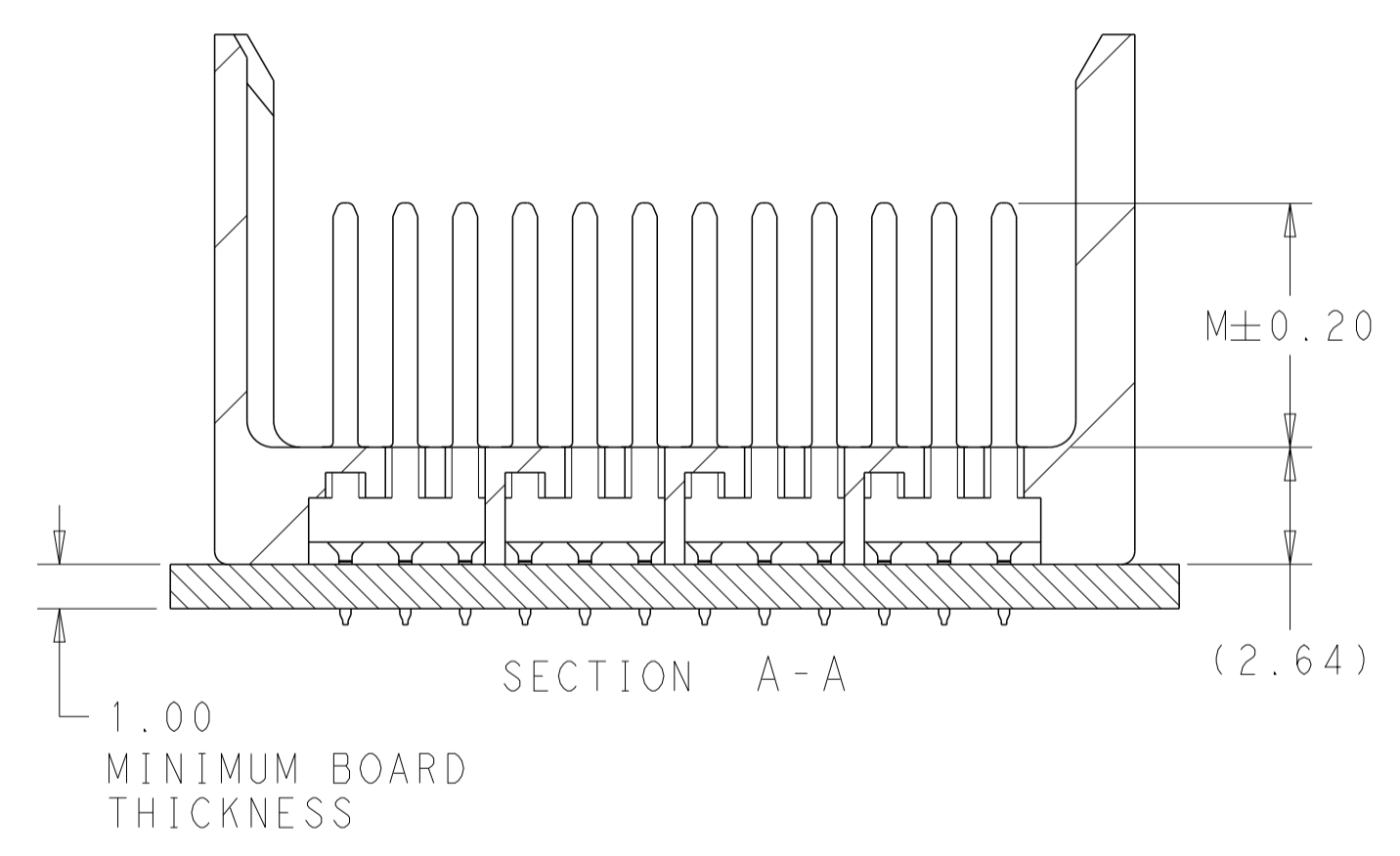
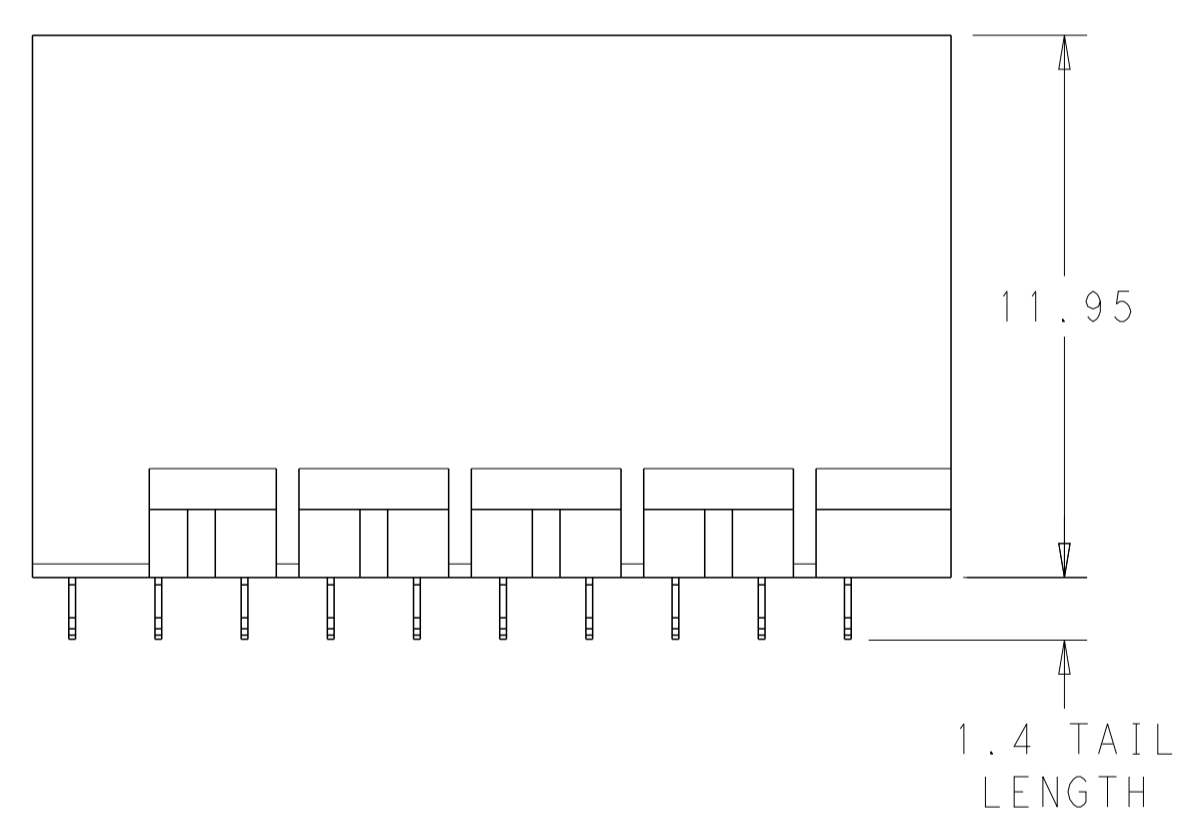


LOC		DIST		REVISIONS			
AD	00	P	LTN	DESCRIPTION	DATE	DWN	APVD
		B3		REVISED PER ECN-22-135126	07FEB2022	A.S	H.L



- 1 MATERIAL:
HOUSING: LCP, GLASS FILLED, UL94V-0.
TERMINALS: HIGH PERFORMANCE COPPER ALLOY.
- 2 FINISH:
30μ" MIN GOLD IN CONTACT AREA. SELECTIVE TIN ON PCB TAILS, NICKEL OVERALL.
- 3 FINISH:
30μ" MIN GOLD IN CONTACT AREA. SELECTIVE TIN-LEAD ON PCB TAILS, NICKEL OVERALL.



3	5.5	2007823-6	OBSOLETE
3	4.9	2007823-5	
3	4.5	2007823-4	
2	5.5	2007823-3	
2	4.9	2007823-2	
2	4.5	2007823-1	
FINISH	DIM M	PART NUMBER	

REFER TO WWW.TE.COM FOR PRODUCT AVAILABILITY

THIS DRAWING IS A CONTROLLED DOCUMENT.		DWN J.K.SHOBER 13JAN2011	TE Connectivity
DIMENSIONS: mm		CHK J. EARY 13JAN2011	
TOLERANCES UNLESS OTHERWISE SPECIFIED:		APVD J. EARY 13JAN2011	NAME IMPACT, 4 PAIR, 10 COLUMN, HEADER
0 PLC ±0.25		PRODUCT SPEC	UNGUIDED, RIGHT END WALL
2 PLC ±0.13		APPLICATION SPEC	SIGNAL MODULE, 0.39 PTH
3 PLC ±		SIZE	A100779C=2007823
4 PLC ±		WEIGHT	RESTRICTED TO
ANGLES ±		CUSTOMER DRAWING	SCALE 6:1 SHEET 1 OF 1 REV B3
FINISH SEE TABLE			