

PART NUMBER	ENG. NO	FINISHED LENGTH
1300240214	DND10A-M005	1FT 8IN [0.5M]
1300240215	DND10A-M010	3FT 3IN [1.0M]
1300240223	DND10A-M100	32FT 10IN [10.0M]

(B) CABLE LENGTH TOLERANCES

<.3M [1FT]: +19mm-0 [+.75in-0]

.3 - .9M [1 - 3FT]: +44.5mm-0 [+1.75in-0]

.9 - 1.8M [3 - 6FT]: +55.6mm-0 [+2.19in-0]

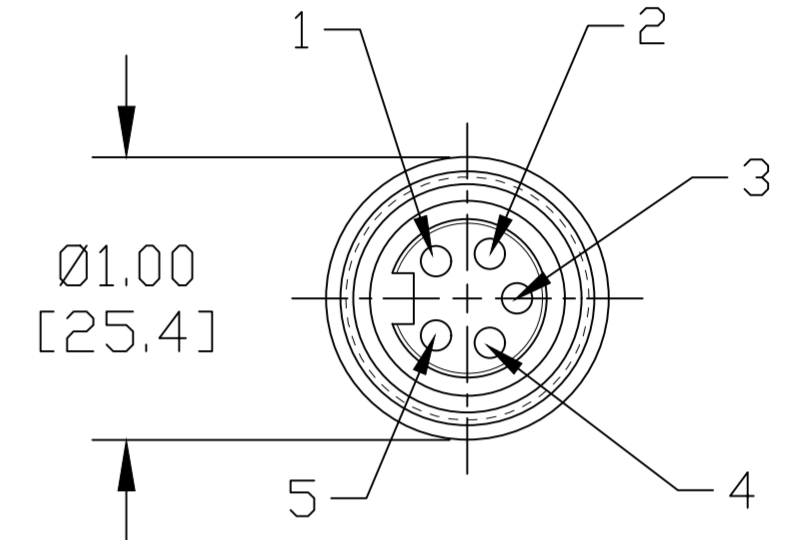
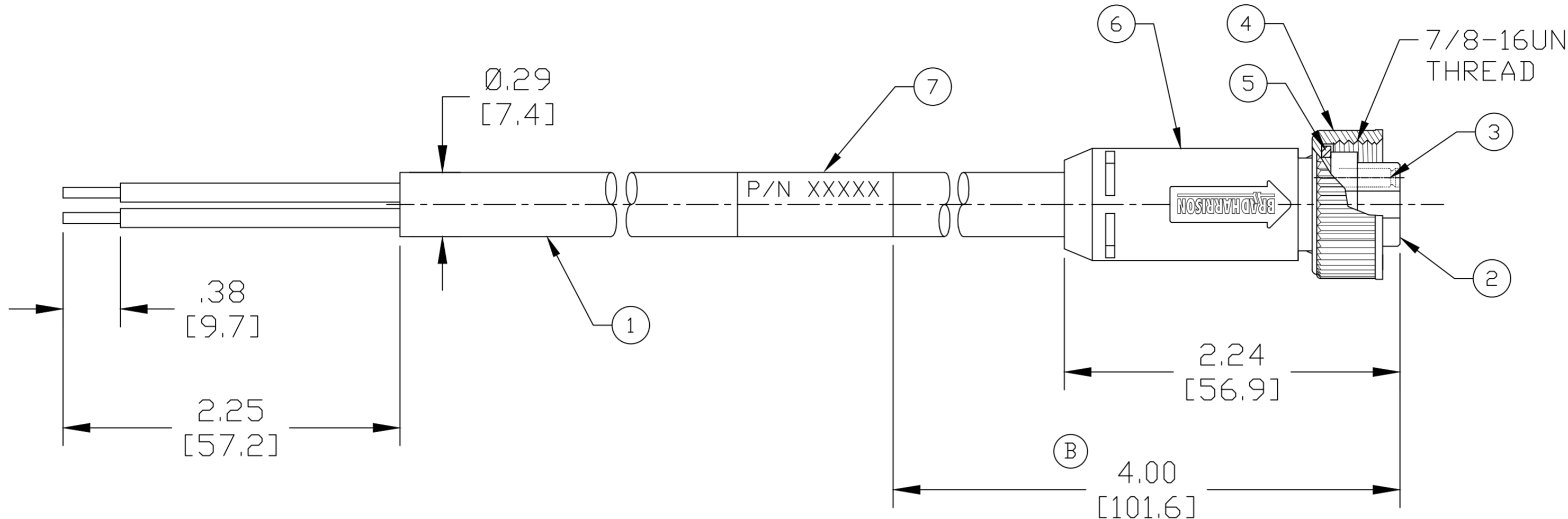
1.8 - 3.7M [6 - 12FT]: +88.9mm-0 [+3.50in-0]

3.7 - 7.3M [12 - 24FT]: +165.1mm-0 [+6.50in-0]

7.3-14.6M [24 - 48FT]: +317.5mm-0 [+12.50in-0]

14.6 - 30.5M [48-100FT]: +622.3mm-0 [+24.50in-0]

OVER 30M [100FT] +2% OF FINISHED LENGTH



FEMALE FACE VIEW

1	DRAIN
2	RED
3	BLACK
4	WHITE
5	BLUE

- NOTES:**
- MATERIAL: AS NOTED
 - FINISH: AS NOTED
 - ELECTRICAL:
VOLTAGE: 300V PER IEC 60664 (B)
300V PER UL 2238
CURRENT: 4A
 - TEMP RATING: -20°C TO +80°C
 - PROTECTION: IP67 (WHEN MATED)
 - COUPLING THREAD: AS NOTED
 - UL RECOGNIZED FILE: E152210
CSA RECOGNIZED FILE: LR6837
 - ALL DIMS ARE FOR REFERENCE UNLESS TOLERANCED OR NOTED OTHERWISE

PART NO. LEGEND

DND10A-M010

CABLE TYPE DEVICE-NET

FINISHED LENGTH
M005----0.5 Meter
M010----1 Meter
M100----10 Meter

WIRING DIAGRAM

ITEM	DESCRIPTION	MATERIAL	FINISH
7	WRAP LABEL	VINYL	BLACK/YELLOW
6	OVERMOLD	TPE (B)	GRAY
5	FRICTION RING	NYLON	WHITE
4	COUPLING NUT, INT. THD	ZINC DIE-CAST	BLACK E-COAT
3	CONTACT SOCKET	COPPER ALLOY	GOLD PLATED
2	FEMALE INSERT	TPE (B)	BLACK (B)
1	CABLE, 22AWG DEV-NET DROP	PVC JACKET	GRAY

THIS DRAWING CONTAINS INFORMATION THAT IS PROPRIETARY TO MOLEX ELECTRONIC TECHNOLOGIES, LLC AND SHOULD NOT BE USED WITHOUT WRITTEN PERMISSION

FUNCTIONAL SYMBOLS	DIMENSION UNITS	SCALE	CURRENT REV DESC: REV NOTES, LABEL DIM WAS 12/14 IN, O-MOLD WAS PVC, INSERT WAS PVC GRAY ADD CABLE LENGTH TOL, UPDATE BORDER	
	INCH/MM	NTS		
DIVISIONAL SYMBOLS	GENERAL TOLERANCES (UNLESS SPECIFIED)		EC NO: 688872	
	mm	INCH	DRWN: RSTONE	2021/12/14
FUNCTIONAL SYMBOLS	4 PLACES	±----	CHK'D: ALEON01	2021/12/15
	3 PLACES	±----	APPR: BWOODMAN	2021/12/15
	2 PLACES	±----	INITIAL REVISION:	
	1 PLACE	±----	DRWN: E BRACKEN	2013/09/12
FUNCTIONAL SYMBOLS	0 PLACES	±----	APPR: BWOODMAN	2013/10/07
	ANGULAR TOL ± ---- °		THIRD ANGLE PROJECTION	
DRAFT WHERE APPLICABLE MUST REMAIN WITHIN DIMENSIONS		DRAWING		SERIES
		C-SIZE		130024

molex

MINI-CHANGE DEVICE-NET CABLE ASSY

5 POLE STRAIGHT FEMALE, SINGLE KEY 22/4 DROP CABLE, GRAY PVC

PRODUCT CUSTOMER DRAWING

DOCUMENT NUMBER	DOC TYPE/DOC PART	REVISION
SD-130024-018	PSD 001	B
MATERIAL NUMBER	CUSTOMER	SHEET NUMBER
SEE P/N LEGEND	GENERAL MARKET	1 OF 1