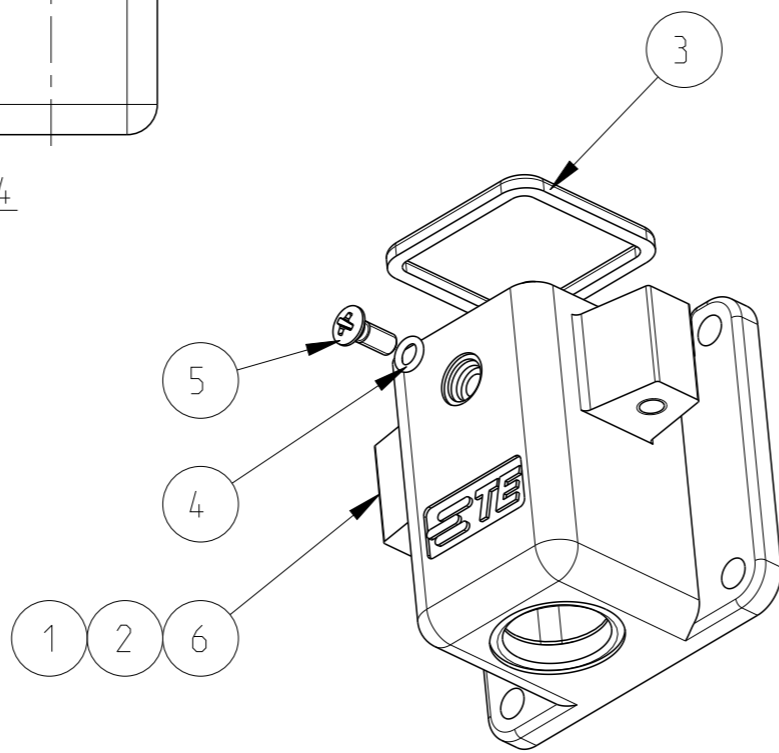
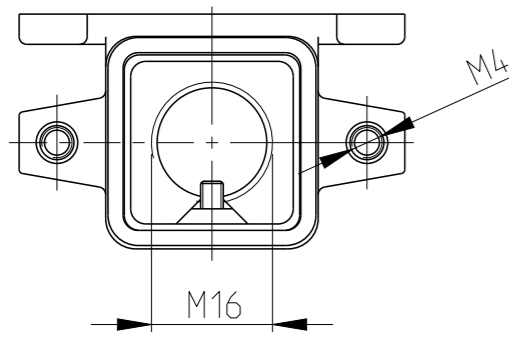
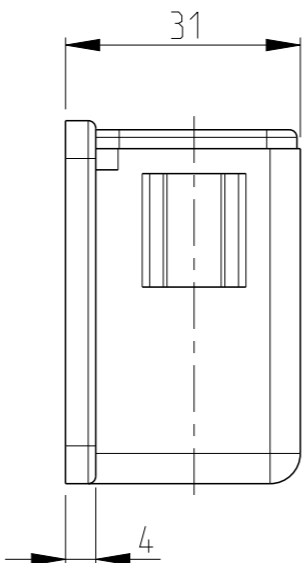
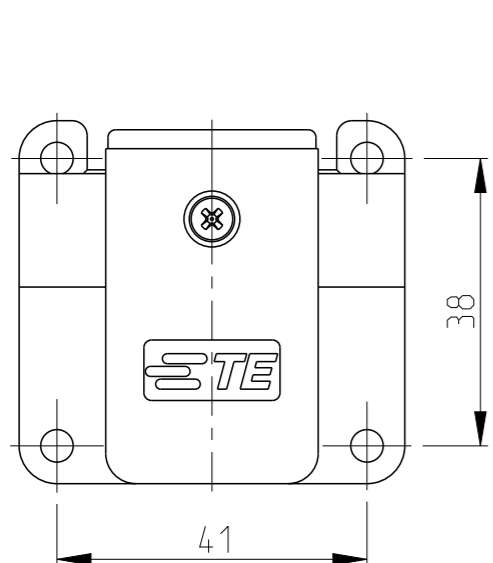


REVISIONS

P	LTR	DESCRIPTION	DATE	DWN	APVD
A3		ECR-10-009777	27MAY2010	SR	AR
B		ECR-16-001983	20MAY2016	GCM	JB
C		ECR-16-014579	10MAY2017	GCM	JB
C1		ECR-21-123564	14MAR2022	RK	JB




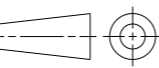
Notes

- 1 SUITABLE HOUSINGS: SERIES HIP, SIZE 1
CUSTOMER DRAWING 1102600 1106408, 1106200
- 2 STANDARDS:
DIN EN 61984, DIN EN 60664-1
- 3 TOOL:
PHILLIPS SCREWDRIVER PH1.
- 4 VARNISH ON INSIDE AREA NOT NECESSARY
- 5 PACKAGING:
10 SETS IN A CARTON.

	0-1106407-3	HIP-K.3/4.SG-N
	0-1106407-2	HIP-K.3/4.SG.1.M16.G
OBSOLETE	0-1106407-1	HIP.3/4.SG.1.M16.G
	PART NO.	ORDERING TEXT

QTY	PN	DESCRIPTION	MATERIAL	COLOR/SURFACE	NOTE	ITEM
1		ANGLED BULKHEAD HOUSING	ALU	BLACK	WITHOUT LOGO & DRILLING	6
1	1	SCREW COUNTERSUNK RAISED HEAD	STAINL. STEEL V2A	-	M3x8 PH1 DIN EN ISO 7047	5
1	1	O - RING	NBR	BLACK	3.0x1.0	4
1	1	PROFILE SEAL	FKM	BLACK	SERIES EMV / HIP	3
	1	ANGLED BULKHEAD HOUSING	ALU	BLACK	SERIES HIP-K	2
	-	ANGLED BULKHEAD HOUSING	ALU	GREY	SERIES HIP	1
0-3	0-2					
	PN/QTY	DESCRIPTION	MATERIAL	COLOR/SURFACE	NOTE	ITEM

PARTS LIST (PER ONE UNIT)

THIS DRAWING IS A CONTROLLED DOCUMENT.		DWN V.GLUMM 25AUG2009	 TE Connectivity
DIMENSIONS: mm		CHK H.Braun 25AUG2009	
		APVD T.Schnurpfeil 25AUG2009	
TOLERANCES UNLESS OTHERWISE SPECIFIED:		PRODUCT SPEC	
0 PLC ± 1 PLC ± 2 PLC ± 3 PLC ± 4 PLC ± ANGLES ±1°		APPLICATION SPEC	NAME ANGLED BULKHEAD HOUSING ASS'Y SIDE ENTRY, SERIES HIP, SIZE 1
MATERIAL		WEIGHT	SIZE A3
			CAGE CODE 00779
			DRAWING NO C-1106407
			RESTRICTED TO
		CUSTOMER DRAWING	SCALE 1:1
			SHEET 1 OF 1
			REV C1