

NOTE

- 嵌合相手: 51382-****
MATE WITH: 51382-****
- 偶数極 (列) に適用。
APPLY EVEN CIRCUIT PRODUCTS.
- キンフは両外側の位置に付加。
KINK TO BE APPLIED BOTH ENDS.
- 材質: ハウジング: ポリエステル(PBT) UL94V-0
MATERIALS HOUSING: POLYESTER(PBT) UL94V-0
ピン: 黄銅
PIN: BRASS
- めっき: ビン: 鍍めつき, リフロー処理(前めっき) めっき厚: 1.0 μm MIN.
ニッケル下地めっき, めっき厚: 0.5 μm MIN.
FINISHES PIN: PRE-TIN PLATED, (HEAT TREATED MATTE TIN)
PLATING THICKNESS: 1.0 μm MIN.
NICKEL UNDERPLATE OVERALL
PLATING THICKNESS: 0.5 μm MIN.
- 製品番号 MATERIAL NO.
55935-****

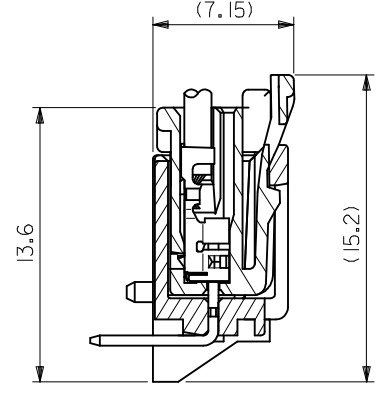
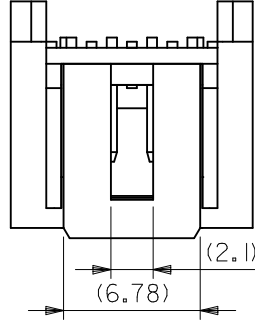
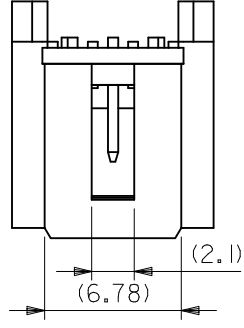
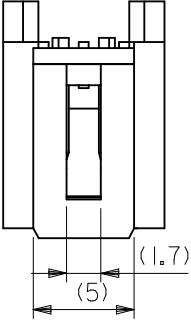
極数 CIRCUIT SIZE | 色 COLOR

| | | | | | |
|----|----------------------------|----|----|----|-------------------|
| 10 | 自然色 (白) NATURAL (WHITE) | | | | |
| 11 | 黒 BLACK | | | | |
| 12 | 赤 RED | | | | |
| 13 | 黄 YELLOW | | | | |
| 14 | 青 BLUE | 31 | 28 | 34 | 55935-15** 15 |
| 15 | 桃 PINK | 29 | 26 | 32 | 55935-14** 14 |
| 16 | 緑 GREEN | 27 | 24 | 30 | 55935-13** 13 |
| 17 | 茶 BROWN | 25 | 22 | 28 | 55935-12** 12 |
| 18 | 橙 ORANGE | 23 | 20 | 26 | 55935-11** 11 |
| 19 | 紫 VIOLET | 21 | 18 | 24 | 55935-10** 10 |
| 41 | 灰 GRAY | 19 | 16 | 22 | 55935-09** 9 |
| 43 | 蛍光黄 FLUORESCENCE YELLOW | 17 | 14 | 20 | 55935-08** 8 |
| 44 | 水 PALE BLUE | 15 | 12 | 18 | 55935-07** 7 |
| 46 | 黄緑 YELLOWISH GREEN | 13 | 10 | 16 | 55935-06** 6 |
| | | 11 | 8 | 14 | 55935-05** 5 |
| | | 9 | 6 | 12 | 55935-04** 4 |
| | | 7 | 4 | 10 | 55935-03** 3 |
| | | 5 | 2 | 8 | 55935-02** 2 |
| | | C | B | A | MATERIAL NO. CKT. |

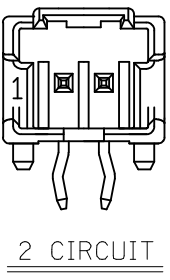
MODEL NO.: 55935-****

| | | | | | | | |
|--|--|-----------|--|-----------------------------|--|--|---------------------------|
| REVISED EC NO: J2018-0106 2017/09/25 DRWN: MIKEDA01 CHK: DAIDA 2017/09/25 APPR: KANEKO 2017/09/25 | GENERAL TOLERANCES (UNLESS SPECIFIED) | | DIMENSION STYLE MM ONLY | | SCALE --- | DESIGN UNITS METRIC | THIRD ANGLE PROJECTION |
| | 0.25 UNDER | UNDER | ±0.03 | DRAWN BY T. NIITSU | DATE '02/05/15 | TITLE 2.0 W/B SINGLE CONN. PLUG HOUSING ASS'Y R/A -LEAD FREE- | |
| | 0.25 OVER | 0.5 UNDER | ±0.05 | CHECKED BY K. ASAKAWA | DATE '03/06/12 | | |
| | 0.5 OVER | 1.0 UNDER | ±0.1 | APPROVED BY T. YAMAGUCHI | DATE '03/06/12 | | |
| 1.0 OVER | 10 UNDER | ±0.20 | MATERIAL NO. | SEE CHART | DOCUMENT NO. SD-55935-005 | SHEET NO. 1 OF 2 | |
| 10 OVER | 30 UNDER | ±0.25 | DRAFT WHERE APPLICABLE MUST REMAIN WITHIN DIMENSIONS | | THIS DRAWING CONTAINS INFORMATION THAT IS PROPRIETARY TO MOLEX ELECTRONIC TECHNOLOGIES, LLC AND SHOULD NOT BE USED WITHOUT WRITTEN PERMISSION | | |
| 30 OVER | | ±0.30 | SIZE A3 | | | | |

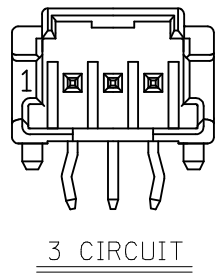
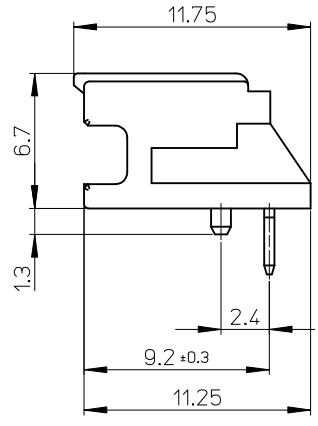
10 9 8 7 6 5 4 3 2 1



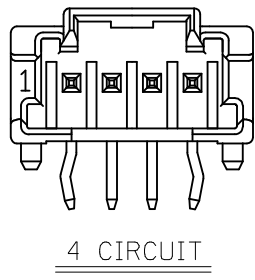
嵌合断面图



2 CIRCUIT



3 CIRCUIT



4 CIRCUIT

MODEL NO. : 55935-****

| | | | | | | | | | |
|--|---------------------------------------|-----------|--------------|---|-----------|---|------------------------|------------------------|--|
| REVISED EC NO: J2018-0106 DRWN:MIKEDA01 2017/09/25 CHK:DAIDA 2017/09/25 APPR:KANAKO 2017/09/25 | GENERAL TOLERANCES (UNLESS SPECIFIED) | | | DIMENSION STYLE MM ONLY | | SCALE --- | DESIGN UNITS METRIC | THIRD ANGLE PROJECTION | |
| | 0.25 UNDER | UNDER | ±0.03 | DRAWN BY | DATE | TITLE | | | |
| | 0.25 OVER | 0.5 UNDER | ±0.05 | T.NIITSU | '02/05/15 | 2.0 W/B SINGLE CONN. PLUG HOUSING ASS'Y R/A -LEAD FREE- | | | |
| | 0.5 OVER | 1.0 UNDER | ±0.1 | CHECKED BY | DATE | molex DOCUMENT NO. SD-55935-005 SHEET NO. 2 OF 2 | | | |
| | 1.0 OVER | 10 UNDER | ±0.20 | K.ASAKAWA | '03/06/12 | | | | |
| 10 OVER | 30 UNDER | ±0.25 | APPROVED BY | DATE | | | | | |
| 30 OVER | | ±0.30 | T.YAMAGUCHI | '03/06/12 | | | | | |
| ANGULAR | ±3 ° | | MATERIAL NO. | | | | | | |
| DRAFT WHERE APPLICABLE MUST REMAIN WITHIN DIMENSIONS | | | SIZE A3 | THIS DRAWING CONTAINS INFORMATION THAT IS PROPRIETARY TO MOLEX ELECTRONIC TECHNOLOGIES, LLC AND SHOULD NOT BE USED WITHOUT WRITTEN PERMISSION | | | | | |

9 8 7 6 5 4 3 2 1