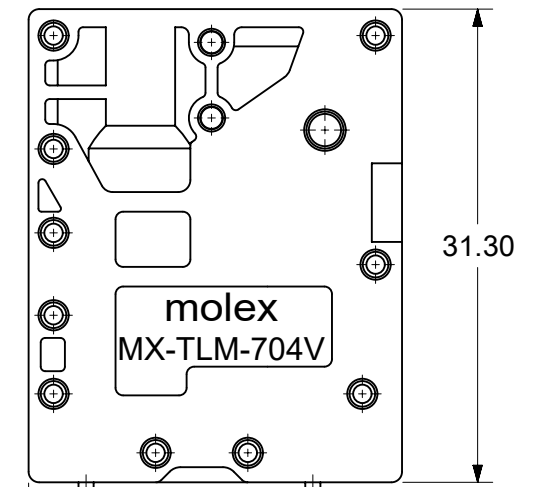
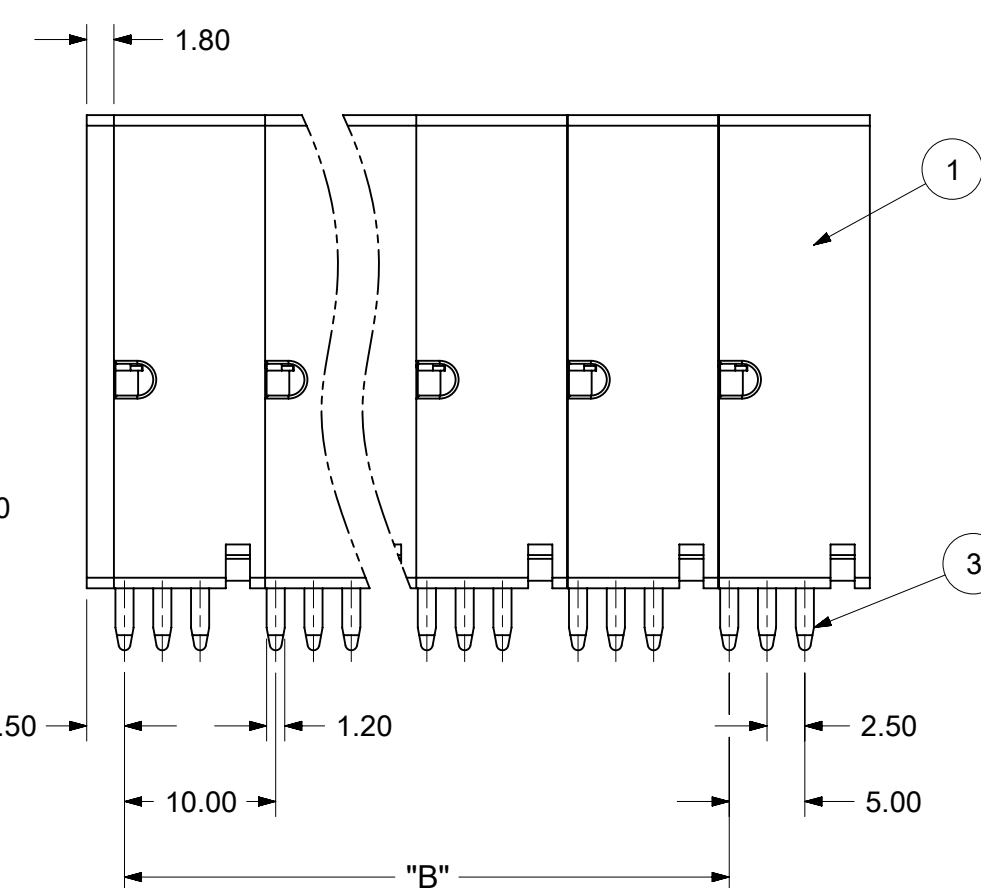
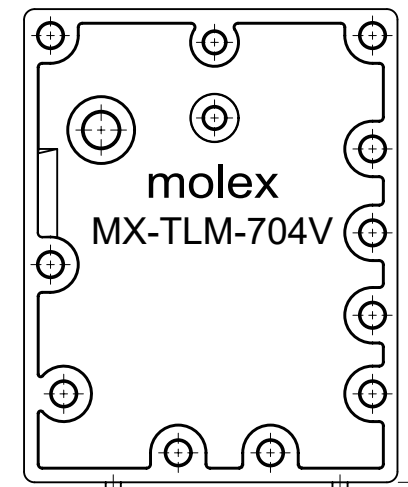


SPECIFICATIONS:

- MATERIAL:**
 - HOUSING: PA66 POLYAMIDE UL94-V0
 - CLAMPING SPRING: STAINLESS STEEL
 - TIN PLATED COPPER ALLOY
- MAXIMUM VOLTAGE: 600V (PER UL)
- MAXIMUM CURRENT: 65A (PER UL)
- WIRE RANGE: 4-20 AWG (SOLID OR STRANDED)
- INSULATION RESISTANCE: 500MΩ OR MORE AT 500V DC
- RATED SURGE VOLTAGE: 8KV
- OPERATION TEMPERATURE RANGE: -40°C TO +105°C



Total Pitch Tolerances in mm									Nominal dimension range in mm											⊥	≡	—	//					
over 0	over 30	over 53	over 70	over 90	over 115	over 150	over 200	over 250	over 0	over 30	over 53	over 70	over 90	over 115	over 150	over 200	over 250	over 320	over 0	over 10	all	over 0	over 100	over 150				
±0.18	±0.20	±0.25	±0.30	±0.35	±0.44	±0.55	±0.70	±0.75	±0.20	±0.25	±0.30	±0.35	±0.44	±0.55	±0.70	±0.80	±0.90	10	0.2	0.3	0.3	0.2	0.3	0.5				

THIS DRAWING CONTAINS INFORMATION THAT IS PROPRIETARY TO MOLEX ELECTRONIC TECHNOLOGIES, LLC AND SHOULD NOT BE USED WITHOUT WRITTEN PERMISSION

FUNCTIONAL SYMBOLS	DIMENSION UNITS	SCALE	CURRENT REV DESC: CORRECTED DIM "A" IN SHEET-2	
∇ = 0	mm	2:1		
∇ = 0	GENERAL TOLERANCES (UNLESS SPECIFIED)			
∇ = 0	ANGULAR TOL ± ---			
DIVISIONAL SYMBOLS	4 PLACES ± ---		EC NO: 716755	
	3 PLACES ± ---		DRWN: ABENJAMINLW 2022/08/04	
	2 PLACES ± SEE CHART		CHK'D: DACHAMMER 2022/08/04	
	1 PLACE ± SEE CHART		APPR: JFMURPHY 2022/08/08	
	0 PLACES ± ---		INITIAL REVISION:	
	DRAFT WHERE APPLICABLE MUST REMAIN WITHIN DIMENSIONS		DRWN: ABENJAMINLW 2020/02/17	
	THIRD ANGLE PROJECTION		APPR: JFMURPHY 2020/03/09	
	DRAWING		SERIES	
	B-SIZE		39700	
	MATERIAL NUMBER		CUSTOMER	
	SEE SHEET-2		GENERAL MARKET	
	DOCUMENT NUMBER		SHEET NUMBER	
	397003202		1 OF 2	

molex

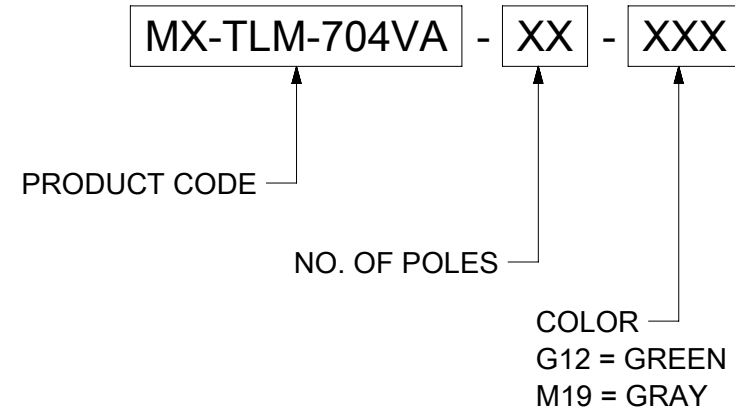
SPRING TERMINAL BLOCK
10.00MM PITCH VERTICAL ORIENTATION

PRODUCT CUSTOMER DRAWING

DOCUMENT NUMBER: 397003202 | DOC TYPE: PSD | DOC PART: 000 | REVISION: A3

NO. OF CIRCUITS	PART NUMBER	ENGINEERING NUMBER	COLOR	PART NUMBER	ENGINEERING NUMBER	COLOR	DIM. "A" (mm)	DIM. "B" (mm)
02	397003202	MX-TLM-704VA-02-G12	GREEN	397004202	MX-TLM-704VA-02P-M19	GRAY	21.80	10.00
03	397003203	MX-TLM-704VA-03-G12	GREEN	397004203	MX-TLM-704VA-03P-M19	GRAY	31.80	20.00
04	397003204	MX-TLM-704VA-04-G12	GREEN	397004204	MX-TLM-704VA-04P-M19	GRAY	41.80	30.00
05	397003205	MX-TLM-704VA-05-G12	GREEN	397004205	MX-TLM-704VA-05P-M19	GRAY	51.80	40.00
06	397003206	MX-TLM-704VA-06-G12	GREEN	397004206	MX-TLM-704VA-06P-M19	GRAY	61.80	50.00
07	397003207	MX-TLM-704VA-07-G12	GREEN	397004207	MX-TLM-704VA-07P-M19	GRAY	71.80	60.00
08	397003208	MX-TLM-704VA-08-G12	GREEN	397004208	MX-TLM-704VA-08P-M19	GRAY	81.80	70.00
09	397003209	MX-TLM-704VA-09-G12	GREEN	397004209	MX-TLM-704VA-09P-M19	GRAY	91.80	80.00
10	397003210	MX-TLM-704VA-10-G12	GREEN	397004210	MX-TLM-704VA-10P-M19	GRAY	101.80	90.00
11	397003211	MX-TLM-704VA-11-G12	GREEN	397004211	MX-TLM-704VA-11P-M19	GRAY	111.80	100.00
12	397003212	MX-TLM-704VA-12-G12	GREEN	397004212	MX-TLM-704VA-12P-M19	GRAY	121.80	110.00

ENGINEERING NUMBER LEGEND



Total Pitch Tolerances in mm									Nominal dimension range in mm									⊥	≡	—	//			
over	over	over	over	over	over	over	over	over	over	over	over	over	over	over	over	over	over	over	0	over	all	0	100	over
0	30	53	70	90	115	150	200	250	0	30	53	70	90	115	150	200	250	0	10		0	100	150	
to	to	to	to	to	to	to	to	to	to	to	to	to	to	to	to	to	to	to	to		to	to	to	
30	53	70	90	115	150	200	250	320	30	53	70	90	115	150	200	250	320	10			100	150		
±0.18	±0.20	±0.25	±0.30	±0.35	±0.44	±0.55	±0.70	±0.75	±0.20	±0.25	±0.30	±0.35	±0.44	±0.55	±0.70	±0.80	±0.90	0.2	0.3	0.3	0.2	0.3	0.5	

THIS DRAWING CONTAINS INFORMATION THAT IS PROPRIETARY TO MOLEX ELECTRONIC TECHNOLOGIES, LLC AND SHOULD NOT BE USED WITHOUT WRITTEN PERMISSION													
FUNCTIONAL SYMBOLS	DIMENSION UNITS	SCALE	CURRENT REV DESC: CORRECTED DIM "A" IN SHEET-2										
$\nabla = 0$	mm	2:1	molex SPRING TERMINAL BLOCK 10.00MM PITCH VERTICAL ORIENTATION PRODUCT CUSTOMER DRAWING										
$\nabla = 0$	GENERAL TOLERANCES (UNLESS SPECIFIED)												
$\nabla = 0$	ANGULAR TOL ± ---												
DIVISIONAL SYMBOLS	3 PLACES ± ---	2 PLACES ± SEE CHART	1 PLACE ± SEE CHART	0 PLACES ± ---	EC NO: 716755 DRWN: ABENJAMINLW 2022/08/04 CHK'D: DACHAMMER 2022/08/04 APPR: JFMURPHY 2022/08/08			DOCUMENT NUMBER 397003202			DOC TYPE	DOC PART	REVISION
	DRAFT WHERE APPLICABLE MUST REMAIN WITHIN DIMENSIONS		THIRD ANGLE PROJECTION	DRAWING	SERIES	MATERIAL NUMBER	CUSTOMER		SHEET NUMBER				
				B-SIZE	39700	SEE CHART	GENERAL MARKET		2 OF 2				