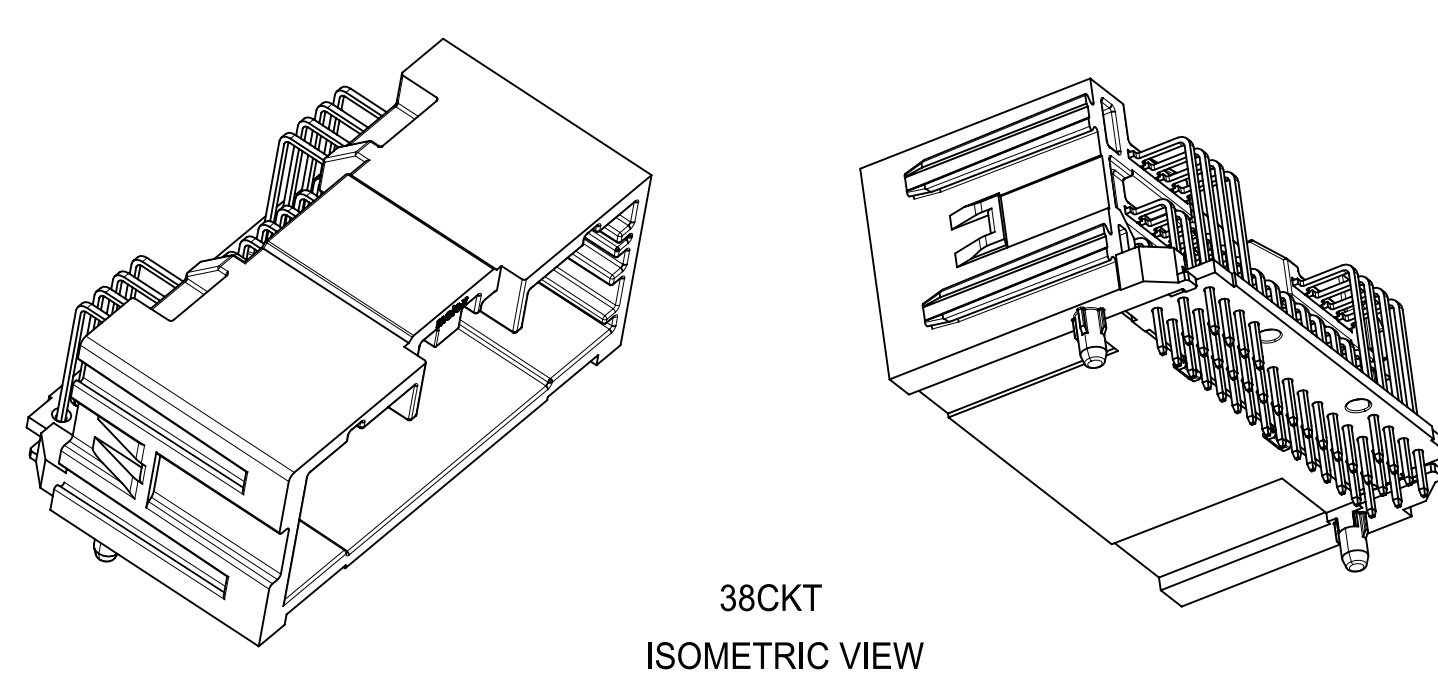
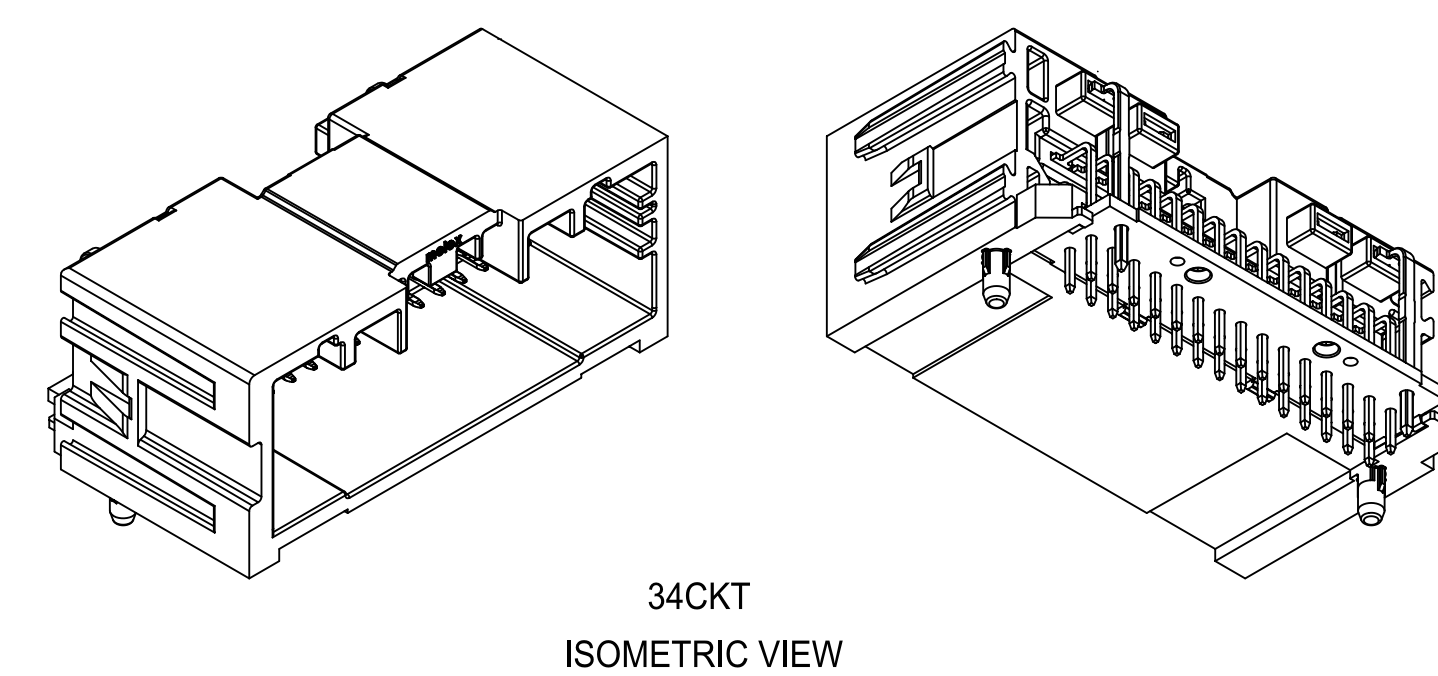


TABLE OF CONTENTS	
SHEET NO.	SHEET DESCRIPTION
1	NOTES,INSPECTION BALLOON NUMBER LOG, REV.COLUMN, ISOMETRIC VIEW, NOMINAL DIMENSION RANGE
2	PIN CONFIGURATION TABLE
3	34&38WAY POLARIZATION OPTION VIEW, HB/V0 VERSION DIFFERENCE
4	PIN INSERTION DIRECTION VIEW PAP HOLE SHAPE VIEW
5	DETAIL DIMENSION VIEW REFERENCE PCB LAYOUT



DIN 16901	CODE LETTER	NOMINAL DIMENSION RANGE													
		OVER UP TO	0	1	3	6	10	15	22	30	40	53	70	90	120
PRECISION ENGINEERING	A		±0.10	±0.12	±0.14	±0.16	±0.20	±0.22	±0.24	±0.26	±0.28	±0.31	±0.35	±0.40	±0.50
	B		±0.05	±0.06	±0.07	±0.08	±0.10	±0.12	±0.14	±0.16	±0.18	±0.21	±0.25	±0.30	±0.40

A: FOR NON-MOLD RELATED DIMENSIONS (ACROSS PARTING LINE)  
B: FOR MOLD RELATED DIMENSIONS (WITHIN MOLD COMPONENTS)

INSPECTION BALLOON NUMBER LOG
PER DRAWING REVISION: B
LAST BALLOON NUMBER USED: 8A
ADDED BALLOON NUMBERS:
REMOVED BALLOON NUMBERS:

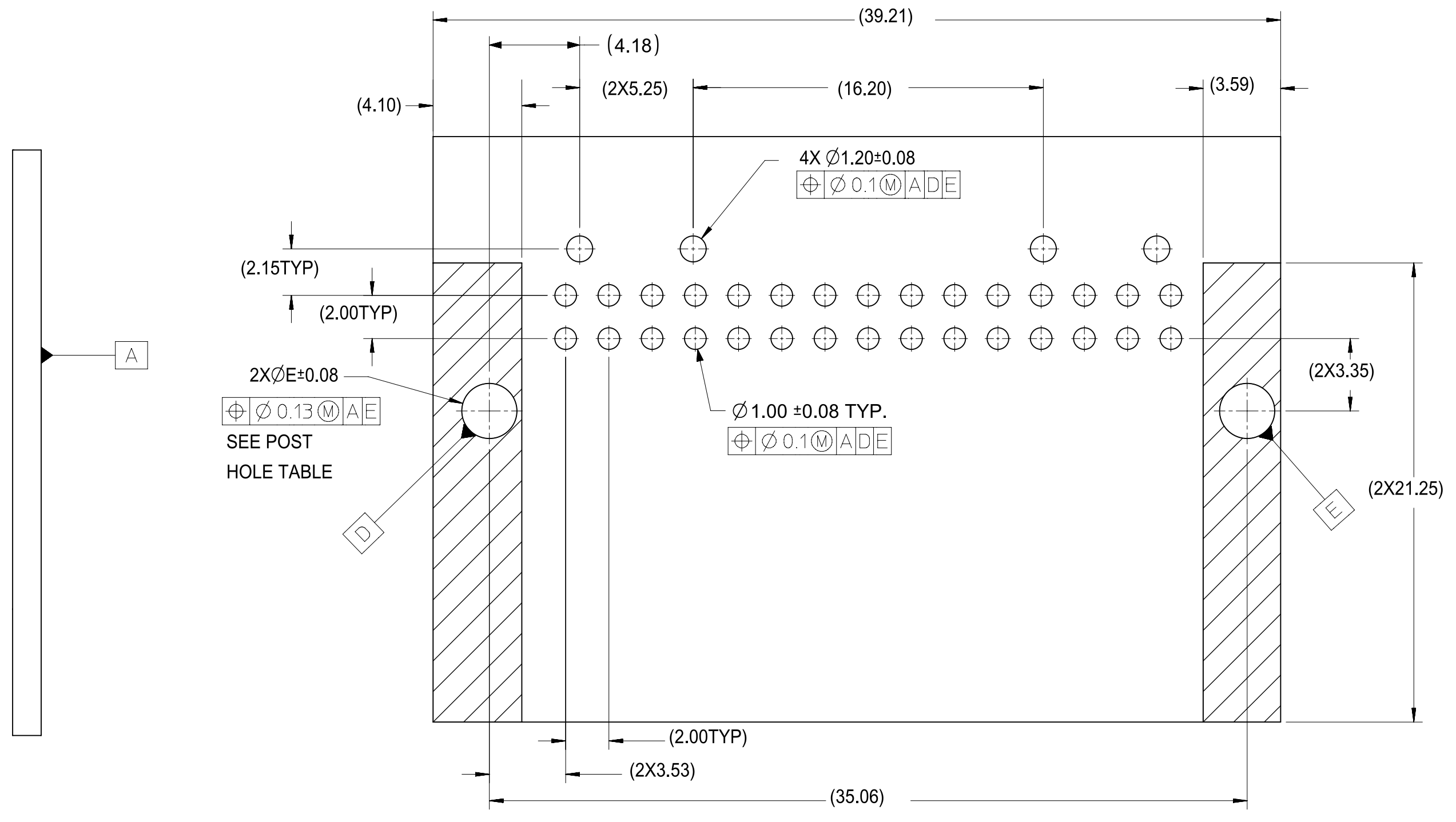
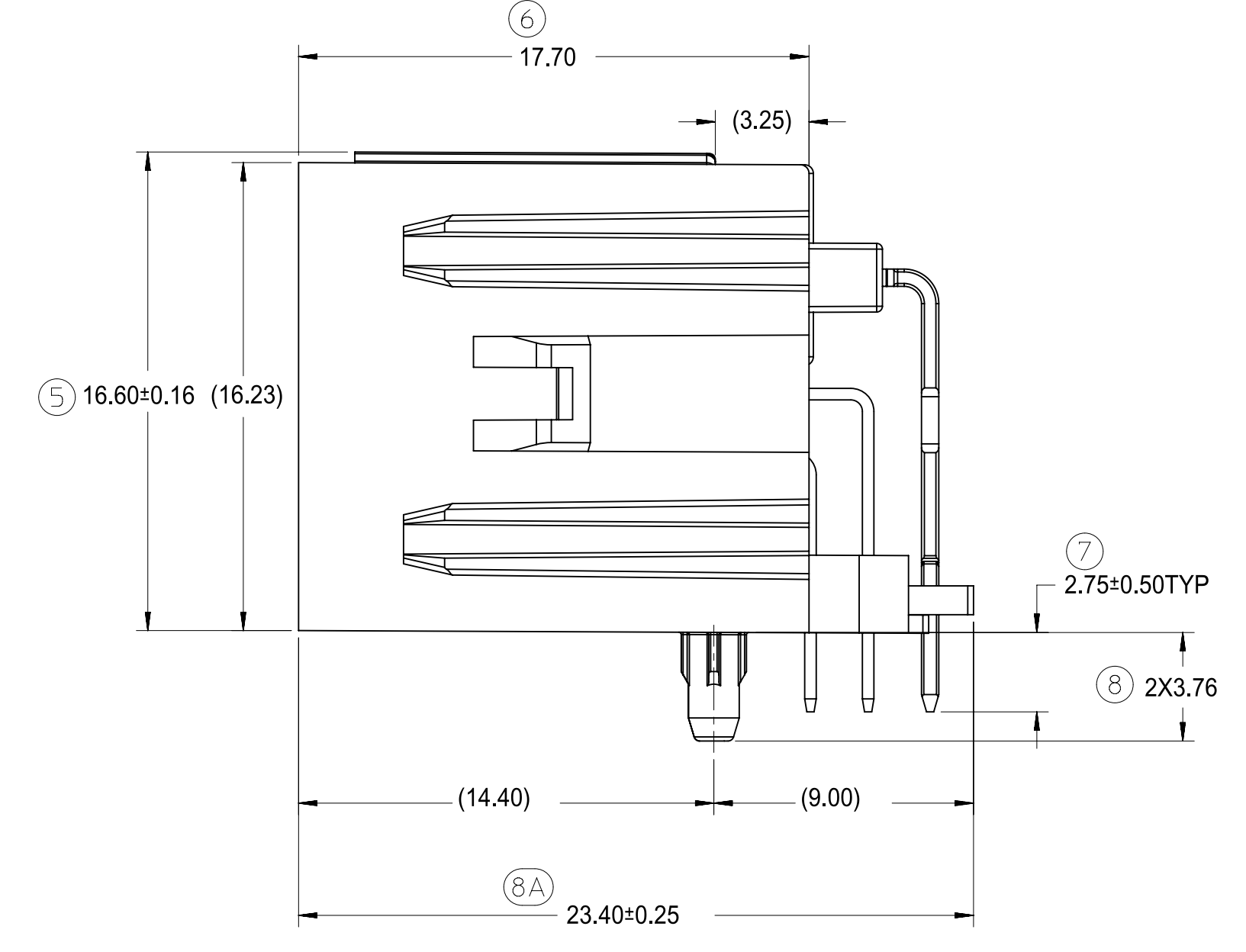
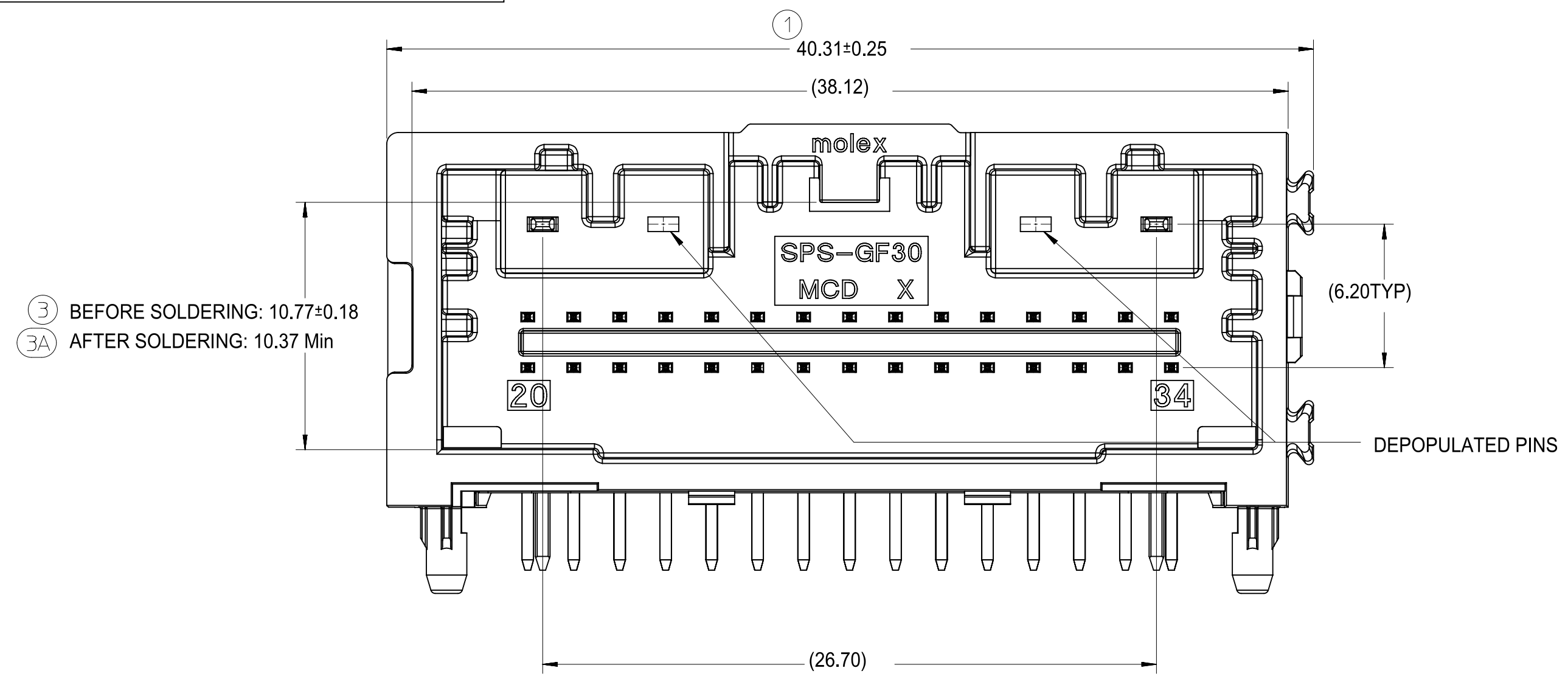
NOTES: VALID UNLESS OTHERWISE SPECIFIED

1. GENERAL:
- a. CONNECTOR HEADER MUST BE VALIDATED TO THE FOLLOWING FUNCTIONAL REQUIREMENTS:  
HB VALIDATION SPECIFICATION = GMW3191 JUNE 2012  
V0 VALIDATION SPECIFICATION = USCAR-2 REV6  
SOLDERABILITY = SMES-152
  - b. APPLICATION REQUIREMENTS:  
SEE APPLICATION SPECIFICATION = AS-34959-001  
SEE HB PRODUCT SPECIFICATION = PS-34959-001  
SEE V0 PRODUCT SPECIFICATION = 2133550000-PS  
COSMETIC SPECIFICATION: PS-45499-002 Class B  
GEOMETRIC TOLERANCING: SEE DIN 16901 TABLE  
MATES WITH: SD-34959-030  
FULL PIN HEADER SD DRAWING(FOR REFERENCE): SD-34961-030
  - c. PACKAGING SPECIFICATION: SEE PIN CONFIGURATION TABLE
2. DESIGN MATERIALS:
- a. HEADER HSG (PLASTIC HOUSING):  
HB RESIN - SPS  
V0 RESIN - SPS
  - b. PIN ALIGNMENT PLATE:  
HB RESIN - SPS  
V0 RESIN - SPS
  - c. 0.50MM BLADES:  
BASE MATERIAL: BRASS  
PLATING TYPE: AS NOTED
  - d. 1.20MM BLADES:  
BASE MATERIAL: BRASS  
PLATING TYPE: AS NOTED
3. PLATING REQUIREMENTS:
- a. UNDERPLATING - OVERALL NICKEL
  - b. OVERPLATING - OVERALL TIN

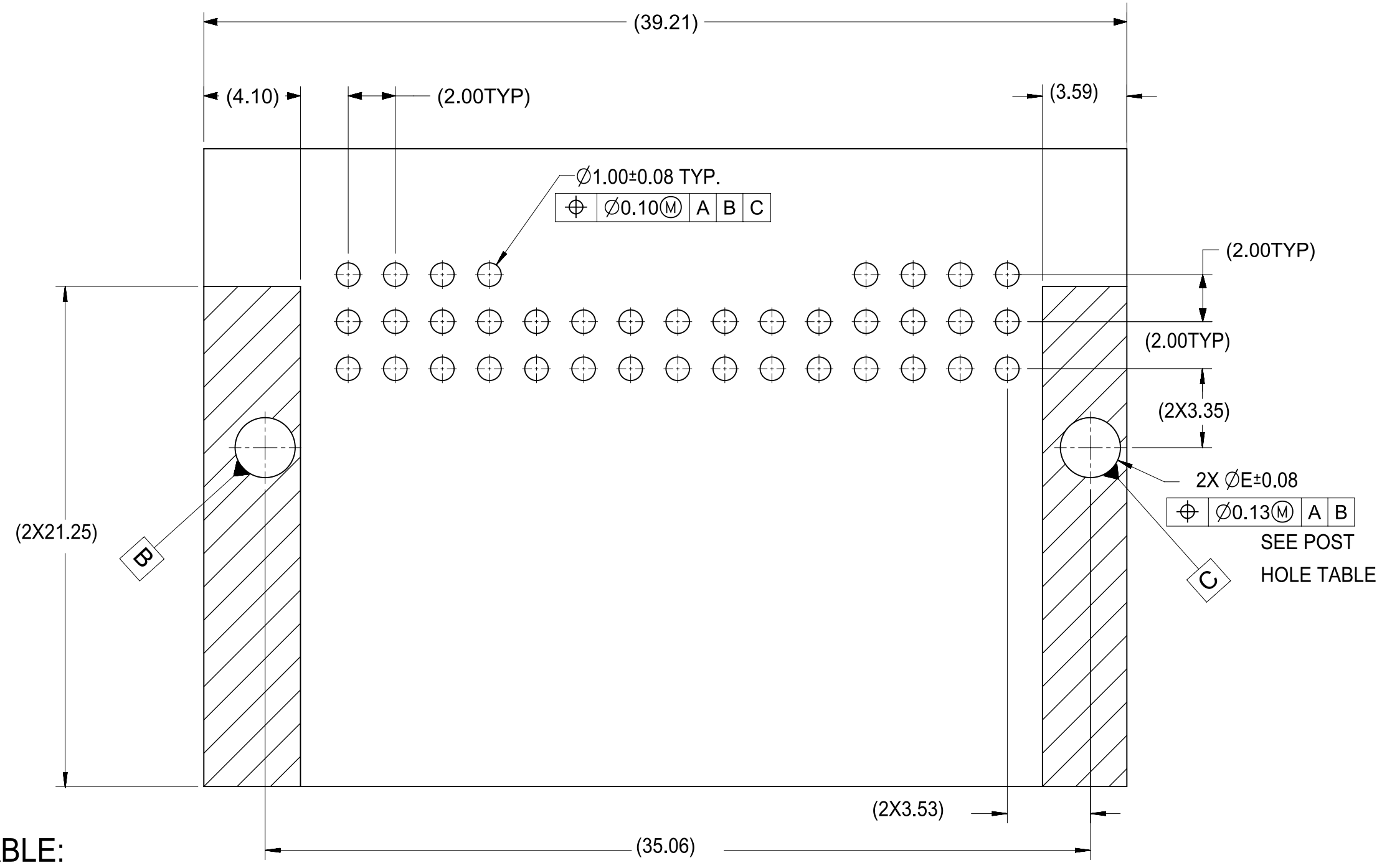
B	SHEET 2: ADDED NEW PART NUMBER IN CHART SHEET 2: UPDATE PRODUCT STATUS IN CHART SHEET 3: ADDED SHEET TO SHOW PIN INSERTION DIRECTION VIEW AND PAP HOLE SHAPE VIEW	CO-000009 10
A11	1. SHEET 1: UPDATED NOTES INFORMATION 2. SHEET 2: ADDED SHEET TO SHOW PIN CONFIGURATION TABLE 3. SHEET 2: ADDED NEW PART NUMBER 4. SHEET 4: ADDED "BEFORE SOLDERING" NOTE TO DIM 3 5. SHEET 4: ADDED DIM 3A	663659
A10	1. SHEET 1: ADDED PART NUMBER 34961-1343; 34961-9343; 34961-1344; 34961-1345 2. SHEET 1: STATUS OF 2133551341; 2133559341; 2133551342; 2133559342: WAS OK TO TOOL 3. SHEET 1: ADDED GENERAL TOLERANCE TABLE PER DIN 16961 4. SHEET 1: ADDED FULL LOADED HEADER SD DRAWING NUMBER IN NOTE_1b 5. SHEET 3: REMOVED THE BALLOON NUMBER FOR DIMENSION OF PCB LAYOUT 6. SHEET 3: DIM5 WAS 16.60	636289
A9	1. UPDATED BELOW V0 PART NUMBER STATUS TO SALEABLE IN SHEET 1: 2133551340, 2133559340 2. ADDED V0 VALIDATION SPECIFICATION AND V0 PRODUCT SPECIFICATION INFORMATION IN NOTES. 3. UPDATED V0/HB DIFFERENT FEATURE VIEWS IN SHEET 2.	631855
A8	1. ADDED NEW V0 PART NUMBER IN SHEET 1: 2133551340 / 2133551341 / 2133551342 2133559340 / 2133559341 / 2133559342 2. ADDED V0 MATERIAL INFORMATION IN NOTES 3. ADDED SHEET 2 TO SHOW THE POLARIZATION OPTION VIEW AND V0/HB DIFFERENT FEATURE VIEWS	625904
A7	ADDED NEW PART NUMBER IN SHEET 1: 34961-1382/34961-1383/34961-1384 34961-9382/34961-9383/34961-9384	613431
A6	1. ADDED NEW MINI50 38WAY PART NUMBER IN SHEET 1 2. ADDED MINI50 38WAY PCB LAYOUT IN SHEET 2 3. ADDED DIM17 & DIM18	611160
REV	REV DESCRIPTION	ECN SAP NO.

FUNCTIONAL SYMBOLS	THIS DRAWING CONTAINS INFORMATION THAT IS PROPRIETARY TO MOLEX ELECTRONIC TECHNOLOGIES, LLC AND SHOULD NOT BE USED WITHOUT WRITTEN PERMISSION		CURRENT REV DESC: REFER TO REVISION COLUMN		<b>molex</b>
	FA = 0	mm	SCALE 2:1	PHASE: Design Production	
DIVISIONAL SYMBOLS	GENERAL TOLERANCES (UNLESS SPECIFIED)		CO NO: CO-00000910		34&38CKT MINI50 DEPOPULATED PINS HEADER SALES DRAWING
	FC = 0	ANGULAR TOL ± 1.0°		DRWN: Shanks Wu 2022-04-08	
DIVISIONAL SYMBOLS	FP = 0	4 PLACES	±	CHK'D: Ringo Hu 2022-04-29	PRODUCT SALES DRAWING
		3 PLACES	±	APPR: Colin Zhang 2022-05-05	
		2 PLACES	±	INITIAL REVISION:	
		1 PLACE	±	DRWN: Shanks Wu 2022-04-25	
		0 PLACES	±	APPR: Colin Zhang 2022-05-05	DOCUMENT NUMBER
DRAFT WHERE APPLICABLE MUST REMAIN WITHIN DIMENSIONS		THIRD ANGLE PROJECTION	DRAWING D-SIZE	SERIES 34961	SD-34961-130
					DOC TYPE DOC PART REVISION
					PSD 001 B
					MATERIAL NUMBER CUSTOMER SHEET NUMBER
					GENERAL MARKET 1 OF 5

TABLE OF CONTENTS	
SHEET NO.	SHEET DESCRIPTION
5	DETAIL DIMENSION VIEW REFERENCE PCB LAYOUT



REFERENCE 34WAY PCB LAYOUT



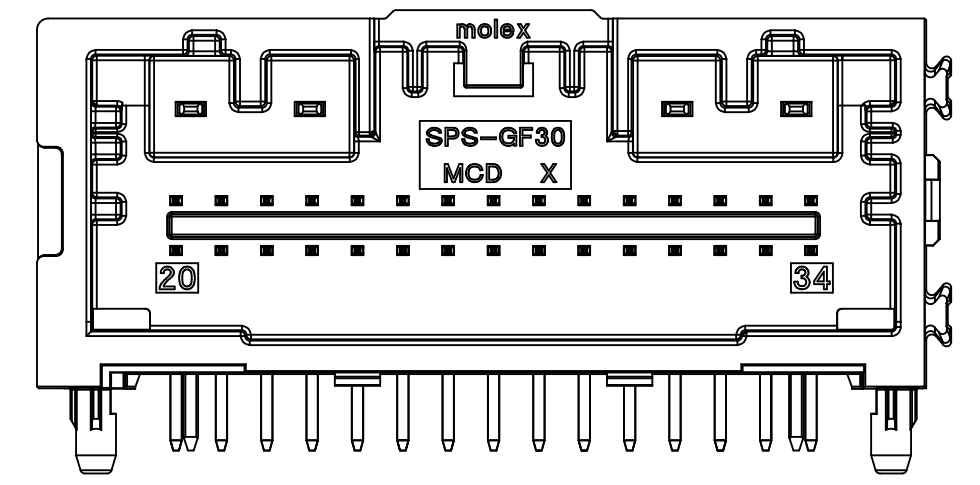
REFERENCE 38WAY PCB LAYOUT

POST HOLE TABLE:

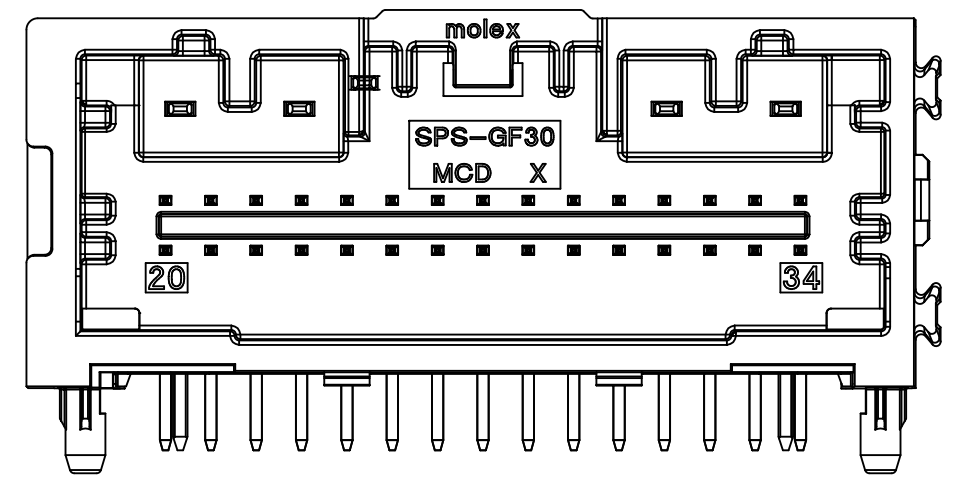
FOR DIM E:	
PRESS FIT:	2.15
DROP IN:	2.55

<b>FUNCTIONAL SYMBOLS</b> FA = 0 FE = 0 FP = 0 <b>DIVISIONAL SYMBOLS</b> 4 PLACES ± 3 PLACES ± 2 PLACES ± 1 PLACE ± 0 PLACES ± DRAFT WHERE APPLICABLE MUST REMAIN WITHIN DIMENSIONS	THIS DRAWING CONTAINS INFORMATION THAT IS PROPRIETARY TO MOLEX ELECTRONIC TECHNOLOGIES, LLC AND SHOULD NOT BE USED WITHOUT WRITTEN PERMISSION DIMENSION UNITS: <b>mm</b> SCALE: <b>3:1</b> CURRENT REV DESC: REFER TO REVISION COLUMN	<b>PHASE:</b> Design Production <b>CO NO:</b> CO-00000910 <b>DRWN:</b> Shanks Wu 2022-04-08 <b>CHK'D:</b> Ringo Hu 2022-04-29 <b>APPR:</b> Colin Zhang 2022-05-05 <b>INITIAL REVISION:</b> <b>DRWN:</b> Shanks Wu 2022-04-25 <b>APPR:</b> Colin Zhang 2022-05-05		
	GENERAL TOLERANCES (UNLESS SPECIFIED) ANGULAR TOL ± 1.0°	<b>34&amp;38CKT MINI50</b> <b>DEPOPULATED PINS HEADER SALES DRAWING</b>	<b>PRODUCT SALES DRAWING</b>	DOCUMENT NUMBER: <b>SD-34961-130</b> DOC TYPE: PSD DOC PART: 001 REVISION: <b>B</b>
	THIRD ANGLE PROJECTION	<b>D-SIZE</b> SERIES: <b>34961</b>	MATERIAL NUMBER: <b>GENERAL MARKET</b> CUSTOMER:	SHEET NUMBER: <b>5 OF 5</b>

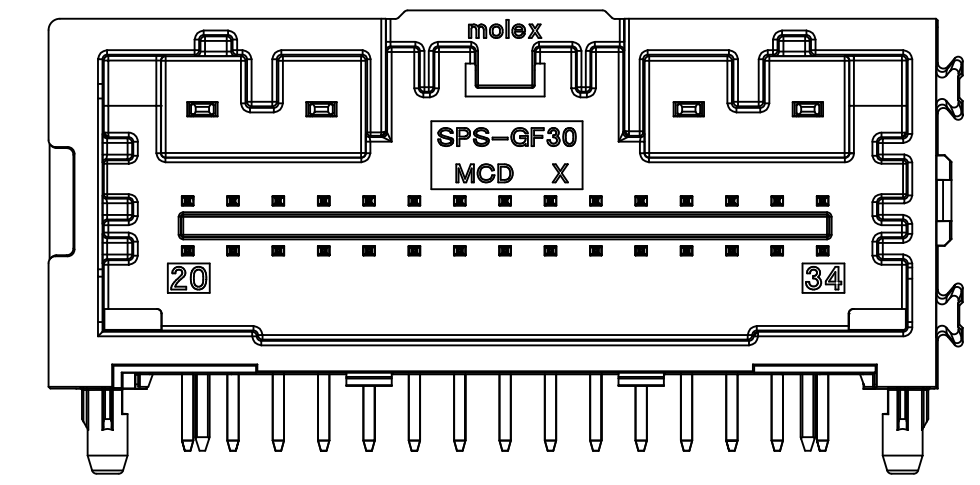
TABLE OF CONTENTS	
SHEET NO.	SHEET DESCRIPTION
3	34&38WAY POLARIZATION OPTION VIEW, HB/V0 VERSION DIFFERENCE



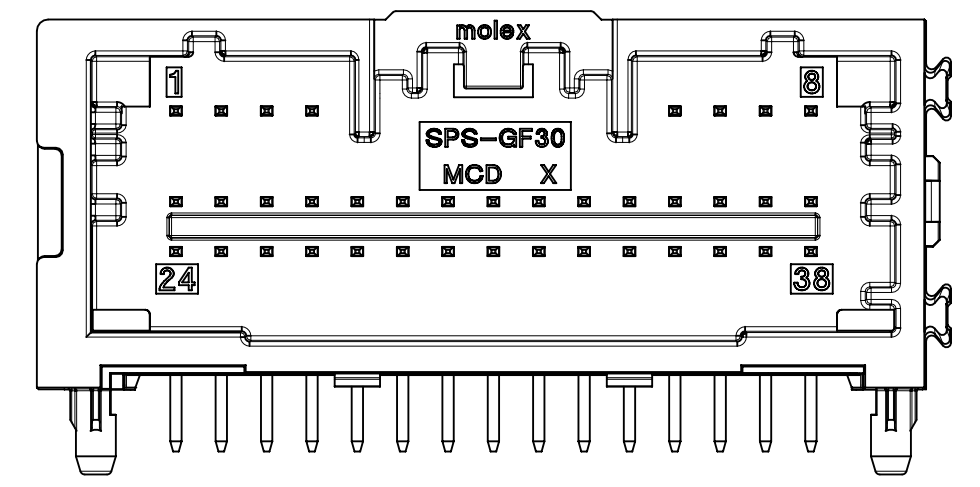
34CTK POLARIZATION OPTION 'A'



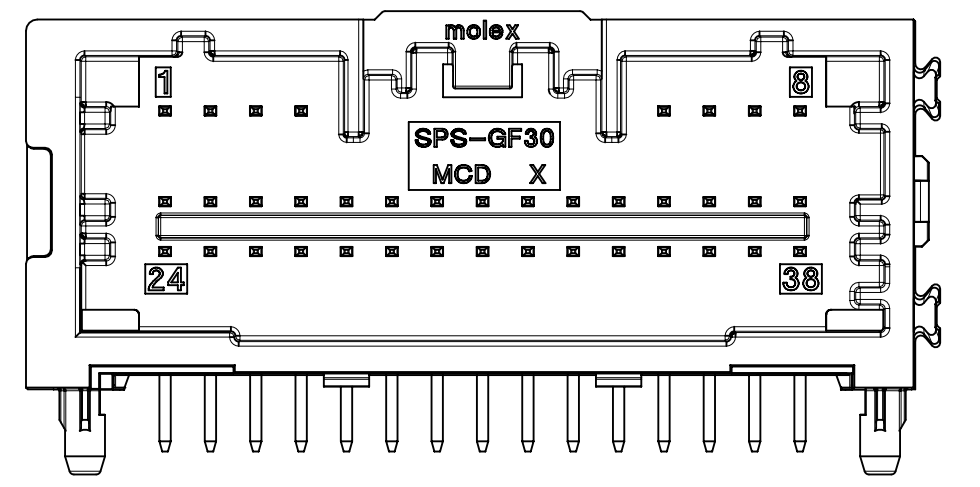
34CTK POLARIZATION OPTION 'B'



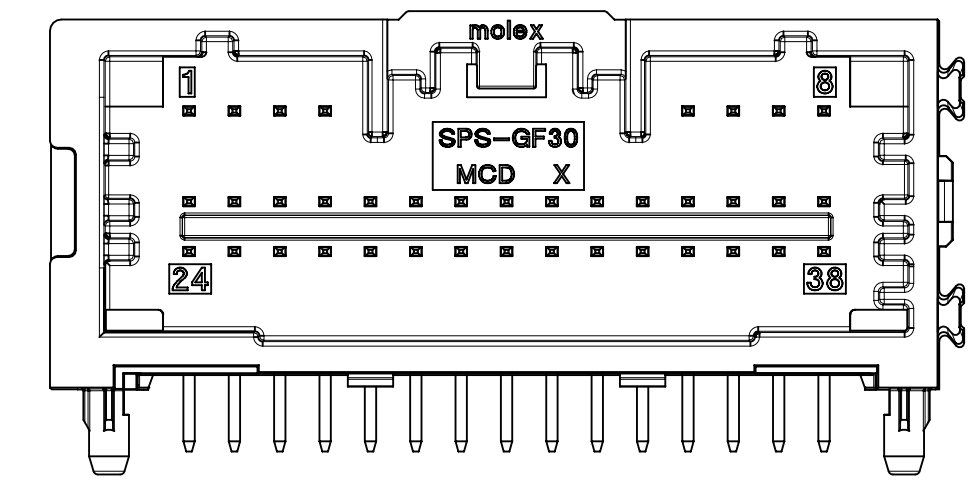
34CTK POLARIZATION OPTION 'C'



38CTK POLARIZATION OPTION UPDATED 'A'

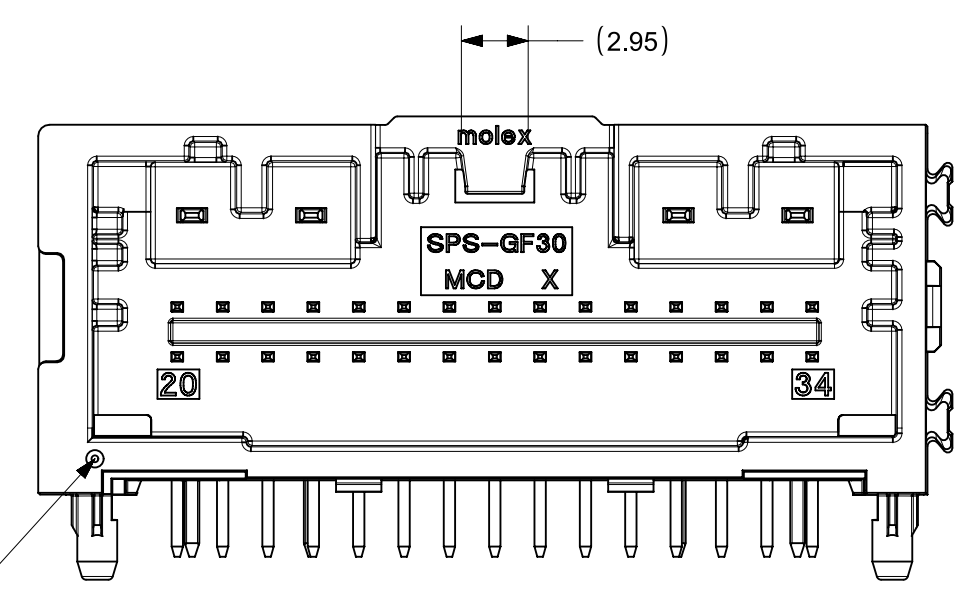


38CTK POLARIZATION OPTION UPDATED 'B'

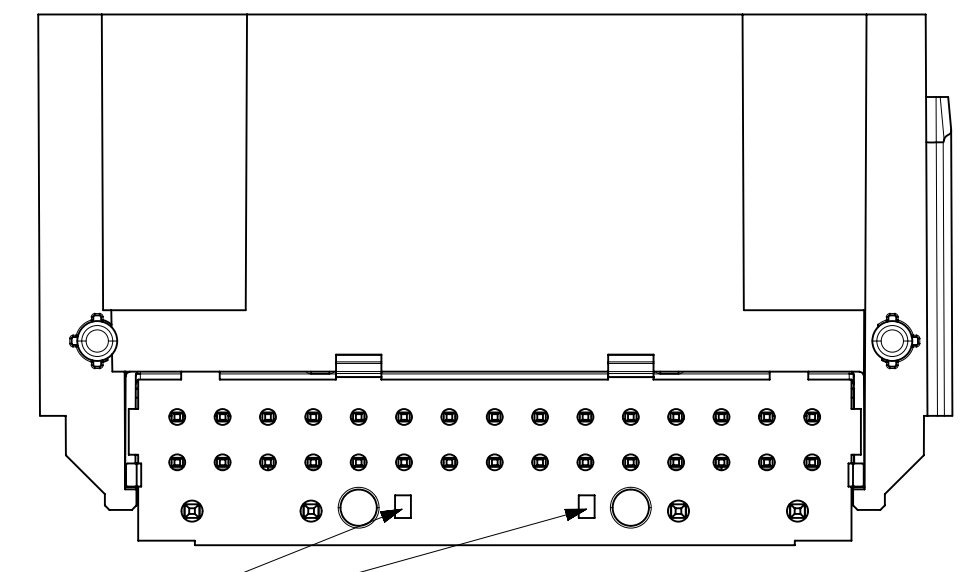
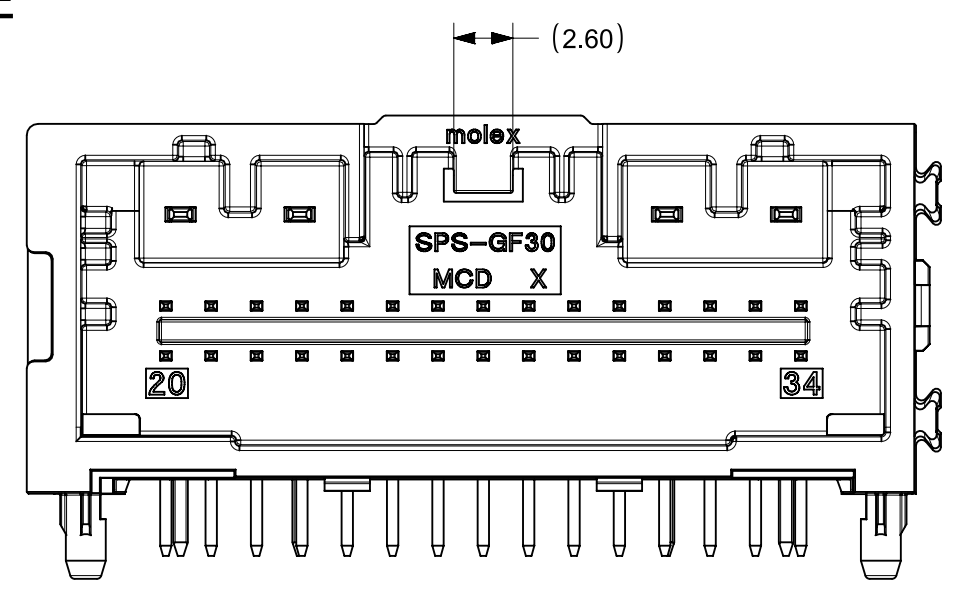


38CTK POLARIZATION OPTION UPDATED 'C'

HB / V0 VERSION DIFFERENCE

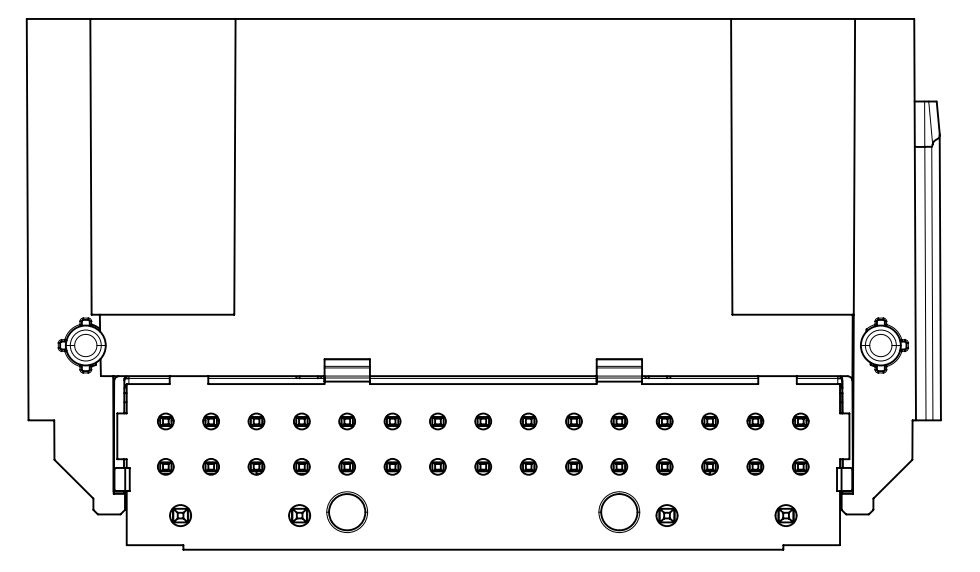


DEPRESSION FEATURE ADDED TO V0 PART TO DISTINGUISH FROM HB PART



HOLE FEATURE ADDED TO V0 PART TO DISTINGUISH FROM HB PART

V0 P/Ns: 213355XXXX  
APPLIES TO ALL CKT SIZES, USE 34CTK AS SHOWN



HB P/Ns: 34961XXXX  
APPLIES TO ALL CKT SIZES, USE 34CTK AS SHOWN

FUNCTIONAL SYMBOLS FA = 0 FE = 0 FP = 0	THIS DRAWING CONTAINS INFORMATION THAT IS PROPRIETARY TO MOLEX ELECTRONIC TECHNOLOGIES, LLC AND SHOULD NOT BE USED WITHOUT WRITTEN PERMISSION		CURRENT REV DESC: REFER TO REVISION COLUMN					
	DIMENSION UNITS <b>mm</b>	SCALE <b>3:1</b>						
DIVISIONAL SYMBOLS	GENERAL TOLERANCES (UNLESS SPECIFIED)		PHASE: Design Production					
	ANGULAR TOL ± 1.0°		CO NO: CO-000000910					
	4 PLACES ±	DRWN: Shanks Wu		2022-04-08				
	3 PLACES ±	CHK'D: Ringo Hu		2022-04-29				
	2 PLACES ±	APPR: Colin Zhang		2022-05-05				
1 PLACE ±	INITIAL REVISION:							
0 PLACES ±	DRWN: Shanks Wu		2022-04-25		SD-34961-130			
DRAFT WHERE APPLICABLE MUST REMAIN WITHIN DIMENSIONS		APPR: Colin Zhang		2022-05-05				
		THIRD ANGLE PROJECTION	DRAWING	SERIES	DOCUMENT NUMBER	DOC TYPE	DOC PART	REVISION
			<b>D-SIZE</b>	<b>34961</b>	<b>SD-34961-130</b>	<b>PSD</b>	<b>001</b>	<b>B</b>
		MATERIAL NUMBER		CUSTOMER	SHEET NUMBER			
				<b>GENERAL MARKET</b>	<b>3 OF 5</b>			

**molex**

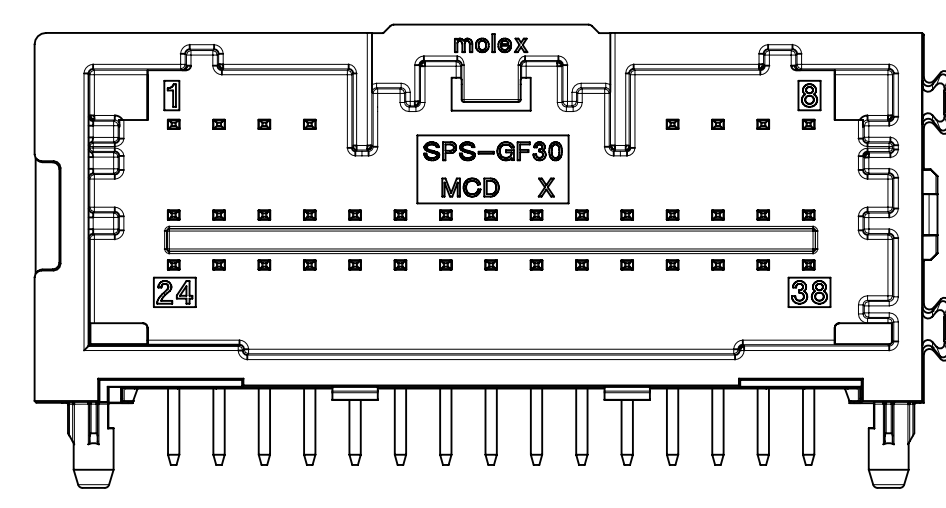
34&38CTK MINI50  
DEPOPULATED PINS HEADER SALES DRAWING

PRODUCT SALES DRAWING

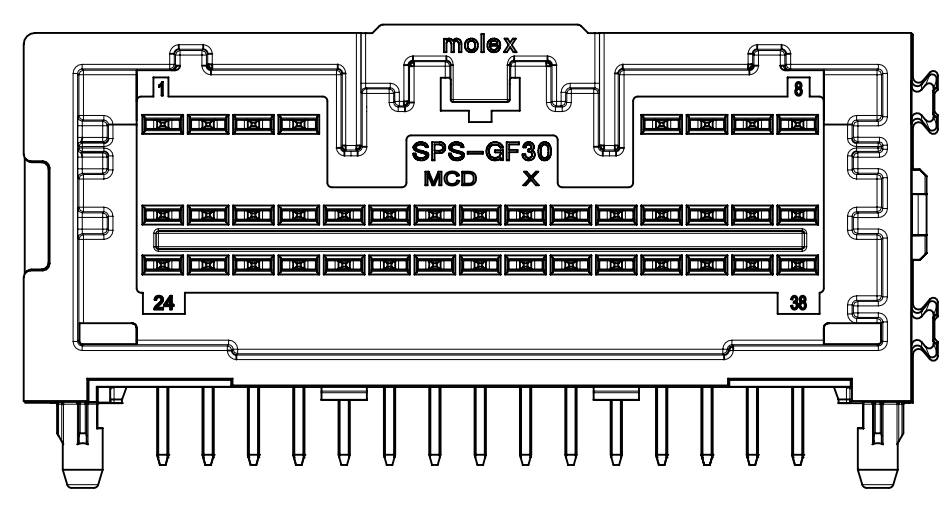


TABLE OF CONTENTS	
SHEET NO.	SHEET DESCRIPTION
4	PIN INSERTION DIRECTION VIEW PAP HOLE SHAPE VIEW

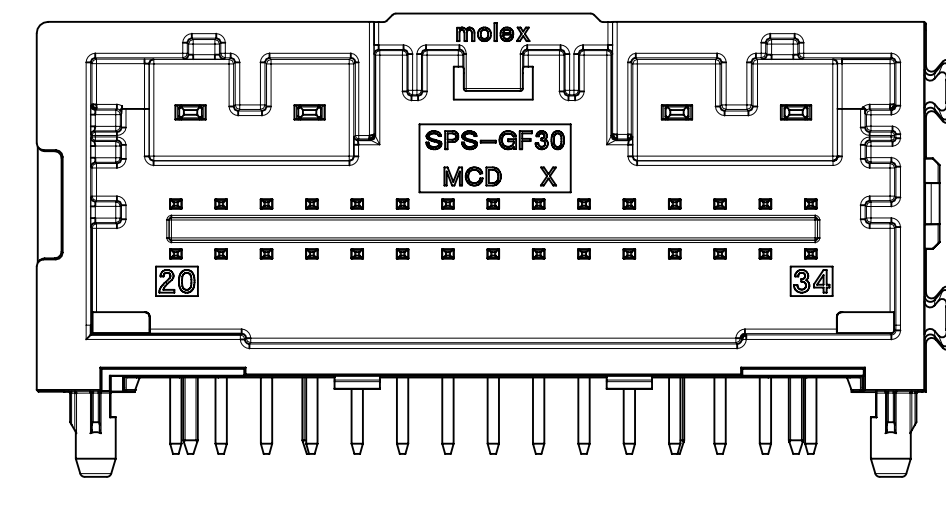
PIN INSERTION DIRECTION VIEW



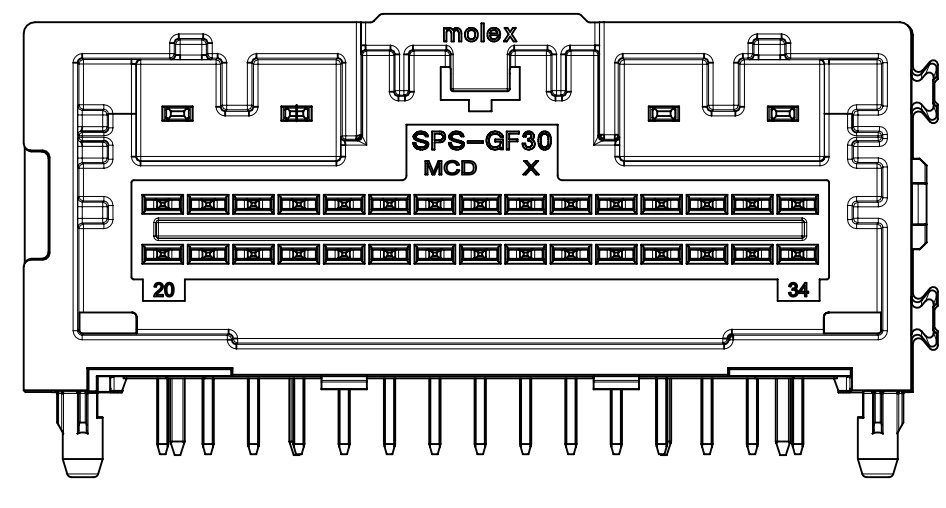
38CKT PIN INSERTION DIRECTION  
PCB SIDE TO MATING SIDE



38CKT PIN INSERTION DIRECTION  
MATING SIDE TO PCB SIDE

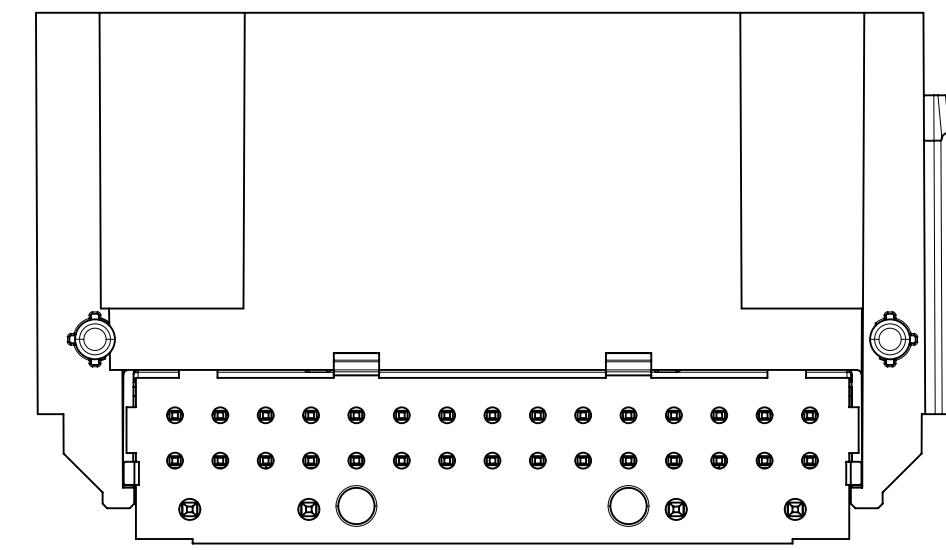


34CKT PIN INSERTION DIRECTION  
PCB SIDE TO MATING SIDE

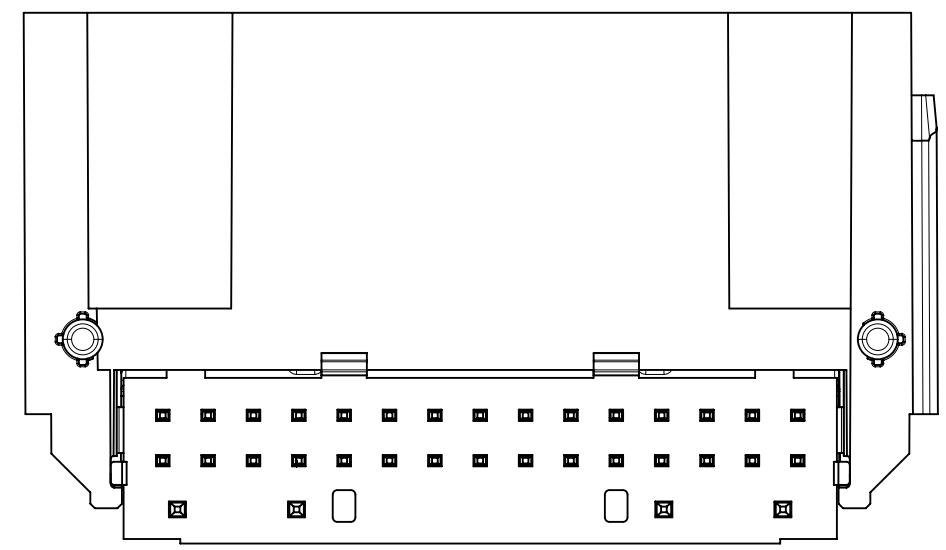


34CKT PIN INSERTION DIRECTION  
MATING SIDE TO PCB SIDE

PAP HOLE SHAPE VIEW



PAP HOLE SHAPE  
ROUND



PAP HOLE SHAPE  
SQUARE

<b>FUNCTIONAL SYMBOLS</b> $\nabla_A = 0$ $\nabla_C = 0$ $\nabla_P = 0$	THIS DRAWING CONTAINS INFORMATION THAT IS PROPRIETARY TO MOLEX ELECTRONIC TECHNOLOGIES, LLC AND SHOULD NOT BE USED WITHOUT WRITTEN PERMISSION	DIMENSION UNITS: <b>mm</b> SCALE: <b>1:1</b>	CURRENT REV DESC: REFER TO REVISION COLUMN	
	GENERAL TOLERANCES (UNLESS SPECIFIED) ANGULAR TOL $\pm 1.0^\circ$	PHASE: Design Production CO NO: CO-000000910 DRWN: Shanks Wu 2022-04-08 CHK'D: Ringo Hu 2022-04-29 APPR: Colin Zhang 2022-05-05	INITIAL REVISION: DRWN: Shanks Wu 2022-04-25 APPR: Colin Zhang 2022-05-05	
<b>DIVISIONAL SYMBOLS</b> 4 PLACES $\pm$ 3 PLACES $\pm$ 2 PLACES $\pm$ 1 PLACE $\pm$ 0 PLACES $\pm$	DRAFT WHERE APPLICABLE MUST REMAIN WITHIN DIMENSIONS	THIRD ANGLE PROJECTION	DRAWING: <b>D-SIZE</b> SERIES: <b>34961</b>	DOCUMENT NUMBER: <b>SD-34961-130</b> DOC TYPE: <b>PSD</b> DOC PART: <b>001</b> REVISION: <b>B</b>
			MATERIAL NUMBER: <b>GENERAL MARKET</b> CUSTOMER: <b>GENERAL MARKET</b>	SHEET NUMBER: <b>4 OF 5</b>