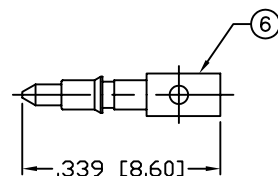
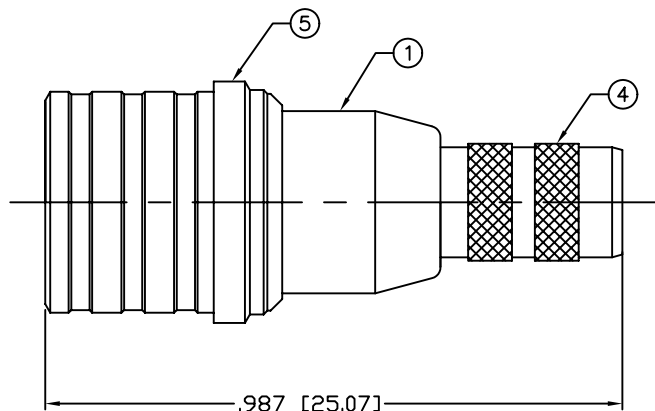


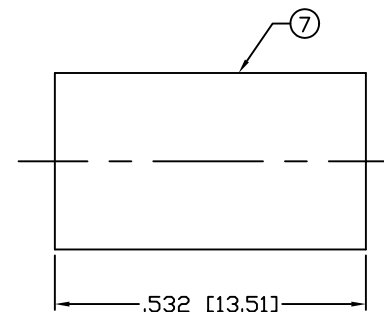
THIS DRAWING CONTAINS INFORMATION PROPRIETARY TO RF INDUSTRIES,
 ANY UNAUTHORIZED USE OF THIS DRAWING IS EXPRESSLY PROHIBITED
 WITHOUT WRITTEN PERMISSION FROM RF INDUSTRIES.
 ANY VIOLATION IS PUNISHABLE UNDER U.S. COPYRIGHT LAWS.

ALL DIMENSIONS ARE REFERENCE ONLY

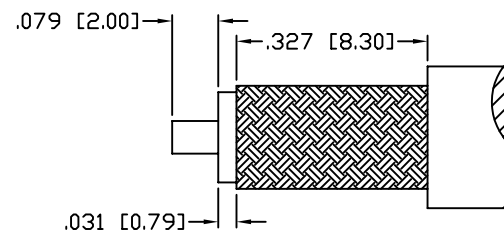
PART NO. RQA-5000-X				
REV	DESCRIPTION	DWN	DATE	APPROVED
-	ENGINEERING RELEASE	CZS	3/8/04	JDMc



RECOMMENDED SOLDER
 OPTIONAL CRIMP USING .052 DIE



USE CRIMP DIE: .255"



RECOMMENDED STRIPPING DIM'S

SPECIFICATIONS:

IMPEDANCE: 50 Ohms
 FREQUENCY RANGE: 0-6 GHz
 INSULATION RESISTANCE: 5k M Ohms min.
 TEMPERATURE RANGE: -65°C TO 165°C
 FOR RG-8/X, BELDEN 9258, MAXRAD M8X-100 &
 M8X-1000, MICRO 8/U, REMEE 1600, SAXTON 8315 &
 TIMES LMR-240 & LMR-240 ULTRAFLEX CABLE

1	BODY	1	BRASS	ALBALOY, 80μ"	008974	UNLESS OTHERWISE SPECIFIED:	
2	GROUND RING	1	WHT BRONZE	ALBALOY, 80μ"			
3	INSULATOR	1	PTFE	---			
4	FERRULE STUD	1	BRASS	ALBALOY, 80μ"			
5	SHELL	1	BRASS	ALBALOY, 80μ"			
6	PIN	1	BRASS	GOLD, 30μ"			
7	FERRULE	1	COPPER	ALBALOY, 80μ"			
8							
9							
10					DRAWN	DIMENSIONS ARE IN INCHES AND [MILLIMETERS] UNLESS OTHERWISE NOTED TOLERANCES ARE:	
11					C. ZUNIGA		DECIMALS
12					3/9/04		
13					CHECKED		
14					ORJ DRAWN		
					C. ZUNIGA	3/9/04	
#	DESCRIPTION	QTY	MATERIAL	FINISH	APPROVALS	DATE	

RF connectors
 DIVISION OF RF INDUSTRIES, LTD.

7610 MIRAMAR RD
 SAN DIEGO, CA 92126
 (858) 549-6340
 (858) 549-6345 FAX

QMA PLUG, CRIMP

SIZE	CABLE GROUP	DWG NO.	REV
A	X	RQA-5000-X	-
SCALE:	NTS	CAD FILE	OUTLINE
			SHEET 1 OF 1