



MO-100

Milliohm Meter

Users Manual

- Mode d'emploi
- Bedienungshandbuch
- Manual d'Uso
- Manual de uso
- Руководство пользователя



MO-100

Milliohm Meter

Users Manual

8/2013, Rev.2
©2013 Amprobe Test Tools.
All rights reserved. Printed in Taiwan

English

Limited Warranty and Limitation of Liability

Your Amprobe product will be free from defects in material and workmanship for 1 year from the date of purchase. This warranty does not cover fuses, disposable batteries or damage from accident, neglect, misuse, alteration, contamination, or abnormal conditions of operation or handling. Resellers are not authorized to extend any other warranty on Amprobe's behalf. To obtain service during the warranty period, return the product with proof of purchase to an authorized Amprobe Test Tools Service Center or to an Amprobe dealer or distributor. See Repair Section for details. THIS WARRANTY IS YOUR ONLY REMEDY. ALL OTHER WARRANTIES - WHETHER EXPRESS, IMPLIED OR STATUTORY - INCLUDING IMPLIED WARRANTIES OF FITNESS FOR A PARTICULAR PURPOSE OR MERCHANTABILITY, ARE HEREBY DISCLAIMED. MANUFACTURER SHALL NOT BE LIABLE FOR ANY SPECIAL, INDIRECT, INCIDENTAL OR CONSEQUENTIAL DAMAGES OR LOSSES, ARISING FROM ANY CAUSE OR THEORY. Since some states or countries do not allow the exclusion or limitation of an implied warranty or of incidental or consequential damages, this limitation of liability may not apply to you.

Repair

All test tools returned for warranty or non-warranty repair or for calibration should be accompanied by the following: your name, company's name, address, telephone number, and proof of purchase. Additionally, please include a brief description of the problem or the service requested and include the test leads with the meter. Non-warranty repair or replacement charges should be remitted in the form of a check, a money order, credit card with expiration date, or a purchase order made payable to Amprobe® Test Tools.

In-Warranty Repairs and Replacement – All Countries

Please read the warranty statement and check your battery before requesting repair. During the warranty period any defective test tool can be returned to your Amprobe® Test Tools distributor for an exchange for the same or like product. Please check the "Where to Buy" section on www.amprobe.com for a list of distributors near you. Additionally, in the United States and Canada In-Warranty repair and replacement units can also be sent to a Amprobe® Test Tools Service Center (see address below).

Non-Warranty Repairs and Replacement – US and Canada

Non-warranty repairs in the United States and Canada should be sent to a Amprobe® Test Tools Service Center. Call Amprobe® Test Tools or inquire at your point of purchase for current repair and replacement rates.

In USA

Amprobe Test Tools

Everett, WA 98203

Tel: 877-AMPROBE (267-7623)

In Canada

Amprobe Test Tools

Mississauga, ON L4Z 1X9

Tel: 905-890-7600

Non-Warranty Repairs and Replacement – Europe

European non-warranty units can be replaced by your Amprobe® Test Tools distributor for a nominal charge. Please check the "Where to Buy" section on www.amprobe.com for a list of distributors near you.

European Correspondence Address*

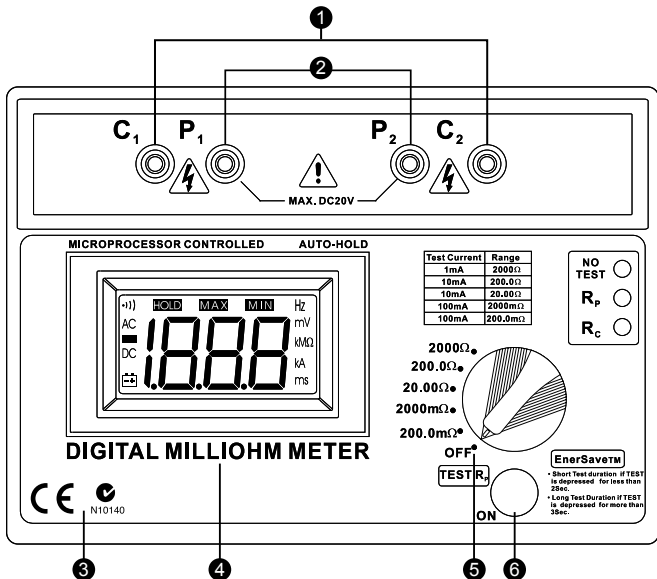
Amprobe® Test Tools Europe

In den Engematten 14

79286 Glottertal, Germany

Tel.: +49 (0) 7684 8009 - 0

*(Correspondence only – no repair or replacement available from this address. European customers please contact your distributor.)



- 1** Current Injection Terminals **2** Potential Injection Terminals
3 Meet LVD & EMC requirement **4** Liquid Crystal Display
5 Rotary Selector Switch **6** Start / Stop Test

NO TEST <input type="radio"/>	Over Temperature indicator. Lit = Over-temperature or test stopped.
R _P <input type="radio"/>	Resistance between the current leads too high (fuse!).
R _C <input type="radio"/>	Resistance between the potential leads too high.







⚠ CAUTION!

If "NO TEST" LED lit, the current source is stopped.

CONTENTS

SYMBOLS	2
CAUTIONS AND PRECAUTIONS	2
UNPACKING AND INSPECTION	3
INTRODUCTION	4
OPERATION	6
Preparation For Use	6
Check the Battery	6
Check the Current Regulation	6
Check the Voltage Measurement	6
Measuring	7
Test Leads	8
Supplied Potential Test Leads	8
Supplied Current Test Leads	8
Thermal Effects	9
SPECIFICATION	10
Electrical	10
Mechanical	10
Rated environmental conditions	11
MAINTENANCE AND REPAIR	12
Battery Replacement	12
Fuses Replacement	13

SYMBOLS

	Caution ! Refer to the explanation in this Manual
	Caution, Risk of Electric Shock
	Please remove all the test leads before performing maintenance, cleaning, battery replacement, fuse replacement, etc
	Conforms to relevant Australian standards
	Complies with European Directives
	Do not dispose of this clamp meter as unsorted municipal waste. Contact a qualified recycler for disposal.

⚠ WARNING!

Do not operate this instrument in the presence of gasoline, natural gas, propane, or in other combustible atmospheres.

CAUTIONS AND PRECAUTIONS

Refer to this manual before using the meter

- This instrument should only be used by a competent, suitably trained person which fully understand the test & measurement procedure.
- Read the User's manual carefully and completely before using the instrument. Fully understand the instructions before using this product. Follow the instructions for every test. Take all the necessary precautions. Do not exceed the limits of this instrument.
- The tested circuit must be de-energised and isolated before connections are made to it.
- Do not use test leads, probes or crocodiles/alligators clips that are dirty, damaged or have broken or cracked insulation. Such accessories should be removed and repaired Immediately.
- Always disconnect the test leads before replacing any fuse or battery.
- Always replace the fuse with same type and rating; ensure that they are correctly fitted on fuse terminals.
- Double check the switch settings and leads connections before measuring. Make a sketch to ensure proper operation and principle of measurement is correct and well understood.
- Do not touch any exposed wiring, connections or other "live" parts of an electrical circuit. If in doubt, check the circuit first for voltage before touching it.

Precautions

- Always ensure that the circuit to be measured is switched "OFF", isolated and completely de-energized before connecting the test leads.
- If it is probable that the instrument's protection has been impaired due to electrical, mechanical or environmental damage, it must not be used. It should be returned to your nearest distributor or agent for checking and repair.
- To prevent damage to the liquid crystal display, the minimum storage temperature of -20°C must be observed. It should also be noted that below 0°C the operation of the LCD will be sluggish

⚠ Warning, risk of electric shock.

UNPACKING AND INSPECTION

Your shipping carton should include:

- 1 MO-100 Milliohm Meter
- 1 Shoulder Belt
- 1 Test Lead (Green Color)
- 1 Test Lead (Red Color)
- 1 Test Lead (Blue Color)
- 1 Test Lead (Black Color)
- 8 Alkaline Battery (SIZE AA, 1.5V)
- 1 Spare Fuse (0.5A/ 250V)
- 1 User's Manual

If any of the items are damaged or missing, return the complete package to the place of purchase for an exchange.

INTRODUCTION

- The Milliohm Meter is a battery operated instrument which supply a low current to the circuit under test, with which, stable, accurate measurement of low resistance can be made, still, over a wide range of values.
- Resolution on the lowest range is 100μ ohm and on the highest range, 1 ohm.
- The meter has 5 measuring ranges, from 200.0 milli-ohm to 2000 ohms
- Measurements are displayed on a $3\frac{1}{2}$ digit custom liquid crystal display with large digits.
- This instrument is powered from batteries only (alkaline or rechargeable equivalent).
- It has a regulated DC constant current source with current of 1mA 10mA and 100mA.
- The instrument supply that current to the resistance being measured through the C1 and C2 terminals (C1 being +, C2 being -).
- The voltage drop across the resistance under test is measured by the potential terminals P1 and P2 (P1 being +, P2 being -).
- Should the current regulation drops out, the Rc LED will lit, indicating that the resistance in the current circuit is too high. (Lowering the current by selecting a higher resistance range can solve the regulation.)
- Should the Rp LED lit, that mean that the voltage measured on the resistance is too high, and therefore over-range.
- The resistance is measured precisely when the RP and RC LEDs do not lit. If anyone of these leds lit, then the measurement can be inaccurate.
- The meter has a built-in custom $3\frac{1}{2}$ digit liquid crystal display can be viewed in most lightning conditions. This display indicates the differences conditions (Hold, m, buzzer, polarity condition of load, + or -, automatic decimal point change).
- The instrument takes measurements for 10 seconds if the "ON" "TEST Re button is depressed for less than 2 seconds. If the same push button is pressed for more than 3 seconds, the test will carry on for 60 seconds.
- The tester switch "OFF" completely when the rotary switch is in the "OFF" position.
- The tester "Hold" the last reading before stopping the test.
- The tester is fuse protected and has a crowbar between C1 and C2.

-
- This crowbar is activated by voltage. If the voltage is too high, that crowbar will blow the fuse automatically to interrupt the circuit.
 - The voltage between P1 and P2 is also protected for over voltage but does not have a fuse.
 - The tester has a temperature shut down. The temperature sensing is done on the current regulation transistor.
 - Should this over-temperature LED lit, allow the instrument to cool down for a while before proceeding further.
 - The milliohm meter, with its measuring range of 100u ohms to 2000 ohms, is suitable for a wide range of applications such as:
 1. Measuring the winding resistance of electric motors, generators and transformers.
 2. Bond testing in mines, aircraft, railways, ships, domestic and industrial wiring installations.
 3. Measuring the ring main continuity testing in industrial and domestic wiring installations
 4. Measuring resistance in electronic equipment such as shunts, pcb tracks, switch and relay resistance.
 5. Checking compression joints on overheads lines.
 6. Testing and maintenance of switchboard /sub-station equipment on such items as fuses, joints, contacts and bonds.

OPERATION

Preparation For Use

When unpacked, the tester should be inspected for any visible signs of damage, and the preliminary checks described in the user's manual should be performed to ensure that it is operating correctly. If there is any sign of damage, or if the instrument does not operate correctly, return it to your nearest supplier.

Check the Battery

If the battery symbol is shown on the LCD, then replace the batteries with new alkalines batteries before proceeding.

Check the Current Regulation

- Connect the current leads to C1 and C2.
- Select a range, and short the current test leads. The RC led should go off, indicating that the current regulation is ok.

Check the Voltage Measurement

- Connect the potential leads to P1 and P2.
- Short the P1 and P2. The display should indicate 0000.
- Remove the short from P1 and P2 and C1 and C2. Touching the potential test leads P1 to C1 and P2 to C2, the RP led should lit, indicating an over-voltage or over-range.

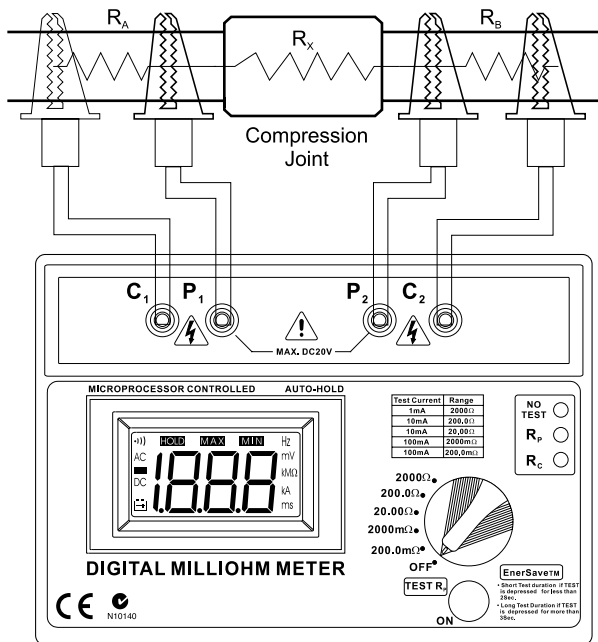
This proving test can be repeated on all the ranges if need be.

You can also check the polarity indication of the milli-voltmeter by touching the potential test leads P1 to C2 and P2 to C1, the RP LED should lit, indicating an over-voltage or over-range. The - indicator should be indicating - on the LCD, showing the polarity change.

Total check can be done by shorting all the test leads together C1, C2, P1, P2. The display should indicate close to 0000 (depending of the crocodiles clips used and how they are shorted). Both RC and RP LED should be OFF, indicating that everything work ok.

Measuring

- Perform the preliminary checks before proceeding with measurement and ensure that the precautions listed are observed.
- Connect the test leads (color coded) to the instrument as shown.
- The current test leads must always be outside of the potential test leads.
- Please note that the shorter the potential test leads, the better long potential test leads will pick up noise.
- Screened test leads are recommended for better environmental noise rejection.



Test Leads

The test leads supplied with the instrument are suitable for connecting to conductors up to 17mm in diameter or bus bars 17mm tick. There will be, instances where the item being measured require larger jaws, and the user is advised to make up his own leads. There will be occasions when longer leads are required due to the geometry of the item being tested. Some guidance notes should as sit in the assembly of such leads:

- Length of the potential leads should be as short as possible.
- Insulated 16/0.2mm, tinned copper wire is recommended.
- The two potential leads should have the same length to minimize inaccuracies due to unbalance.

Supplied Potential Test Leads

- P1+ test lead is of Red color, shrouded, 4mm safety plug which at one end have a crocodile (alligator) clip for connection to the resistance to be measured. The other end plugs into the meter (4mm shrouded) color coded sockets.
- P2 - test lead is of Blue color, shrouded, 4mm safety plug which at one end have a crocodile (alligator) clip for connection to theresistance to be measured. The other end plugs into the meter (4mm shrouded) color coded sockets

Supplied Current Test Leads

- C1+ test lead is of Green color, shrouded, 4mm safety plug which at one end have a crocodile (alligator) clip for connection to the resistance to be measured. The other end plugs into the meter (4mm shrouded) color coded sockets.
- C2 - test lead is of Black color, shrouded, 4mm safety plug which at one end have a crocodile (alligator) clip for connection to the resistance to be measured. The other end plugs into the meter (4mm shrouded) color coded sockets.

Thermal Effects

- Temperature can have a significant effect on the performance of a milliohm meter due to the temperature coefficient of the resistance under test and thermal EMF's across the dissimilar conductors.
- Most conductors have a large temperature coefficient of resistance. For example: 0.4%/°C for copper. A copper conductor that has a resistance of 10.00m ohm at 20°C will increase to 10.40m ohm at 30°C. This change should be taken into account when making measurements.
- A current going through a resistance will also elevate its temperature. So duration of the test can change the resistance.
- When measuring the resistance of item, such as current shunts, which have joints of dissimilar conductors, thermal EMF can affect the accuracy of the measurement. This condition can be detected if the reading alters when the leads are reversed. To compensate for this effect, the average of the two readings should be taken as the true measurement.

SPECIFICATION

Electrical

Measuring Ranges :

0 - 200.0m ohms in steps of 100 μ ohm

0 - 2000m ohms in steps of 1m ohm

0 - 20.00 ohms in steps of 10m ohm

0 - 200.0 ohms in steps of 100m ohm

0 - 2000 ohms in steps of 1 ohm

Accuracy :

$\pm 0.5\%$ of reading ± 2 digits over the
Operating temperature range, -15°C to
 $+55^{\circ}\text{C}$, with the supplied test leads.

Test Current :

1mA \Rightarrow 2000 ohms range.

10mA \Rightarrow 200 / 20 ohms ranges.

100mA \Rightarrow 2000m / 200m ohms ranges

Test Current Accuracy : $\pm 0.1\%$

Protection Fuses :

Supply = 0.5 A, HBC, 5 x 20mm, DIN

Current = 0.5 A, HBC, 5 x 20mm, DIN

Voltage = 0.5 A, HBC, 5 x 20mm, DIN

Safety : Complied with CE regulation

Mechanical

Case Size : 110mm (H) X 250mm (W) X 190mm (D)

Drop Test : IEC 61010-1, clause 8.3

Impact Test : IEC 61010-1, Clause 8.2.2

Weight : 1.542kg

Rated Environmental Conditions

1. Indoor Use
2. Pollution Degree 2
3. Altitude up to 2000 meter
4. Relative humidity 80% max
5. Ambient temperature 0°C ~ 40°C



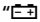
LVD: Conforms to EN61010-1:2010; EN61010-2-030:2010.

EMC: Conforms to EN61326-1:2006.

This product complies with requirements of the following European Community Directives: 2004/108/EC (Electromagnetic Compatibility) and 2006/95/EC (Low Voltage Directive) (CE Marking). However, electrical noise or intense electromagnetic fields in the vicinity of the equipment may disturb the measurement circuit. Measuring instruments will also respond to unwanted signals that may be present within the measurement circuit. Users should exercise care and take appropriate precautions to avoid misleading results when making measurements in the presence of electronic interference.

MAINTENANCE AND REPAIR

If there appears to be a malfunction during the operation of the meter, the following steps should be performed in order to isolate the cause of the problem.

1. Check the battery. Replace the battery immediately when the symbol “” appears on the LCD.
2. Review the operating instructions for possible mistakes in operating procedure.

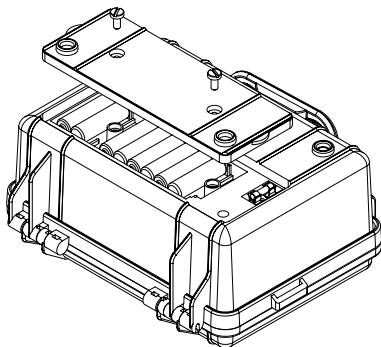
Except for the replacement of the battery, repair of the meter should be performed only by a Factory Authorized Service Center or by other qualified instrument service personnel.

The front panel and case can be cleaned with a mild solution of detergent and water.

Apply sparingly with a soft cloth and allow to dry completely before using. Do not use aromatic hydrocarbons, Gasoline or chlorinated solvents for cleaning.

BATTERY REPLACEMENT

1. Disconnect the test leads from the instrument and remove the battery cover and the batteries.
2. The tester's battery is situated under the tester.
3. Replace with eight 1.5V AA light batteries, taking care to observe correct polarity. (Alkaline batteries are recommended.)
4. Reinstall battery holder and the battery cover.



FUSES REPLACEMENT

The maximum continuous voltage which can be applied across the potential and current leads is around 10.7V. Applying more than that voltage will automatically blow their respective fuses.

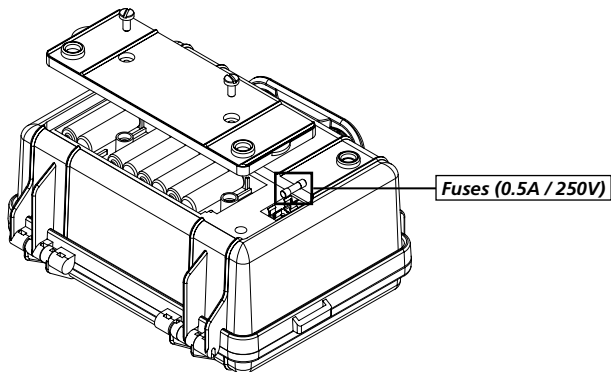
However, the crowbar trigger can be factory adjusted for your application.

We have specially selected that method to stop damaging the instrument, should it be misused

There are three fuses:

- **Power Supply Fuse**

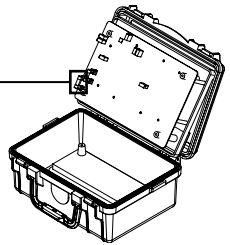
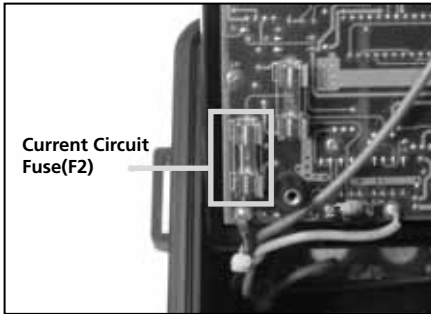
The power supply fuse is situated under the tester. Open the battery compartment, and replace the fuse with the same type (0.5 A, >24V, Slow Blow)



- **Current Circuit Fuse**

Fuse protection is provided on the current terminals. This fuse is situated under the Printed Circuit Board. To access it, you need to unscrew the four mounting screws which are holding the front panel. Two of these screws are located under the foots, and the two others are located inside the battery compartment.

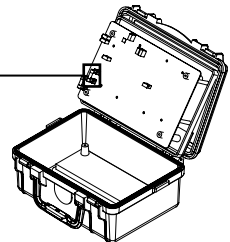
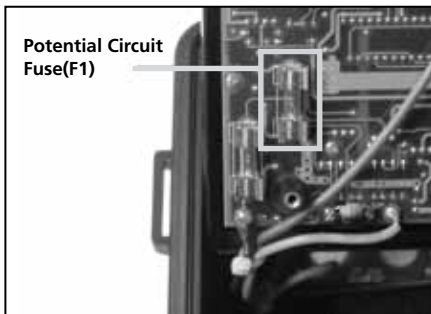
The fuse is automatically blown by the crowbar, should voltage be present on the resistance under test. This is to prevent damage to the instrument. It is indicative of this fuse being blown is the RC Led stays "on". (HBC, 0.5 A, 250Vac, Slow Blow)



- **Potential Circuit Fuse**

Fuse protection is provided on the potential terminals. This fuse is situated under the Printed Circuit Board. To access it, you need to unscrew the four mounting screws which are holding the front panel. Two of these screws are located under the feet, and the two others are located inside the battery compartment.

The fuse is automatically blown by the crowbar, should voltage be present on the resistance under test. This is to prevent damage to the instrument. If the preliminary tests does not lit R P this is indicative of this fuse being blown. (HBC, 0.5A, 250Vac, Slow Blow)





MO-100

Milliohmmètre

Mode d'emploi

Limites de garantie et de responsabilité

Amprobe garantit l'absence de vices de matériaux et de fabrication de ce produit pendant une période d'un an prenant effet à la date d'achat. Cette garantie ne s'applique pas aux fusibles, aux piles jetables ni à tout produit mal utilisé, modifié, contaminé, négligé ou endommagé par accident ou soumis à des conditions anormales d'utilisation et de manipulation. Les revendeurs n'ont pas l'autorisation de prolonger toute autre garantie au nom d'Amprobe. Pour bénéficier de la garantie, renvoyez le produit accompagné d'un justificatif d'achat auprès d'un centre de services agréé par Amprobe Test Tools ou d'un distributeur ou d'un revendeur Amprobe. Voir la section Réparation pour tous les détails. LA PRESENTE GARANTIE EST LE SEUL ET EXCLUSIF RECOURS DE L'UTILISATEUR TOUTES AUTRES GARANTIES, EXPLICITES, IMPLICITES OU STATUTAIRE, NOTAMMENT LES GARANTIES DE QUALITE MARCHANDE OU D'ADAPTATION A UN OBJECTIF PARTICULIER SONT EXCLUES PAR LES PRESENTES. LE FABRICANT NE SERA EN AUCUN CAS TENU RESPONSABLE DE DOMMAGES PARTICULIERS, INDIRECTS, ACCIDENTELS OU CONSECUTIFS, NI D'AUCUNS DEGATS OU PERTES DE DONNEES, SUR UNE BASE CONTRACTUELLE, EXTRA-CONTRACTUELLE OU AUTRE. Etant donné que certaines juridictions n'admettent pas les limitations d'une condition de garantie implicite ou l'exclusion ou la limitation de dégâts accidentels ou consécutifs, il se peut que les limitations et les exclusions de cette garantie ne s'appliquent pas à votre cas.

Réparation

Tous les outils de test renvoyés pour être réparés au titre de la garantie doivent être accompagnés des éléments suivants : nom, raison sociale, adresse, numéro de téléphone et justificatif d'achat. Ajoutez également une brève description du problème ou du service demandé et incluez les cordons de test avec l'appareil. Les frais de remplacement ou de réparation hors garantie doivent être acquittés par chèque, mandat, carte de crédit avec date d'expiration, ou par bon de commande payable à l'ordre de Amprobe® Test Tools.

Remplacements et réparations sous garantie – Tous pays

Veillez lire la déclaration de garantie et vérifiez la pile avant de demander une réparation. Pendant la période de garantie, tout outil de test défectueux peut être renvoyé auprès de votre distributeur Amprobe® Test Tools pour être échangé contre un produit identique ou similaire. Consultez la section « Where to Buy » sur le site www.amprobe.com pour obtenir la liste des distributeurs dans votre région. Les appareils sous garantie devant être remplacés ou réparés au Canada et aux Etats-Unis peuvent également être envoyés dans un centre de services Amprobe® Test Tools (voir les adresses ci-dessous).

Remplacements et réparations hors garantie – Canada et Etats-Unis

Les appareils à réparer hors garantie au Canada et aux Etats-Unis doivent être envoyés dans un centre de services Amprobe® Test Tools. Appelez Amprobe® Test Tools ou renseignez-vous auprès de votre lieu d'achat pour connaître les tarifs en vigueur de remplacement ou de réparation.

Aux Etats-Unis	Canada
Amprobe Test Tools	Amprobe Test Tools
Everett, WA 98203	Mississauga, ON L4Z 1X9
Tél. : 877-AMPROBE (267-7623)	Tél. : 905-890-7600

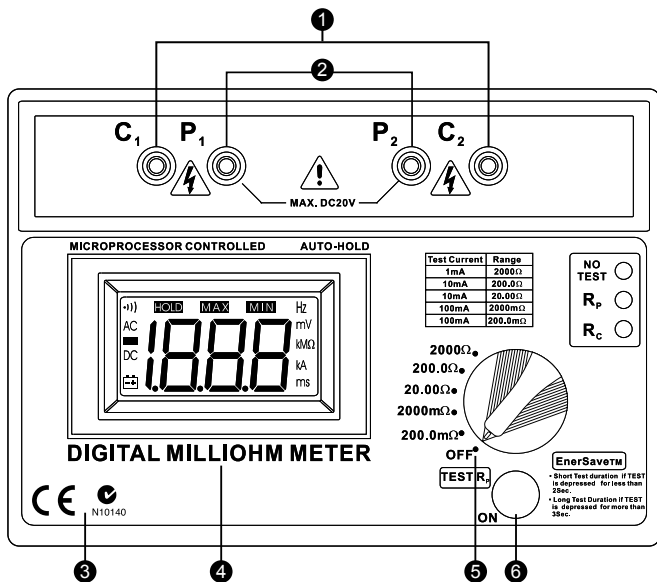
Remplacements et réparations hors garantie – Europe

Les appareils européens non couverts par la garantie peuvent être remplacés par votre distributeur Amprobe® Test Tools pour une somme nominale. Consultez la section « Where to Buy » sur le site www.amprobe.com pour obtenir la liste des distributeurs dans votre région.

Adresse postale européenne*

Amprobe® Test Tools Europe
In den Engematten 14
79286 Glottertal, Allemagne
Tél. : +49 (0) 7684 8009-0

*(Réservée à la correspondance – Aucune réparation ou remplacement n'est possible à cette adresse. Nos clients européens doivent contacter leur distributeur.)



❶ Bornes d'injection en courant

❷ Bornes d'injection du potentiel

❸ Conforme aux caractéristiques LVD et CEM

❹ Ecran à cristaux liquides

❺ Sélecteur rotatif

❻ Démarrage / Arrêt du test

NO TEST

Indicateur de dépassement en température. Allumé = Dépassement du calibre de température ou arrêt du test.

R_p

La résistance entre les cordons de courant est trop élevée (fusible !).

R_c

La résistance entre les cordons de potentiel est trop élevée.







⚠ ATTENTION !

Si le message « NO TEST » est allumé, la source de courant est arrêtée.

TABLE DES MATIERES

SYMBOLES	2
CAUTIONS ET PRECAUTIONS	2
DEBALLAGE ET INSPECTION	3
INTRODUCTION	4
FONCTIONNEMENT	6
Préparation avant l'emploi.....	6
Vérification des piles.....	6
Vérification de la stabilisation du courant	6
Vérification de la mesure de tension.....	6
Mesure	7
Cordons de test	8
Cordons de test au potentiel (fournis)	8
Cordons de test en courant (fournis).....	8
Effets thermiques.....	9
CARACTERISTIQUES	10
Electricité	10
Mécanique.....	10
Conditions d'environnement homologuées.....	11
ENTRETIEN ET REPARATION	12
Changement des piles.....	12
Changement des fusibles.....	13

SYMBOLES

	Attention ! Se reporter aux explications de ce manuel
	Attention, risque de décharge électrique
	Débrancher tous les cordons de test avant d'effectuer la maintenance, le nettoyage, le remplacement des piles, le changement des fusibles, etc.
	Conforme aux directives de l'association australienne de normalisation
	Conforme aux directives européennes
	Ne pas mettre cette pince au rebut parmi les déchets ménagers. Consulter un centre de recyclage homologué pour sa mise au rebut.

⚠ AVERTISSEMENT !

Ne pas utiliser cet instrument en présence d'essence, de gaz naturel, de propane ou dans les atmosphères combustibles.

CAUTIONS ET PRÉCAUTIONS

Reportez-vous au mode d'emploi avant d'utiliser cet appareil.

- Cet instrument ne doit être utilisé que par une personne compétente dûment formée comprenant parfaitement la procédure de mesure et d'essai.
- Lisez attentivement le Mode d'emploi dans son intégrité avant d'utiliser l'instrument. L'opérateur doit bien maîtriser les instructions avant d'utiliser ce produit. Suivez les instructions de chaque test. Prenez toutes les mesures de précaution nécessaires. Ne dépassez pas les limites de cet instrument.
- Le circuit testé doit être mis hors tension et isolé avant d'être connecté à d'autres branchements.
- N'utilisez pas de cordons de test, de sondes ou de pinces crocodiles encrassées, endommagées ou présentant un isolant brisé ou fissuré. Ces accessoires dans ce cas doivent être retirés et réparés immédiatement.
- Débranchez toujours les cordons de test avant de remplacer un fusible ou une pile.
- Remplacez toujours le fusible par un fusible de même type et de même calibre ; vérifiez qu'ils sont bien ajustés aux bornes du fusible.

-
- Confirmez les réglages du commutateur et les branchements des cordons avant la mesure. Créez un croquis pour confirmer le bon fonctionnement, la validité et la compréhension du principe de mesure.
 - Ne touchez pas aux fils exposés, aux branchements ou à d'autres pièces « sous tension » d'un circuit électrique. En cas de doute, vérifiez d'abord la tension au niveau du circuit avant de le toucher.

Précautions

- Veillez toujours à ce que le circuit mesuré soit désactivé (réglé sur OFF), isolé et complètement mis hors tension avant de brancher les cordons de test.
- N'utilisez pas l'instrument si la protection de l'instrument semble avoir été compromise suite à des dommages électriques, mécaniques ou environnementaux. Il doit être renvoyé au distributeur ou au représentant le plus proche pour être inspecté et réparé.
- Pour ne pas endommager l'affichage à cristaux liquides, une température d'entreposage minimum de -20 °C doit être observée. Il faut également noter que le fonctionnement de l'affichage LCD est ralenti en deçà de 0 °C.

⚠ Avertissement, risque de décharge électrique.

DÉBALLAGE ET INSPECTION

Le carton d'emballage doit inclure les éléments suivants:

- 1 milliohmètre MO-100
- 1 sangle de transport en bandoulière
- 1 cordon de test (vert)
- 1 cordon de test (rouge)
- 1 cordon de test (bleu)
- 1 cordon de test (noir)
- 8 piles alcalines (AA, 1,5 V)
- 1 fusible de rechange (0,5 A/250 V)
- 1 Mode d'emploi

Si l'un de ces éléments est endommagé ou manquant, renvoyez le contenu complet de l'emballage au lieu d'achat pour l'échanger.

INTRODUCTION

- Le milliohmètre est un instrument fonctionnant sur piles qui fournit un courant faible le circuit testé, permettant ainsi d'établir des mesures stables, précises de faible résistance, sur un large éventail de gamme de valeurs.
- La résolution sur la plus faible gamme est de 100 μ ohms et sur la gamme la plus élevée de 1 ohm.
- L'instrument fournit 5 gammes de mesure, de 200,0 milliohms à 2 000 ohms.
- Les mesures sont affichées sur un écran à cristaux liquide de 3½ chiffres en gros chiffres.
- Cet instrument ne fonctionne que sur batterie (piles alcalines ou rechargeables équivalentes).
- Il dispose d'une source de courant continu réglé constant avec une intensité de 1 mA, 10 mA et 100 mA.
- L'instrument fournit ce courant à la résistance mesuré par le biais des bornes C1 et C2 (C1 +, C2 -).
- La baisse de tension aux bornes de la résistance testée est mesurée par les bornes de potentiel P1 et P2 (P1 +, P2 -).
- Si le courant ne parvient plus à se stabiliser, le voyant RC s'allume pour indiquer que la résistance dans le circuit de courant est trop élevée. (Sélectionnez une résistance plus élevée pour abaisser le courant et corriger la mauvaise stabilisation.)
- Si le voyant RP s'allume, la tension mesurée sur la résistance est en dépassement de calibre car trop élevée.
- La résistance est mesurée précisément lorsque les voyants RP et RC ne s'allument pas. Si l'un de ces voyants s'allume, la mesure risque d'être inexacte.
- L'appareil intègre un affichage à cristaux liquides de 3½ chiffres personnalisé pour visualiser les résultats sous pratiquement n'importe quel éclairage. Cet affichage indique les conditions de différences conditions (maintien Hold, m, avertisseur, condition de polarité charge, + ou -, changement automatique du point décimal).
- L'instrument relève les valeurs toutes les 10 secondes si le bouton préventif « ON » « TEST re » est activé pendant moins de 2 secondes. Si le même bouton-poussoir est activé pendant plus de 3 secondes, le test se poursuit pendant 60 secondes.

-
- Le commutateur se met complètement hors tension lorsque le commutateur rotatif est réglé sur « OFF ».
 - Le testeur maintient (« Hold ») la dernière valeur relevée avant d'arrêter le test.
 - Le testeur est protégé par un fusible et affiche un limiteur de tension entre C1 et C2.
 - Cette limitation est activé par la tension. Si la tension est trop élevée, ce limiteur de tension grille automatiquement le fusible pour couper le circuit.
 - La tension entre P1 et P2 est également protégée contre les surtensions mais ne dispose pas d'un fusible.
 - Le testeur est muni d'un limiteur de température. La détection de la température est effectuée sur le transistor de stabilisation du courant.
 - Si ce voyant de dépassement de température s'allume, laissez l'instrument se refroidir pendant un moment avant de poursuivre les opérations.
 - Le milliohmètre, dans sa gamme de mesure de 100 μ ohms à 2000 ohms, est adapté à un large éventail d'applications telles que :
 1. La mesure de résistance à l'enroulement des moteurs électriques, des générateurs et des transformateurs.
 2. Les essais de métallisation dans les mines, l'aéronautique, le ferroviaire, les navires, les installations de câblage domestique et industriel.
 3. La mesure des essais de continuité de transformation dans les systèmes de câblage in industriels et domestiques.
 4. La mesure de résistance dans les équipements électroniques tels que les shunts, les pistes des cartes à circuits imprimés, la résistance des relais et des commutateurs.
 5. La vérification des joints de compression sur les manchons de jonction.
 6. Les essais et la maintenance des équipements de tableaux de distribution et des sous-stations sur des éléments tels que les fusibles, les joints, les contacts et les liaisons.

FONCTIONNEMENT

Préparation avant l'emploi

Une fois déballé, le testeur doit être inspecté pour détecter les signes visibles d'endommagement et les vérifications préliminaires décrites dans le mode d'emploi doivent être effectuées pour déterminer qu'il fonctionne correctement. En cas de signes d'endommagement de mauvais fonctionnement de l'instrument, renvoyez-le à votre distributeur le plus proche.

Vérification des piles

Si le symbole de la batterie apparaît sur l'écran LCD, remplacez les piles par des piles alcalines neuves avant de continuer.

Vérification de la stabilisation du courant

- Raccordez les cordons de courant à C1 et C2.
- Sélectionnez une gamme et court-circuitez les cordons de test en courant. Le cordon RC doit se détacher, indiquant que la stabilisation du courant est correcte.

Vérification de la mesure de tension

- Raccordez les cordons de potentiel à P1 et P2.
- Mettez en court-circuit P1 et P2. L'affichage doit indiquer 0000.
- Éliminez le court-circuit de P1 et P2 de C1 et C2. En touchant les cordons de test au potentiel P1 à C1 et P2 à C2, le voyant RP doit s'allumer, indiquant une surtension ou un dépassement de calibre.

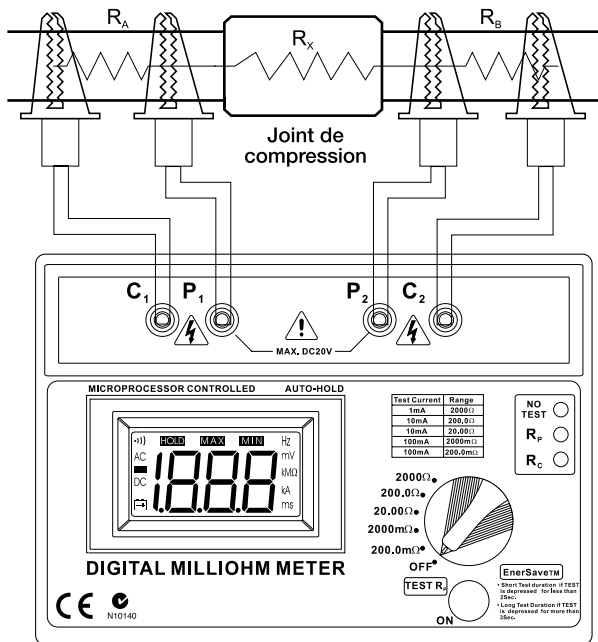
Ce test d'essai peut être répété sur toutes les gammes si nécessaire.

Vous pouvez également vérifier l'indice de polarité du millivoltmètre en touchant les cordons de test au potentiel P1 à C1 et P2 à C2, le voyant RP doit s'allumer, indiquant une surtension ou un dépassement de calibre. L'indicateur - doit indiquer - sur l'écran LCD pour montrer le changement de polarité.

Une vérification totale peut être effectuée en court-circuitant tous les cordons de test C1, C2, P1, P2 entre eux. L'affichage doit indiquer un chiffre proche de 0000 (en fonction des pinces crocodiles utilisées et de leur mise en court-circuit). Les deux voyants RC et RP doivent être éteints pour indiquer que tout fonctionne correctement.

Mesure

- Effectuez les vérifications préliminaires avant de continuer les mesures et vérifiez que les précautions citées sont observées.
- Reliez les cordons de test (codés par couleur) à l'instrument conformément à l'exemple.
- Les cordons de test en courant doivent toujours être éloignés des cordons de test au potentiel.
- Notez que plus les cordons de test au potentiel sont courts, plus les cordons de test au potentiel doivent être longs pour capter le bruit.
- Des cordons de test blindés sont recommandés pour une meilleure réjection du bruit ambiant.



Cordons de test

Les cordons de test fournis avec l'instrument sont adaptés pour raccorder des conducteurs jusqu'à 17 mm de diamètre ou des barres omnibus de 17 mm d'épaisseur. Dans certains cas, l'élément mesuré exige des mâchoires plus larges et il est alors recommandé d'utiliser ses propres cordons. Dans d'autres cas, des cordons plus longs sont exigés en raison de la géométrie de l'élément testé. Les directives suivantes facilitent le montage de ces cordons :

- La longueur des cordons de potentiel doit être la plus courte possible.
- Du fil de cuivre étamé isolé de 16/0,2 mm est recommandé.
- Les deux cordons au potentiel doivent être de même longueur pour minimiser les imprécisions dues au déséquilibre.

Cordons de test au potentiel (fournis)

- Le cordon de test P1+, muni d'une fiche de sécurité rouge blindée de 4 mm, est doté à une extrémité d'une pince crocodile pour le branchement de la résistance à mesurer. L'autre extrémité se branche dans les prises codées par couleur de l'appareil (blindage de 4 mm).
- Le cordon de test P2-, muni d'une fiche de sécurité bleue blindée de 4 mm, est doté à une extrémité d'une pince crocodile pour le branchement de la résistance à mesurer. L'autre extrémité se branche dans les prises codées par couleur de l'appareil (blindage de 4 mm)

Cordons de test en courant (fournis)

- Le cordon de test C1+, muni d'une fiche de sécurité verte blindée de 4 mm, est doté à une extrémité d'une pince crocodile pour le branchement de la résistance à mesurer. L'autre extrémité se branche dans les prises codées par couleur de l'appareil (blindage de 4 mm).
- Le cordon de test C2 -, muni d'une fiche de sécurité noire blindée de 4 mm, est doté à une extrémité d'une pince crocodile pour le branchement de la résistance à mesurer. L'autre extrémité se branche dans les prises codées par couleur de l'appareil (blindage de 4 mm).

Effets thermiques

- La température peut avoir un effet significatif sur les performances d'un milliohmètre en raison du coefficient de température de la résistance testée et de la force électromagnétique-thermique aux bornes de conducteurs dissemblables.
- La plupart des conducteurs présentent un grand coefficient de température de résistance. Par exemple : 0,4 %/°C pour le cuivre. Un conducteur cuivre avec une résistance de 10,00 milliohms à 20 °C augmente jusqu'à 10,40 milliohms à 30 °C. Ce changement doit être pris en compte lors des mesures.
- Un courant traversant une résistance élève également sa température. La durée du test peut donc modifier la résistance.
- Lors de la mesure de la résistance de l'élément, par exemple des shunts munis de joints de conducteurs dissemblable, la force électromagnétique-thermique peut affecter la précision de la mesure. Cette condition peut être détectée si la lecture se modifie lorsque les cordons sont inversés. Pour compenser cet effet, la moyenne des deux valeurs relevées doit servir de mesure vraie.

CARACTERISTIQUES

Electricité

Gammes de mesure :

de 0 à 200,0 milliohms par pas de 100 μ ohms

de 0 à 2 000 milliohms par pas de 1 milliohm

de 0 à 20,0 ohms par pas de 10 milliohms

de 0 à 200,0 ohms par pas de 100 milliohms

de 0 à 2 000 ohms par pas de 1 ohm

Précision :

$\pm 0,5$ % du résultat ± 2 chiffres au-delà de la plage de températures de fonctionnement, -15 °C à $+55$ °C, avec les cordons de test fournis

Courant de test :

Gamme 1 mA \Rightarrow 2 000 ohms

Gammes 10 mA \Rightarrow 200/20 ohms

Gammes 100 mA \Rightarrow 2 000 milliohms/200 milliohms

Précision du courant de test : $\pm 0,1$ %

Fusibles de protection :

Alimentation = 0,5 A, HBC, 5 x 20 mm, DIN

Courant = 0,5 A, HBC, 5 x 20 mm, DIN

Tension = 0,5 A, HBC, 5 x 20 mm, DIN

Sécurité : Conforme à la réglementation CE

Mécanique

Taille du boîtier : 110 mm (H) x 250 mm (l) x 190 mm (P)

Test de chute : CEI 1010, clause 8.3

Test d'impact : CEI 1010, clause 8.2.2

Poids : 1,542 kg

Conditions d'environnement homologuées

1. Utilisation à l'intérieur des locaux
2. Degré de pollution 2
3. Altitude jusqu'à 2 000 mètres
4. 80 % d'humidité relative max.
5. Température ambiante de 0 °C à 40 °C



LVD: Conforme à EN61010-1:2010; EN61010-2-030:2010.

CEM : Conforme à EN61326-1.

Ce produit est conforme aux exigences des directives européennes suivantes : 2004/108/CE (compatibilité électromagnétique) et 2006/95/CE (directive sur les basses tensions) (sigle CE). Toutefois, le bruit électrique ou les champs électromagnétiques intenses à proximité de l'équipement sont susceptibles de perturber le circuit de mesure. Les appareils de mesure réagissent également aux signaux indésirables parfois présents dans le circuit de mesure. Les utilisateurs doivent faire preuve de prudence et prendre les précautions nécessaires pour éviter les erreurs de mesure en présence de parasites électromagnétiques.

ENTRETIEN ET REPARATION

Si une anomalie est suspectée pendant le fonctionnement du multimètre, procédez comme suit pour isoler la cause du problème.

1. Vérifiez la pile. Remplacez immédiatement les piles à l'apparition du symbole "E3" sur l'écran LCD.
2. Consultez les consignes d'utilisation pour vérifier les erreurs possibles lors de l'utilisation.

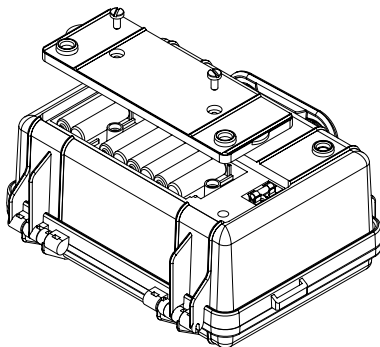
A l'exception du changement des piles, la réparation de l'appareil doit être effectuée en usine dans un centre de service agréé ou par un autre personnel de réparation qualifié.

La face avant et le boîtier peuvent être nettoyés à l'aide d'une solution légère à base d'eau et de détergent.

Appliquez cette solution avec modération en utilisant un tissu doux et laissez bien sécher avant l'utilisation. N'utilisez pas de solvants à base d'essence, de chlore ou d'hydrocarbures aromatiques pour le nettoyage.

CHANGEMENT DES PILES

1. Débranchez les cordons de test de l'instrument et retirez le couvercle des piles et les piles.
2. La batterie du testeur est située sous le testeur.
3. Remplacez-les par huit piles AA de 1,5 V en veillant à bien respecter leur polarité. (Des piles alcalines sont recommandées.)
4. Remontez le compartiment des piles et son couvercle.



CHANGEMENT DES FUSIBLES

La tension continue maximum qui peut être appliquée aux bornes des cordons de courant et de potentiel est d'environ 10,7 V. L'application d'une tension supérieure grille automatiquement leurs fusibles respectifs.

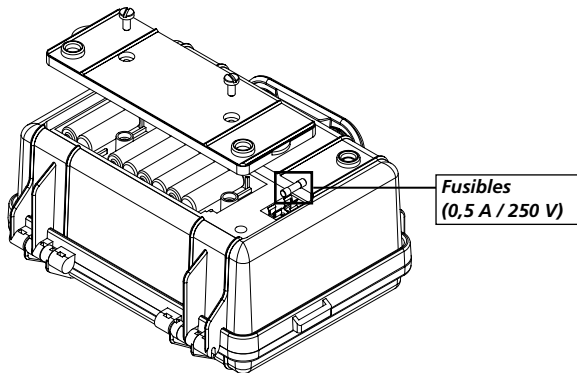
Toutefois, le limiteur de surtension peut être ajusté en usine en fonction de l'application finale.

Nous avons sélectionné cette méthode spécialement pour éviter d'endommager l'instrument en cas d'une utilisation abusive.

Il y a trois fusibles :

- **Fusible d'alimentation**

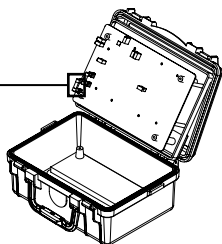
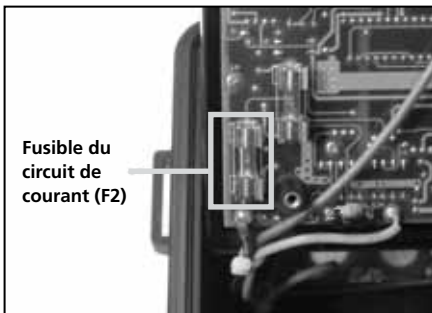
Le fusible d'alimentation est situé sous le testeur. Ouvrez le compartiment des piles et installez un fusible du même type (0,5 A, > 24 V, fusible temporisé)



- **Fusible du circuit de courant**

La protection du fusible est fournie sur les bornes de courant. Ce fusible est situé sous la carte de circuit imprimé. Pour y accéder, vous devez dévisser les quatre vis de fixation maintenant la face avant. Deux de ces vis sont situées sous les pieds de l'appareil, et les deux autres sont situés dans le compartiment des piles.

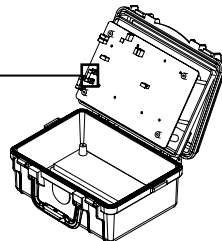
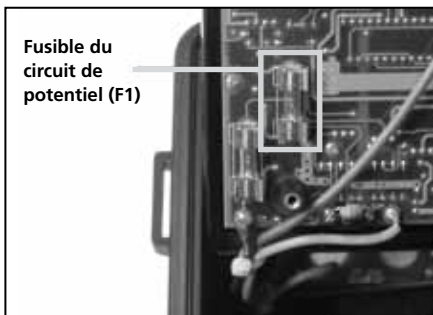
Le fusible est automatiquement grillé par le limiteur de surtension en présence d'une tension sur la résistance testée. Cela permet d'éviter l'endommagement de l'instrument. Si le voyant RC reste allumé, cela indique que ce fusible est grillé. (HBC, 0,5 A, 250 V c.a., fusible temporisé)



- **Fusible du circuit au potentiel**

La protection du fusible est fournie sur les bornes de potentiel. Ce fusible est situé sous la carte de circuit imprimé. Pour y accéder, vous devez dévisser les quatre vis de fixation maintenant la face avant. Deux de ces vis sont situées sous les pieds de l'appareil, et les deux autres sont situées dans le compartiment des piles.

Le fusible est automatiquement grillé par le limiteur de surtension en présence d'une tension sur la résistance testée. Cela permet d'éviter l'endommagement de l'instrument. Si les tests préliminaires n'allument pas RP, cela indique que ce fusible est grillé. (HBC, 0,5 A, 250 V c.a., fusible temporisé)





MO-100

Milliohmmeter

Bedienungshandbuch

Deutsch

8/2013, Rev. 2

©2013 Amprobe Test Tools.

Alle Rechte vorbehalten. Gedruckt in den Taiwan.

Beschränkte Gewährleistung und Haftungsbeschränkung

Es wird gewährleistet, dass dieses Amprobe-Produkt für die Dauer von einem Jahr ab dem Kaufdatum frei von Material- und Fertigungsdefekten ist. Diese Gewährleistung erstreckt sich nicht auf Sicherungen, Einwegbatterien oder Schäden durch Unfälle, Nachlässigkeit, Missbrauch, Änderungen oder abnormale Betriebsbedingungen bzw. unsachgemäße Handhabung. Die Verkaufsstellen sind nicht dazu berechtigt, diese Gewährleistung im Namen von Amprobe zu erweitern. Um während der Gewährleistungsperiode Serviceleistungen in Anspruch zu nehmen, das Produkt mit Kaufnachweis an ein autorisiertes Amprobe Test Tools Service-Center oder an einen Amprobe-Fachhändler/-Distributor einsenden. Nähere Einzelheiten siehe Abschnitt „Reparatur“. DIESE GEWÄHRLEISTUNG STELLT DEN EINZIGEN UND ALLEINIGEN RECHTSANSPRUCH AUF SCHADENERSATZ DAR. ALLE ANDEREN (VERTRAGLICH GEREGLTEN ODER GESETZLICH VORGESCHRIEBENEN) GEWÄHRLEISTUNGEN, EINSCHLIESSLICH DER GESETZLICHEN GEWÄHRLEISTUNG DER MARKTFÄHIGKEIT UND DER EIGNUNG FÜR EINEN BESTIMMTEN ZWECK, WERDEN ABGELEHNT. DER HERSTELLER ÜBERNIMMT KEINE HAFTUNG FÜR SPEZIELLE, INDIREKTE, NEBEN- ODER FOLGESCHÄDEN ODER FÜR VERLUSTE, DIE AUF BELIEBIGER URSACHE ODER RECHTSSTHEORIE BERUHEN. Weil einige Staaten oder Länder den Ausschluss oder die Einschränkung einer implizierten Gewährleistung sowie den Ausschluss von Begleit- oder Folgeschäden nicht zulassen, ist diese Gewährleistungsbeschränkung möglicherweise für Sie nicht gültig.

Reparatur

Zu allen Geräten, die zur Reparatur oder Kalibrierung im Rahmen der Garantie oder außerhalb der Garantie eingeschickt werden, muss folgendes beigelegt werden: Name des Kunden, Firmenname, Adresse, Telefonnummer und Kaufbeleg. Zusätzlich bitte eine kurze Beschreibung des Problems oder der gewünschten Wartung sowie die Messleitungen dem Messgerät beilegen. Die Gebühren für außerhalb des Garantiezeitraums durchgeführte Reparaturen oder für den Ersatz von Instrumenten müssen per Scheck, Zahlungsanweisung oder Kreditkarte (Kreditkartennummer mit Ablaufdatum) beglichen werden oder es muss ein Auftrag auf Rechnung an Amprobe® Test Tools formuliert werden.

Garantiereparaturen oder -austausch – Alle Länder

Bitte die Garantieerklärung lesen und die Batterie prüfen, bevor Reparaturen angefordert werden. Während der Garantieperiode können alle defekten Geräte zum Umtausch gegen dasselbe oder ein ähnliches Produkt an den Amprobe® Test Tools-Distributor gesendet werden. Ein Verzeichnis der zuständigen Distributoren ist im Abschnitt „Where to Buy“ (Verkaufsstellen) auf der Website www.amprobe.com zu finden. Darüber hinaus können in den USA und in Kanada Geräte an ein Amprobe® Test Tools Service-Center (siehe Adresse unten) zur Reparatur oder zum Umtausch eingeschickt werden.

Reparaturen und Austausch außerhalb der Garantie – USA und Kanada

Für Reparaturen außerhalb des Garantiezeitraums in den Vereinigten Staaten und in Kanada werden die Geräte an ein Amprobe® Test Tools Service-Center gesendet. Auskunft über die derzeit geltenden Reparatur- und Austauschgebühren erhalten Sie von Amprobe® Test Tools oder der Verkaufsstelle.

In den USA	In Kanada
Amprobe Test Tools	Amprobe Test Tools
Everett, WA 98203	Mississauga, ON L4Z 1X9
Tel.: 877-AMPROBE (267-7623)	Tel.: 905-890-7600

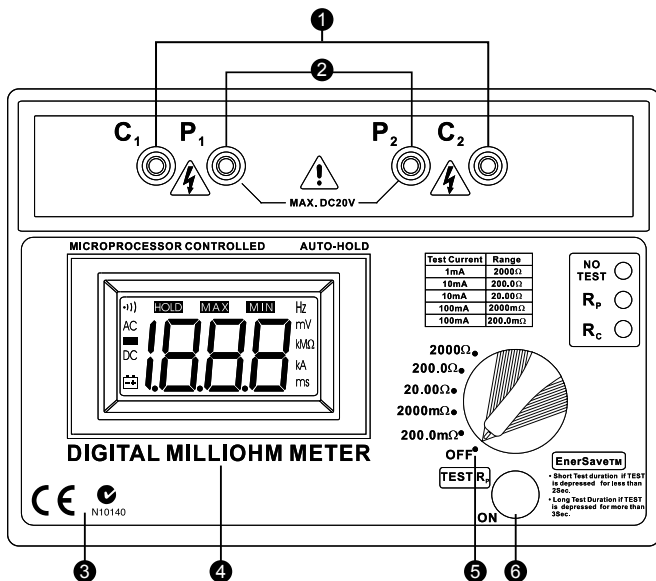
Reparaturen und Austausch außerhalb der Garantie – Europa

Geräte mit abgelaufener Garantie können durch den zuständigen Amprobe® Test Tools-Distributor gegen eine Gebühr ersetzt werden. Ein Verzeichnis der zuständigen Distributoren ist im Abschnitt „Where to Buy“ (Verkaufsstellen) auf der Website www.amprobe.com zu finden.

Korrespondenzanschrift für Europa*

Amprobe® Test Tools Europe
In den Engematten 14
79286 Glottertal, Deutschland
Tel.: +49 (0) 7684 8009-0

*(Nur Korrespondenz – keine Reparaturen und kein Umtausch unter dieser Anschrift. Kunden in Europa wenden sich an den zuständigen Distributor.)



- 1** Stromaufschaltungsanschlüsse **2** Potentialaufschaltungsanschlüsse
3 Erfüllung LVD- und EMV-Anforderung **4** Flüssigkristallanzeige (LCD)
5 Drehbarer Auswahlschalter **6** Test starten/stoppen

NO TEST <input type="radio"/>	Übertemperatur-Anzeige. Ein = Übertemperatur oder Test gestoppt.
R _p <input type="radio"/>	Widerstand zwischen den Strommessleitungen zu hoch (Sicherung!).
R _c <input type="radio"/>	Widerstand zwischen den Potentialmessleitungen zu hoch.







⚠ VORSICHT!

Wenn die LED „NO TEST“ leuchtet, ist die Stromquelle gestoppt.

INHALT

SYMBOLE	2
VORSICHTSHINWEISE UND VORKEHRUNGEN	2
AUSPACKEN UND ÜBERPRÜFEN	3
EINFÜHRUNG	4
BEDIENUNG	5
Vorbereitung zum Gebrauch	5
Prüfen der Batterie	6
Prüfen der Stromregelung	6
Prüfen der Spannungsmessung	6
Messen	7
Messleitungen	8
Gelieferte Potentialmessleitungen	8
Gelieferte Strommessleitungen	8
Wärmewirkungen	9
TECHNISCHE DATEN	10
Elektrik	10
Mechanisch	10
Spezifizierte Umgebungsbedingungen	11
WARTUNG UND REPARATUR	12
Auswechseln der Batterie	12
Auswechseln der Sicherungen	13

SYMBOLE

	Vorsicht! Siehe Erklärung in diesem Handbuch
	Vorsicht, Stromschlaggefahr
	Vor Wartung, Reinigung, Batterieauswechslung, Sicherungsauswechslung usw. alle Messleitungen entfernen
	Übereinstimmung mit den relevanten australischen Normen
	Übereinstimmung mit EU-Richtlinien
	Dieses Messgerät nicht im unsortierten Kommunalabfall entsorgen. Zur Entsorgung ein qualifiziertes Recycling-Unternehmen kontaktieren

WARNUNG!

Dieses Messgerät nicht in Umgebungen mit Benzin, Erdgas, Propangas oder anderen brennbaren Stoffen betreiben.

VORSICHTSHINWEISE UND VORKEHRUNGEN

Vor Gebrauch des Messgeräts dieses Handbuch beiziehen.

- Dieses Messgerät sollte von einer ausreichend geschulten Fachperson verwendet werden, die das Prüf- und Messverfahren vollständig versteht.
- Vor Gebrauch des Messgeräts das Bedienungshandbuch sorgfältig und vollständig lesen. Vor Gebrauch dieses Produkts sicherstellen, dass die Anweisungen vollständig verstanden werden. Die Anweisungen für die einzelnen Tests befolgen. Alle erforderlichen Vorkehrungen treffen. Die Grenzwerte dieses Messgeräts nicht überschreiten.
- Der getestete Schaltkreis muss stromlos gemacht und isoliert werden, bevor Anschlüsse daran vorgenommen werden.
- Keine Messleitungen, Sonden oder Krokodilklemmen verwenden, die verschmutzt oder beschädigt sind oder beschädigte Isolation aufweisen. Derartige Zubehörartikel sollten unverzüglich entfernt und repariert werden.
- Vor dem Auswechseln einer Sicherung oder Batterie stets die Messleitungen abnehmen.
- Die Sicherung stets durch eine Sicherung des gleichen Typs und der gleichen Nennleistung ersetzen. Sicherstellen, dass die Sicherungen ordnungsgemäß eingesetzt sind und auf die Sicherungskontakte passen.
- Vor dem Messen die Schaltereinstellungen und Messleitungsanschlüsse genau nachprüfen. Eine Skizze anfertigen, um sicherzustellen, dass die Bedienung und das Messprinzip korrekt sind und gut verstanden werden.

-
- Keine freiliegenden Drähte, Anschlüsse oder „stromführenden“ Teile eines elektrischen Schaltkreises berühren. Im Zweifelsfall vor möglicher Berührung den Schaltkreis zuerst auf Spannung prüfen.

Vorkehrungen

- Vor dem Anschließen der Messleitungen stets sicherstellen, dass der zu messende Schaltkreis AUSGESCHALTET, isoliert und vollständig stromlos gemacht ist.
- Falls es möglich ist, dass der Schutz des Messgeräts aufgrund elektrischer, mechanischer oder umweltbedingter Beschädigung beeinträchtigt ist, darf das Gerät nicht verwendet werden. Das Gerät sollte zur Prüfung und Reparatur an den nächstgelegenen Distributor oder die Vertretung zurückgegeben werden.
- Um Beschädigung der Flüssigkristallanzeige (LCD) zu vermeiden, sollte die minimale Lagertemperatur von -20 °C eingehalten werden. Zudem beachten, dass der Betrieb der LCD unterhalb 0 °C träge sein wird.

⚠ Warnung, Stromschlaggefahr.

AUSPACKEN UND ÜBERPRÜFEN

Der Verpackungskarton sollte Folgendes enthalten:

- 1 MO-100 Milliohmmeter
- 1 Schultergurt
- 1 Messleitung (grün)
- 1 Messleitung (rot)
- 1 Messleitung (blau)
- 1 Messleitung (schwarz)
- 8 Alkalibatterie (AA/LR6, 1,5 V)
- 1 Ersatzsicherung (0,5 A/250 V)
- 1 Bedienungshandbuch

Wenn einer dieser Artikel beschädigt ist oder fehlt, die gesamte Lieferung zwecks Ersatz an die Verkaufsstelle zurücksenden.

EINFÜHRUNG

- Das Milliohmometer ist ein batteriebetriebenes Messgerät, das einen Schwachstrom an den zu testenden Schaltkreis anlegt, was stabile und genaue Messung niederohmiger Widerstände über einen weiten Bereich von Werten ermöglicht.
- Die Auflösung im niedrigsten Bereich beträgt $100\ \mu\Omega$ und $1\ \text{Ohm}$ im höchsten Bereich.
- Das Messgerät verfügt über 5 Messbereiche von $200,0\ \text{Milliohm}$ bis $2000\ \text{Ohm}$.
- Messwerte werden auf einer anpassbaren Flüssigkristallanzeige (LCD) mit $3\frac{1}{2}$ Stellen und großen Ziffern angezeigt.
- Dieses Messgerät wird ausschließlich durch Batterien versorgt (Alkalibatterien oder wiederaufladbare).
- Es verfügt über eine regulierte Gleichspannungs-Konstantstromquelle von $1\ \text{mA}$, $10\ \text{mA}$ und $100\ \text{mA}$.
- Das Messgerät legt diesen Strom über die Anschlüsse C1 und C2 (C1 ist +, C2 ist -) an den zu messenden Widerstand an.
- Der Spannungsabfall über dem zu testenden Widerstand wird durch die Potentialanschlüsse P1 und P2 (P1 ist +, P2 ist -) gemessen.
- Wenn die Stromregelung ausfällt, leuchtet die Rc LED auf und zeigt an, dass der Widerstand im Schaltkreis zu hoch ist. (Verringerung des Stroms durch Auswahl eines höheren Widerstandsbereichs kann die Regelung lösen.)
- Wenn die Rp LED aufleuchtet, bedeutet das, dass die am Widerstand gemessene Spannung zu hoch ist und eine Überschreitung darstellt.
- Der Widerstand wird genau gemessen, wenn die RP- und RC-LEDs nicht leuchten. Wenn eine dieser LEDs leuchtet, kann die Messung ungenau sein.
- Das Messgerät verfügt über eine integrierte anpassbare Flüssigkristallanzeige (LCD) mit $3\frac{1}{2}$ Stellen, die unter den meisten Lichtbedingungen sichtbar ist. Diese Anzeige zeigt die verschiedenen Bedingungen an (Hold, m, Summer, Polarität der Last, + oder -, automatische Dezimalstellenänderung).
- Das Messgerät nimmt Messungen für 10 Sekunden vor, wenn die Taste „TEST re“ gedrückt und weniger als 2 Sekunden gedrückt gehalten wird. Wenn diese Taste gedrückt und mehr als 3 Sekunden gedrückt gehalten wird, wird der Test für 60 Sekunden durchgeführt.
- Der Tester ist vollständig ausgeschaltet (OFF), wenn sich der Drehschalter in der Position „OFF“ befindet.

-
- Der Tester bewahrt den zuletzt gemessenen Wert und stoppt dann den Test.
 - Der Tester ist sicherungsgeschützt und verfügt über eine Schutzschaltung zwischen C1 und C2.
 - Diese Schutzschaltung wird durch Spannung aktiviert. Wenn die Spannung zu hoch ist, bewirkt diese Schutzschaltung, dass die Sicherung durchbrennt und den Schaltkreis automatisch unterbricht.
 - Die Spannung zwischen P1 und P2 ist ebenfalls gegen Überspannung geschützt, weist jedoch keine Sicherung auf.
 - Der Tester verfügt über eine Temperaturabschaltung. Die Temperaturabtastung erfolgt am Stromregelungstransistor.
 - Wenn diese Übertemperatur-LED leuchtet, vor weiteren Arbeiten das Messgerät abkühlen lassen.
 - Das Milliohmometer mit einem Messbereich von $100\ \mu\Omega$ bis $2000\ \Omega$ eignet sich für eine breite Palette von Anwendungen. Dazu gehören:
 1. Messen des Wicklungswiderstands von Elektromotoren, Generatoren und Transformatoren.
 2. Kontaktprüfung in Bergwerken, Flugzeugen, Zügen, Schiffen und anderen Verdrahtungen in Haushalt und Industrie.
 3. Messen der Ringleitung. Durchgangsprüfung in Verdrahtungen in Haushalt und Industrie.
 4. Messen von Widerstand in elektronischen Komponenten wie Nebenschlüssen, Leiterbahnen, Schalter und Relais.
 5. Prüfen der Pressverbindungen von Freileitungen.
 6. Testen und Warten von Schalttafel-/Schaltstationskomponenten wie Sicherungen, Verbindungen und Kontakte.

BEDIENUNG

Vorbereitung zum Gebrauch

Nach dem Auspacken sollte der Tester auf sichtbare Anzeichen von Beschädigung untersucht werden. Zudem sollten die im Bedienungshandbuch beschriebenen Vorprüfungen durchgeführt werden, um sicherzustellen, dass das Gerät korrekt funktioniert. Falls Zeichen von Beschädigung vorhanden sind oder das Messgerät nicht korrekt funktioniert, das Gerät an den nächstgelegenen Händler zurückgeben.

Prüfen der Batterien

Wenn das Batteriesymbol auf der LCD eingeblendet ist, vor weiteren Arbeiten die Batterien durch neue Alkalibatterien ersetzen.

Prüfen der Stromregelung

- Die Strommessleitungen an C1 und C2 anschließen.
- Einen Bereich auswählen und die Strommessleitungen kurzschließen. Die RC-LED sollte erlöschen und dadurch anzeigen, dass die Stromregelung korrekt funktioniert.

Prüfen der Spannungsmessung

- Die Potentialmessleitungen an P1 und P2 anschließen.
- P1 und P2 kurzschließen. Die Anzeige sollte 0000 anzeigen.
- Den Kurzschluss von P1 und P2 sowie C1 und C2 entfernen. Wenn die Potentialmessleitungen P1 auf C1 und P2 auf C2 berührt werden, sollte die RP-LED aufleuchten und dadurch eine Überspannung oder Überschreitung anzeigen.

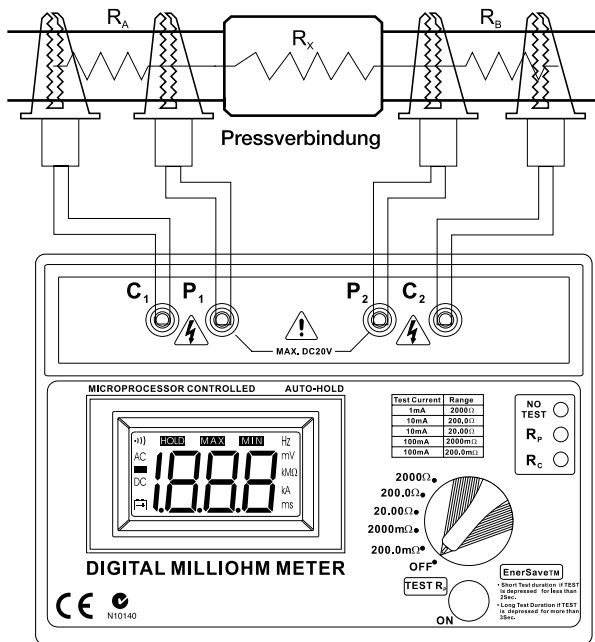
Dieser nachweisliche Test kann nötigenfalls wiederholt für alle Bereiche wiederholt werden.

Es kann auch die Polaritätsanzeige des Millivoltmeters geprüft werden. Wenn die Potentialmessleitungen P1 auf C1 und P2 auf C2 berührt werden, sollte die RP-LED aufleuchten und dadurch eine Überspannung oder Überschreitung anzeigen. Die LCD sollte - anzeigen und dadurch die Polaritätsänderung signalisieren.

Eine Gesamtprüfung kann durch Kurzschließen aller Messleitungen (C1, C2, P1, P2) erfolgen. Die Anzeige sollte nahezu 0000 anzeigen (abhängig von den verwendeten Krokodilklemmen und der Art, wie sie kurzgeschlossen sind). Die RC-LED und die RP-LED sollten ausgeschaltet sein und dadurch anzeigen, dass alles funktioniert.

Messen

- Vor weiteren Messungen die Vorprüfungen durchführen und sicherstellen, dass die aufgeführten Vorkehrungen eingehalten werden.
- Die Messleitungen (farbkodiert) wie abgebildet an das Messgerät anschließen.
- Die Strommessleitungen müssen stets außen neben den Potentialmessleitungen angebracht werden.
- Beachten, je kürzer Potentialmessleitungen sind, desto besser sprechen lange Potentialmessleitungen auf Rauschen an.
- Zur besseren Unterdrückung von Umweltrauschen werden geschirmte Messleitungen empfohlen.



Messleitungen

Die mit dem Messgerät gelieferten Messleitungen eignen sich zum Anschließen an Anschlüsse bis 17 mm Durchmesser oder Sammelschienen bis 17 mm Stärke. Es gibt Fälle, in denen die gemessene Komponente größere Backen erfordert und der Benutzer gezwungen ist, eigene Messleitungen anzufertigen. Es gibt Fälle, in denen aufgrund der Geometrie der zu testenden Komponente längere Messleitungen erforderlich sind. Es folgen einige Hinweise hinsichtlich der Anfertigung solcher Messleitungen:

- Die Länge der Potentialmessleitungen sollte möglichst kurz sein.
- Es wird isolierter 16/0,2 mm verzinnter Kupferdraht empfohlen.
- Die zwei Potentialmessleitungen sollten die gleiche Länge aufweisen, um Ungenauigkeit aufgrund von Unsymmetrie zu minimieren.

Gelieferte Potentialmessleitungen

- P1+ Messleitung, rot, abgeschirmt, 4 mm Sicherheitsanschluss, Krokodilklemme an einem Ende für Anschluss an den zu messenden Widerstand. Das andere Ende wird in eine farbgekodierte Buchse am Messgerät eingesteckt (4 mm abgeschirmt).
- P2- Messleitung, blau, abgeschirmt, 4 mm Sicherheitsanschluss, Krokodilklemme an einem Ende für Anschluss an den zu messenden Widerstand. Das andere Ende wird in eine farbgekodierte Buchse am Messgerät eingesteckt (4 mm abgeschirmt).

Gelieferte Strommessleitungen

- C1+ Messleitung, grün, abgeschirmt, 4 mm Sicherheitsanschluss, Krokodilklemme an einem Ende für Anschluss an den zu messenden Widerstand. Das andere Ende wird in eine farbgekodierte Buchse am Messgerät eingesteckt (4 mm abgeschirmt).
- C2- Messleitung, schwarz, abgeschirmt, 4 mm Sicherheitsanschluss, Krokodilklemme an einem Ende für Anschluss an den zu messenden Widerstand. Das andere Ende wird in eine farbgekodierte Buchse am Messgerät eingesteckt (4 mm abgeschirmt).

Wärmewirkungen

- Temperatur kann eine bedeutende Wirkung auf die Leistung eines Milliohmmeters haben. Gründe dafür sind der Temperaturkoeffizient des zu prüfenden Widerstands sowie thermische EMKs über unterschiedlichen Leitern.
- Die meisten Leiter haben einen großen Temperaturkoeffizient für Widerstand. Zum Beispiel: 0,4 %/°C für Kupfer. Ein Kupferleiter mit einem Widerstand von 10,00 mOhm bei 20 °C erhöht sich auf 10,40 mOhm bei 30 °C. Diese Änderung sollte beim Vornehmen von Messungen berücksichtigt werden.
- Ein Strom, der durch einen Widerstand geht, wird auch seine Temperatur erhöhen. Die Dauer des Tests kann demzufolge den Widerstand ändern.
- Beim Messen des Widerstands von Komponenten, zum Beispiel Nebenschlüssen, die Verbindungen mit ungleichen Leitern aufweisen, können thermische EMKs die Genauigkeit der Messung beeinträchtigen. Dieser Fall kann erkannt werden, falls sich die Anzeige ändert, wenn die Messleitungen vertauscht werden. Um für diese Wirkung zu kompensieren, sollte der Mittelwert der angezeigten Messwerte als wahrliche Messung angenommen werden.

TECHNISCHE DATEN

Elektrik

Messbereiche:

- 0 - 200,0 mOhm in Schritten von 100 μ Ohm
- 0 - 2000 mOhm in Schritten von 1 mOhm
- 0 - 20,0 Ohm in Schritten von 10 mOhm
- 0 - 200,0 Ohm in Schritten von 100 mOhm
- 0 - 2000 Ohm in Schritten von 1 Ohm

Genauigkeit:

- $\pm 0,5$ % Anzeige ± 2 Stellen über dem Betriebstemperaturbereich, -15 °C bis $+55$ °C, mit den gelieferten Messleitungen

Prüfstrom:

- 1 mA \Rightarrow 2000 Ohm Bereich
- 10 mA \Rightarrow 200 / 20 Ohm Bereiche
- 100 mA \Rightarrow 2000 m / 200 mOhm Bereiche

Prüfstromgenauigkeit: $\pm 0,1$ %

Schutzsicherungen:

- Versorgung = 0,5 A, HBC, 5 x 20 mm, DIN
- Strom = 0,5 A, HBC, 5 x 20 mm, DIN
- Spannung = 0,5 A, HBC, 5 x 20 mm, DIN

Sicherheit: Stimmt mit CE-Vorschrift überein

Mechanisch

Gehäuseabmessungen: 110 mm (H) X 250 mm (B) X 190 mm (T)

Fallprüfung: IEC 61010-1, Klausel 8.3

Schlagprüfung: IEC 61010-1, Klausel 8.2.2

Gewicht: 1,542 kg

Spezifizierte Umgebungsbedingungen

1. Gebrauch in Gebäuden
2. Verschmutzungsgrad 2
3. Höhenlage bis 2000 Meter
4. Relative Luftfeuchtigkeit max. 80 %
5. Umgebungstemperatur 0 °C ~ 40 °C




LVD: Stimmt überein mit EN61010-1:2010; EN61010-2-030:2010.

EMV: Stimmt überein mit EN61326-1.

Dieses Produkt stimmt mit den Anforderungen folgender Richtlinien der europäischen Gemeinschaft überein: 2004/108/EG (elektromagnetische Verträglichkeit) und 2006/95/EG (Niederspannungsrichtlinie) (CE-Kennzeichnung). Doch elektrisches Rauschen oder intensive elektromagnetische Felder in der Nähe des Geräts können den Messschaltkreis stören. Messinstrumente reagieren auch auf unerwünschte Impulse/Signale, die unter Umständen im Messschaltkreis vorkommen. Die Benutzer müssen die nötige Sorgfalt walten lassen und geeignete Vorkehrungen treffen, um irreführende Ergebnisse bei Messungen bei Vorhandensein elektrischer Störeinflüsse zu vermeiden.

WARTUNG UND REPARATUR

Wenn ein Fehlverhalten während des Betriebs des Messgeräts vermutet wird, sollten die folgenden Schritte durchgeführt werden, um die Ursache des Problems genau zu bestimmen.

1. Die Batterien prüfen. Die Batterie sofort ersetzen, wenn das Symbol  auf der LCD erscheint.
2. Die Bedienungsanleitungen studieren, um mögliche Fehler bei der Bedienung zu erkennen.

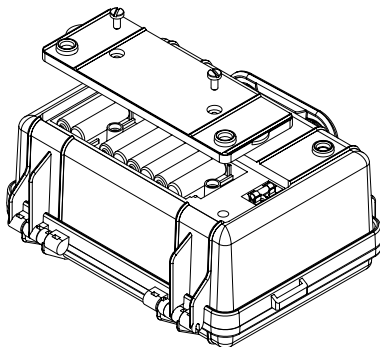
Außer dem Ersetzen der Batterie sollten Reparaturen am Messgerät ausschließlich durch werkseitig autorisiertes Servicepersonal oder anderes Fachpersonal durchgeführt werden.

Die Vorderseite und das Gehäuse können mit einer milden Lösung von Reinigungsmittel und Wasser gereinigt werden.

Die Lösung spärlich mit einem weichen Tuch auftragen und das Gerät vor Gebrauch vollständig trocknen lassen. Keine aromatischen Kohlenwasserstoffe, kein Benzin bzw. keine Chlidlösungsmittel zur Reinigung verwenden.

AUSWECHSELN DER BATTERIE

1. Die Messleitungen vom Messgerät abnehmen und die Batteriefachabdeckung und die Batterien entfernen.
2. Die Batterien befinden sich an der Unterseite des Testers.
3. Auf korrekte Polarität achten und acht neue 1,5 V AA Batterien einsetzen. (Alkalibatterien werden empfohlen.)
4. Die Batteriehalterung und die Batteriefachabdeckung wieder anbringen.



AUSWECHSELN DER SICHERUNGEN

Die maximale Dauerspannung, die über dem Potential und den Strommessleitungen angelegt werden kann, beträgt ungefähr 10,7 V. Wenn mehr Spannung angelegt wird, brennen automatisch die entsprechenden Sicherungen durch.

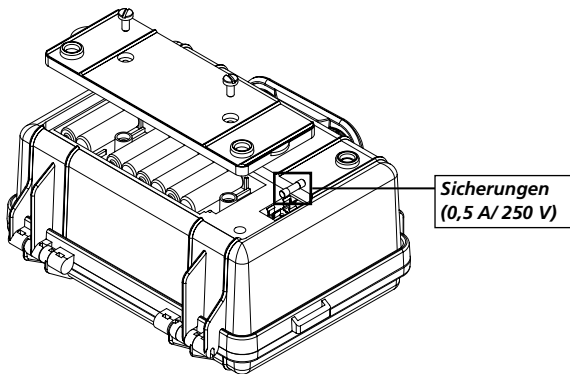
Die Auslösung des Schutzschalters kann jedoch werkseitig anwendungsspezifisch angepasst werden.

Der Hersteller hat diese Methode bewusst ausgewählt, sodass das Gerät bei Missbrauch nicht beschädigt wird.

Es gibt drei Sicherungen:

- **Stromversorgungssicherung**

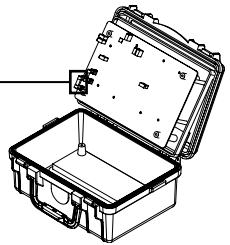
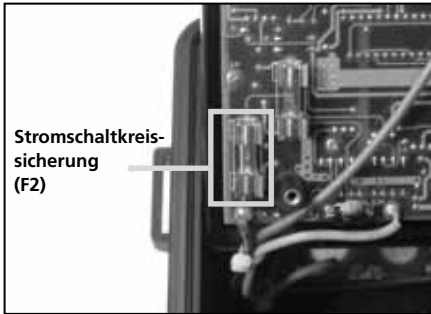
Die Stromversorgungssicherung befindet sich an der Unterseite des Testers. Die Batteriefachabdeckung öffnen und die Sicherung durch eine Sicherung des gleichen Typs (0,5 A, > 24 V, träge) ersetzen.



- **Stromschaltkreissicherung**

Sicherungsschutz wird an den Stromanschlüssen geboten. Diese Sicherung befindet sich an der Unterseite der Leiterplatte. Für den Zugang zur Sicherung die vier Befestigungsschrauben lösen, die die Frontblende halten. Zwei dieser Schrauben befinden sich unter den Füßen im Innern des Batteriefachs.

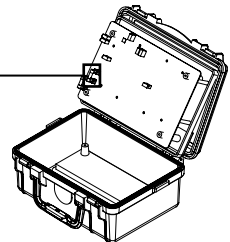
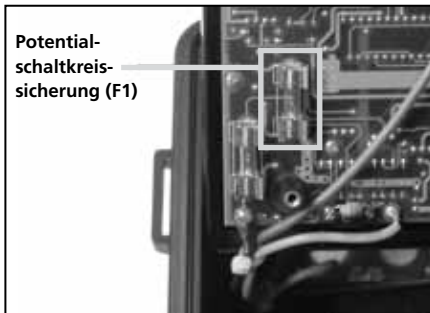
Die Sicherung brennt automatisch durch (Schutzschalter), falls am zu testenden Widerstand Spannung vorhanden ist. Dies verhindert Beschädigung des Messgeräts. Wenn diese Sicherung durchgebrannt ist, bleibt die RC-LED eingeschaltet. (HBC, 0,5 A, 250 Vac, träge)



- **Potentialschaltkreissicherung**

Sicherungsschutz wird an den Potentialanschlüssen geboten. Diese Sicherung befindet sich an der Unterseite der Leiterplatte. Für den Zugang zur Sicherung die vier Befestigungsschrauben lösen, die die Frontblende halten. Zwei dieser Schrauben befinden sich unter den Füßen im Innern des Batteriefachs.

Die Sicherung brennt automatisch durch (Schutzschalter), falls am zu testenden Widerstand Spannung vorhanden ist. Dies verhindert Beschädigung des Messgeräts. Wenn die Vorprüfungen RP nicht aktivieren, zeigt dies an, dass diese Sicherung durchgebrannt ist. (HBC, 0,5 A, 250 Vac, träge)





MO-100

Milliohmmetro

Manuale d'uso

8/2013, Rev.2
©2013 Amprobe Test Tools.
Tutti i diritti riservati. Stampato in Taiwan.

Italiano

Garanzia limitata e limitazione di responsabilità

Questo prodotto Amprobe sarà esente da difetti di materiale e fabbricazione per un anno a decorrere dalla data di acquisto. Sono esclusi da questa garanzia i fusibili, le pile monouso e i danni causati da incidenti, negligenza, uso improprio, alterazione, contaminazione o condizioni anomale di funzionamento o manipolazione. I rivenditori non sono autorizzati a offrire nessun'altra garanzia a nome della Amprobe. Per richiedere un intervento durante il periodo di garanzia, restituire il prodotto, allegando la ricevuta di acquisto, a un centro di assistenza autorizzato Amprobe Test Tools oppure a un rivenditore o distributore Amprobe locale. Per ulteriori informazioni vedere la sezione Riparazioni. QUESTA GARANZIA È IL SOLO RICORSO A DISPOSIZIONE DELL'ACQUIRENTE, E SOSTITUISCE QUALSIASI ALTRA GARANZIA, ESPRESSA, IMPLICITA O PREVISTA DALLA LEGGE, COMPRESA, MA NON A TITOLO ESCLUSIVO, QUALSIASI GARANZIA IMPLICITA DI COMMERCIALITÀ O DI IDONEITÀ PER SCOPI PARTICOLARI. IL PRODUTTORE NON SARÀ RESPONSABILE DI DANNI O PERDITE SPECIALI, INDIRETTI O ACCIDENTALI, DERIVANTI DA QUALSIASI CAUSA O TEORIA. Poiché alcuni stati o Paesi non permettono l'esclusione o la limitazione di una garanzia implicita o di danni accidentali o indiretti, questa limitazione di responsabilità potrebbe non riguardare l'acquirente.

Riparazioni

A tutti gli strumenti di misura restituiti per interventi in garanzia non coperti dalla garanzia oppure per la taratura, devono essere allegate le seguenti informazioni: il proprio nome e quello dell'azienda, indirizzo, numero telefonico e ricevuta di acquisto. Allegare anche una breve descrizione del problema o dell'intervento richiesto e i cavi di misura. Gli importi dovuti per sostituzioni o riparazioni non coperte dalla garanzia vanno versati tramite assegno, vaglia bancario, carta di credito con data di scadenza, oppure ordine di acquisto all'ordine di Amprobe® Test Tools.

Sostituzioni e riparazioni in garanzia – Tutti i Paesi

Leggere la garanzia e controllare la batteria prima di richiedere una riparazione. Durante il periodo di garanzia, si può restituire uno strumento difettoso al rivenditore Amprobe® Test Tools per ricevere un prodotto identico o analogo. Nella sezione "Where to Buy" del sito www.amprobe.com c'è un elenco dei distributori più vicini. Negli Stati Uniti e nel Canada gli strumenti da sostituire o riparare in garanzia possono essere inviati anche a un centro di assistenza Amprobe® Test Tools (l'indirizzo è più avanti).

Sostituzioni e riparazioni non coperte dalla garanzia – U.S.A. e Canada

Se la riparazione non è coperta dalla garanzia negli Stati Uniti e nel Canada, lo strumento va inviato a un centro di assistenza Amprobe® Test Tools. Rivolgersi alla Amprobe® Test Tools o al rivenditore per informazioni sui costi delle riparazioni e sostituzioni.

Negli Stati Uniti

Amprobe Test Tools

Everett, WA 98203

Tel.: 877-AMPROBE (267-7623)

Nel Canada

Amprobe Test Tools

Mississauga, ON L4Z 1X9

Tel.: 905-890-7600

Sostituzioni e riparazioni non coperte dalla garanzia – Europa

Gli strumenti acquistati in Europa e non coperti dalla garanzia possono essere sostituiti dal rivenditore Amprobe® Test Tools per un importo nominale. Nella sezione "Where to Buy" del sito www.amprobe.com c'è un elenco dei distributori più vicini.

Recapito postale europeo*

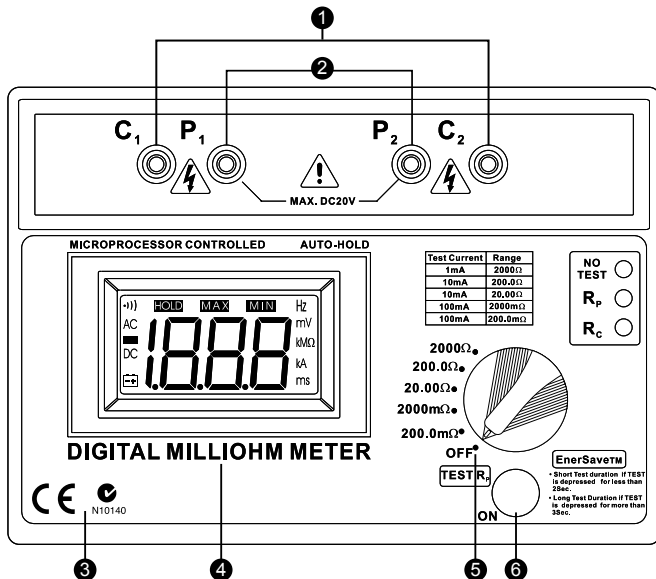
Amprobe® Test Tools Europe

In den Engematten 14

79286 Glotttetal, Germania

Tel.: +49 (0) 7684 8009-0

*(Solo per corrispondenza; non rivolgersi a questo indirizzo per riparazioni o sostituzioni. Si pregano i clienti europei di rivolgersi al proprio rivenditore.)



- 1** Terminali per l'applicazione di corrente **2** Terminali per l'applicazione di tensione
- 3** Risponde ai requisiti delle direttive CE sulle basse tensioni e sulla **4** Display a cristalli liquidi
- 5** compatibilità elettromagnetica **6** Avvio / arresto della misura
- Selettore rotativo

NO TEST <input type="radio"/>	Spia di sovratemperatura. Accesa = Sovratemperatura o interruzione della misura.
R _p <input type="radio"/>	Resistenza troppo alta tra i cavi di corrente (fusibile).
R _c <input type="radio"/>	Resistenza troppo alta tra i cavi di tensione.







⚠ ATTENZIONE

Se si illumina il LED "NO TEST", si è disinserito il generatore di corrente.

INDICE

SIMBOLI	2
AVVERTENZE E PRECAUZIONI	2
DISIMBALLAGGIO E ISPEZIONE	3
INTRODUZIONE	4
FUNZIONAMENTO	6
Preparazione all'uso	6
Controllo delle pile	6
Controllo del circuito di regolazione della corrente	6
Controllo del circuito di misure di tensione	6
Esecuzione delle misure.....	7
Cavi di misura	8
Cavi per misure di tensione forniti	8
Cavi per misure di corrente forniti.....	8
Effetti termici	9
DATI TECNICI	10
Dati tecnici elettrici.....	10
Dati tecnici meccanici	10
Condizioni ambientali nominali.....	11
MANUTENZIONE E RIPARAZIONI	12
Sostituzione delle pile	12
Sostituzione dei fusibili	13

SIMBOLI

	Attenzione. Vedere la spiegazione nel manuale
	Attenzione. Rischio di scossa elettrica
	Rimuovere tutti i cavi di misura prima di eseguire la manutenzione o la pulizia, sostituire le pile o il fusibile, ecc.
	Conforme alle norme australiane di pertinenza
	Conforme alle direttive della Comunità Europea
	Non smaltire questo prodotto assieme ad altri rifiuti solidi non differenziati. Rivolgersi a una ditta di riciclaggio qualificata

AVVERTENZA

Non usare questo strumento in presenza di benzina, gas naturale, propano o in altre atmosfere combustibili.

AVVERTENZE E PRECAUZIONI

Leggere attentamente il manuale prima di usare lo strumento.

- Questo strumento deve essere usato solo da una persona competente e adeguatamente addestrata che comprenda a fondo le procedure di analisi e misura.
- Leggere il manuale attentamente e per intero prima di usare lo strumento. Accertarsi di avere compreso le istruzioni prima di usare questo prodotto. Seguire le istruzioni specificate per ciascuna analisi. Prendere tutte le precauzioni necessarie. Non superare i limiti di questo strumento.
- Il circuito da analizzare deve essere diseccitato e isolato prima che si proceda alle connessioni.
- Non usare cavi di misura, sonde o morsetti a coccodrillo sporchi, danneggiati o con isolante incrinato. Tali accessori devono essere rimossi e riparati immediatamente.
- Scollegare sempre i cavi di misura prima di sostituire il fusibile o le pile.
- Sostituire sempre il fusibile con uno di tipo e portata identici; accertarsi che il fusibile si adatti senza problemi ai terminali.
- Verificare le posizioni degli interruttori e le connessioni dei cavi prima di procedere alle misure. Tracciare un diagramma per accertarsi che lo schema e la tecnica di misura siano corretti e chiari.

-
- Non toccare nessun cavo o connessione esposti o altre parti sotto tensione di un circuito elettrico. In caso di dubbio, controllare se il circuito è sotto tensione prima di toccarlo.

Precauzioni

- Accertarsi sempre che il circuito da analizzare sia disinserito, isolato e completamente diseccitato prima di collegare i cavi di misura.
- Se è probabile che il sistema di protezione dello strumento si è guastato a causa di danni elettrici, meccanici o ambientali, non usarlo; restituirlo al più vicino rivenditore per farlo controllare e riparare.
- Per prevenire danni al display a cristalli liquidi, non immagazzinare lo strumento a temperature minori di -20 °C. Tenere anche presente che sotto 0 °C il display funziona a rilento.

⚠ Attenzione. Rischio di scossa elettrica.

DISIMBALLAGGIO E ISPEZIONE

La confezione deve contenere:

- 1 milliohmmetro MO-100
- 1 cinghia da tracolla
- 1 cavo di misura (verde)
- 1 cavo di misura (rosso)
- 1 cavo di misura (blu)
- 1 cavo di misura (nero)
- 8 pila alcaline stilo (AA) da 1,5 V
- 1 fusibile di ricambio (0,5 A/250 V)
- 1 copia del manuale d'uso

Se uno di questi articoli è danneggiato o manca, restituire l'intera confezione al punto di acquisto perché venga sostituita.

INTRODUZIONE

- Questo milliohmometro è uno strumento a batteria che applica una corrente di limitata entità al circuito da analizzare permettendo di eseguire misure stabili e precise di resistenza in un ampio intervallo di valori.
- La risoluzione alla portata minima è pari a 100 μohm , mentre alla portata massima è pari a 1 ohm.
- Lo strumento ha cinque portate, da 200,0 milliohm a 2000 ohm.
- Le misure vengono visualizzate su un display a cristalli liquidi personalizzato a 3 cifre e mezzo di grandi dimensioni.
- Lo strumento funziona solo a pile (alcaline o ricaricabili equivalenti).
- Ha un generatore di corrente costante regolata in grado di applicare 1 mA, 10 mA e 100 mA.
- Lo strumento applica tale corrente alla resistenza da misurare attraverso i terminali C1 (+) e C2 (-).
- La caduta di tensione ai capi della resistenza da misurare viene misurata tra i terminali P1 (+) e P2 (-).
- Se la corrente cessa di essere regolata, si illumina il LED Rc, indicando che la resistenza nel circuito di corrente è troppo alta (si può eliminare il problema di regolazione riducendo la corrente, ossia selezionando una portata maggiore di resistenza).
- Se si illumina il LED Rp significa che la tensione misurata ai capi della resistenza è troppo alta e quindi esiste un sovraccarico.
- La resistenza viene misurata con precisione quando i LED Rp e Rc non si illuminano. Se uno di questi LED si illumina, la misura può essere imprecisa.
- Lo strumento incorpora un display a cristalli liquidi personalizzato a 3 cifre e mezzo visibili nella maggior parte delle condizioni di illuminazione, che indica le varie condizioni (tenuta, m, segnale acustico, polarità del carico, + o -, variazione automatica del punto decimale).
- Lo strumento esegue misure per 10 secondi se si preme il pulsante "ON" "TEST re" per meno di 2 secondi. Se si preme questo pulsante per più di 3 secondi, la misura viene eseguita per 60 secondi.
- Lo strumento si spegne quando si porta il selettore rotativo nella posizione "OFF".

-
- Lo strumento “tiene” l’ultima lettura prima di interrompere la misura.
 - Lo strumento è protetto con un fusibile e ha una barra di blocco tra C1 e C2.
 - La barra di blocco viene inserita dalla tensione; se questa è troppo alta, la barra di blocco fa intervenire automaticamente il fusibile per interrompere il circuito.
 - Il circuito tra P1 e P2 è pure protetto contro le sovratensioni ma non ha un fusibile.
 - Lo strumento ha un sistema di spegnimento da sovratemperatura; la rilevazione della temperatura è eseguita attraverso il transistor del circuito di regolazione della corrente.
 - Se il LED di sovratemperatura si illumina, lasciare raffreddare lo strumento prima di continuare a usarlo.
 - Il milliohmmetro, grazie alle portate che vanno da 100 μohm a 2000 ohm, è adatto per un’ampia gamma di applicazioni come:
 1. Misura della resistenza degli avvolgimenti di motori elettrici, generatori e trasformatori.
 2. Misura del collegamento equipotenziale in impianti minerari, di aeroplani, ferroviari, di imbarcazioni, domestici e industriali.
 3. Verifica della continuità principale dell’anello nei cablaggi di impianti domestici e industriali.
 4. Misure di resistenza in apparecchiature elettroniche come shunt, guide di schede di circuiti, commutatori e relè.
 5. Verifica di giunzioni a compressione in linee aeree.
 6. Misure e manutenzione di apparecchiature di quadri di commutazione/sottostazioni su elementi quali fusibili, giunzioni, contatti e collegamenti equipotenziali.

FUNZIONAMENTO

Preparazione all'uso

Quando si apre la confezione, verificare che lo strumento non abbia danni visibili ed eseguire le verifiche preliminari descritte nel manuale d'uso per accertarsi che funzioni correttamente. Se si riscontrano danni o se lo strumento non funziona bene, restituirlo al rivenditore.

Controllo delle pile

Se sul display compare il simbolo della batteria, sostituire le pile con pile alcaline nuove prima di procedere.

Controllo del circuito di regolazione della corrente

- Collegare i cavi della corrente a C1 e C2.
- Selezionare una portata e mettere in cortocircuito tra di loro i cavi. Il LED RC deve spegnersi, indicando che il circuito di regolazione della corrente funziona bene.

Controllo del circuito di misure di tensione

- Collegare i cavi della tensione a P1 e P2.
- Mettere in cortocircuito tra di loro i cavi tra P1 e P2. Il display deve indicare 0000.
- Rimuovere il cortocircuito da P1 e P2 e da C1 e C2. Se si collega il cavo P1 con C1 e il cavo P2 con C2 il LED RP si deve illuminare, indicando una sovratensione o un sovraccarico.

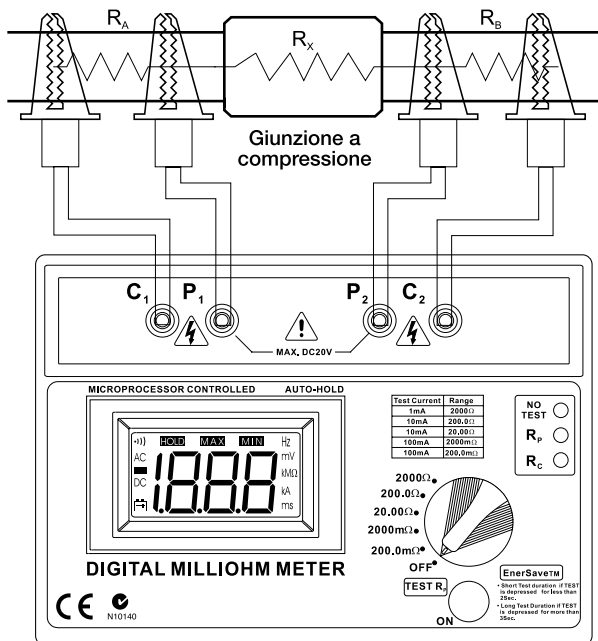
Questa verifica può essere ripetuta per tutte le portate se necessario.

Inoltre è possibile verificare l'indicazione di polarità del millivoltmetro collegando il cavo P1 con C2 e il cavo P2 con C1; il LED RP si deve illuminare, indicando una sovratensione o un sovraccarico. Sul display deve comparire l'indicazione - per mostrare il cambio di polarità.

Si può eseguire una verifica totale mettendo tra di loro in cortocircuito tutti i cavi di misura: C1, C2, P1, P2. L'indicazione del display deve essere prossima 0000 (a seconda dei morsetti a coccodrillo adoperati e di come sono messi in cortocircuito). Entrambi i LED RC e RP devono essere spenti, indicando che tutti i circuiti funzionano bene.

Esecuzione delle misure

- Effettuare le verifiche preliminari prima di procedere con le misure e accertarsi di prendere le precauzioni specificate.
- Collegare i cavi di misura (codificati a colori) allo strumento come illustrato.
- I cavi di misura della corrente devono essere sempre all'esterno dei cavi di misura della tensione.
- Tenere presente che quanto più corti sono i cavi di misura della tensione, tanto maggiore è la sensibilità con cui cavi di misura lunghi rilevano rumore.
- Ai fini di una migliore reiezione del rumore ambientale si suggerisce di usare cavi di misura schermati.



Cavi di misura

I cavi di misura forniti con lo strumento sono adatti per il collegamento con conduttori di diametro sino a 17 mm o con barre di distribuzione di spessore sino a 17 mm. Nei casi in cui i componenti da analizzare richiedono ganasce più grandi, è consigliabile costruire cavi appositi. Nei casi in cui occorrono cavi più lunghi a causa della geometria dei componenti da analizzare, seguire queste indicazioni:

- La lunghezza dei cavi di tensione deve essere quanto più piccola possibile.
- Si suggerisce di usare cavi in rame stagnato 16/0,2 mm.
- I due cavi di tensione devono essere della stessa lunghezza, per ridurre al minimo le imprecisioni dovute allo sbilanciamento.

Cavi per misure di tensione forniti

- Il cavo di misura P1+ è di colore rosso, schermato, con spinotto di sicurezza da 4 mm dotato all'estremità di un morsetto a coccodrillo per il collegamento alla resistenza da misurare. L'altra estremità va collegata al jack codificato a colori (schermato da 4 mm) dello strumento.
- Il cavo di misura P2- è di colore blu, schermato, con spinotto di sicurezza da 4 mm dotato all'estremità di un morsetto a coccodrillo per il collegamento alla resistenza da misurare. L'altra estremità va collegata al jack codificato a colori (schermato da 4 mm) dello strumento.

Cavi per misure di corrente forniti

- Il cavo di misura C1+ è di colore verde, schermato, con spinotto di sicurezza da 4 mm dotato all'estremità di un morsetto a coccodrillo per il collegamento alla resistenza da misurare. L'altra estremità va collegata al jack codificato a colori (schermato da 4 mm) dello strumento.
- Il cavo di misura C2- è di colore nero, schermato, con spinotto di sicurezza da 4 mm dotato all'estremità di un morsetto a coccodrillo per il collegamento alla resistenza da misurare. L'altra estremità va collegata al jack codificato a colori (schermato da 4 mm) dello strumento.

Effetti termici

- La temperatura può avere un effetto notevole sulle prestazioni di un milliohmmetro, a causa del coefficiente di temperatura della resistenza da misurare e della forza elettromotrice che si genera fra conduttori diversi.
- La maggior parte dei conduttori ha un coefficiente di temperatura notevole. Ad esempio, $0,4\%/^{\circ}\text{C}$ per il rame. Un conduttore di rame con resistenza di $10,00$ milliohm a 20°C passa a $10,40$ milliohm a 30°C . Occorre tenere presente questa variazione quando si eseguono misure.
- Quando in una resistenza c'è corrente, la sua temperatura aumenta. Quindi la durata della misura può fare variare la resistenza.
- Quando si misura la resistenza di un componente, ad esempio una resistenza di shunt, che ha giunzioni tra conduttori diversi, la forza elettromotrice di natura termica può influire sulla precisione della misura. Questa condizione può essere rilevata se la lettura cambia quando si scambiano i cavi. Per compensare questo effetto, calcolare la media di due letture per determinare la vera misura.

DATI TECNICI

Dati tecnici elettrici

Portate

0 - 200,0 milliohm con incrementi di 100 μ ohm

0 - 2000 milliohm con incrementi di 1 milliohm

0 - 20,00 ohm con incrementi di 10 milliohm

0 - 200,0 ohm con incrementi di 100 milliohm

0 - 2000 ohm con incrementi di 1 ohm

Precisione

$\pm 0,5\%$ della lettura ± 2 cifre nell'intervallo delle temperature di funzionamento, da $-15\text{ }^{\circ}\text{C}$ a $+55\text{ }^{\circ}\text{C}$, con i cavi di misura in dotazione

Corrente di misura

1 mA \Rightarrow portata di 2000 ohm

10 mA \Rightarrow portate di 200/20 ohm

100 mA \Rightarrow portate di 2000/200 milliohm

Precisione della corrente di misura $\pm 0,1\%$

Fusibili

Alimentazione = 0,5 A, elevata capacità di interruzione, 5 x 20 mm, DIN

Corrente = 0,5 A, elevata capacità di interruzione, 5 x 20 mm, DIN

Tensione = 0,5 A, elevata capacità di interruzione, 5 x 20 mm, DIN

Sicurezza: a norma CE

Dati tecnici meccanici

Dimensioni: 110 mm x 250 mm x 190 mm (A x L x P)

Prova di caduta: IEC 61010-1, sezione 8.3

Prova di impatto: IEC 61010-1, sezione 8.2.2

Peso: 1,542 kg

Condizioni ambientali nominali

1. Uso al coperto
2. Grado di inquinamento 2
3. Altitudine: sino a 2000 metri
4. Umidità relativa: 80% max
5. Temperatura ambiente: 0 °C ~ 40 °C



LVD: a norma EN61010-1:2010; EN61010-2-030:2010.

Compatibilità elettromagnetica: a norma EN61326-1.

Questo prodotto è conforme ai requisiti delle seguenti direttive della Comunità Europea: 2004/108/CE (Compatibilità elettromagnetica) e 2006/95/CE (Direttiva sulla bassa tensione) (marchio CE). Tuttavia, rumore elettrico o campi elettromagnetici intensi vicino all'apparecchio possono disturbare il circuito di misura. Inoltre gli strumenti di misura risponderanno a segnali indesiderati che possono essere presenti nel circuito di misura. Gli utenti devono esercitare cautela e prendere le opportune precauzioni per evitare risultati falsi quando si eseguono misure in presenza di interferenze elettroniche.

MANUTENZIONE E RIPARAZIONI

Se sembra che lo strumento non funzioni bene, procedere come segue per individuare la causa del problema:

1. Controllare le pile; sostituirle immediatamente quando sul display compare l'icona "🔋".
2. Rileggere le istruzioni per l'uso, per accertarsi di non avere compiuto operazioni sbagliate.

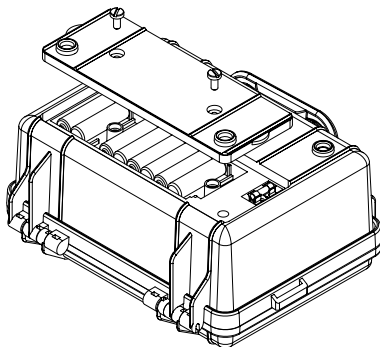
Tranne che per la sostituzione delle pile, ogni intervento sullo strumento deve essere eseguito solo da un centro di assistenza autorizzato dalla fabbrica o da altro personale di manutenzione qualificato.

Il pannello anteriore e l'involucro possono essere puliti con una soluzione di detergente neutro e acqua.

Applicare in quantità moderata con un panno morbido e lasciare asciugare completamente prima dell'uso. Non utilizzare idrocarburi aromatici o solventi clorurati per la pulizia.

SOSTITUZIONE DELLE PILE

1. Scollegare i cavi di misura dallo strumento e togliere il coperchio dello scomparto delle pile.
2. Rimuovere le pile.
3. Sostituirle con otto pile stilo (AA) da 1,5 V, prestando attenzione a rispettare la giusta polarità (si suggerisce l'uso di pile alcaline).
4. Riposizionare il supporto delle pile e il coperchio dello scomparto.



SOSTITUZIONE DEI FUSIBILI

La massima tensione continua applicabile tra i terminali di tensione e di corrente è pari a circa 10,7 V; una tensione superiore fa intervenire i rispettivi fusibili.

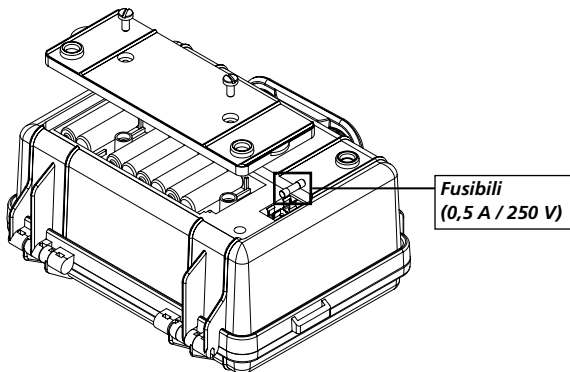
Tuttavia il punto di intervento della barra di blocco può essere regolato in fabbrica secondo la specifica applicazione.

Si prevengono così danni allo strumento in caso di abuso.

Lo strumento ha tre fusibili:

- **Fusibile del circuito di alimentazione**

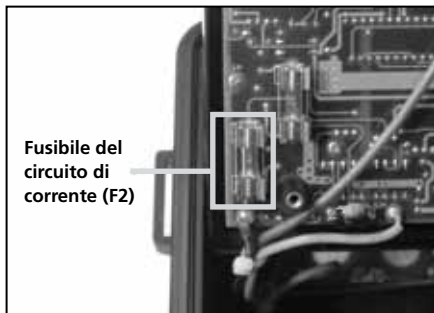
Questo fusibile è situato sotto il coperchio dello scomparto delle pile. Aprire il coperchio e costituire il fusibile con uno dello stesso tipo (0,5 A, > 24 V, intervento lento)



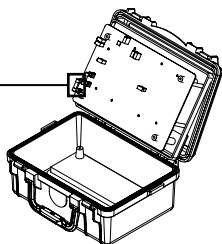
- **Fusibile del circuito di corrente**

Protegge il circuito tra i terminali della corrente. È situato sotto la scheda di circuiti stampati. Per accedere a questo fusibile, svitare le quattro viti di fissaggio del pannello anteriore. Due di queste viti sono situate sotto i piedini, le altre due all'interno dello scomparto delle pile.

L'intervento del fusibile è causato dalla barra di blocco, se alla resistenza da misurare è applicata una tensione eccessiva, per prevenire danni allo strumento. Se il fusibile interviene, il LED Rc rimane acceso. (Fusibile a elevata capacità di interruzione, 0,5 A, 250 V c.a., intervento lento.)



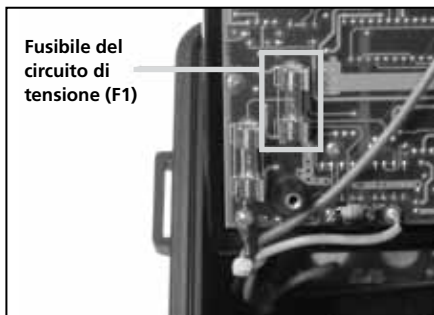
Fusibile del
circuito di
corrente (F2)



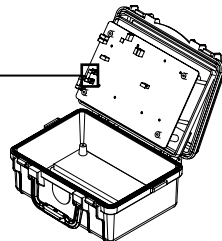
- **Fusibile del circuito di tensione**

Protegge il circuito tra i terminali della tensione. È situato sotto la scheda di circuiti stampati. Per accedere a questo fusibile, svitare le quattro viti di fissaggio del pannello anteriore. Due di queste viti sono situate sotto i piedini, le altre due all'interno dello scomparto delle pile.

L'intervento del fusibile è causato dalla barra di blocco, se alla resistenza da misurare è applicata una tensione eccessiva, per prevenire danni allo strumento. Se quando si eseguono le verifiche preliminari il LED RP non si illumina, significa che il fusibile è intervenuto. (Fusibile a elevata capacità di interruzione, 0,5 A, 250 V c.a., intervento lento.)



Fusibile del
circuito di
tensione (F1)





MO-100

Miliohmímetro

Manual de uso

8/2013, Rev.2
©2013 Amprobe Test Tools.
Reservados todos los derechos. Impreso en Taiwán.

Español

Garantía limitada y limitación de responsabilidad

Su producto Amprobe estará libre de defectos de material y mano de obra durante 1 año a partir de la fecha de compra. Esta garantía no cubre fusibles, baterías desechables ni daños que sean consecuencia de accidentes, negligencia, uso indebido, alteración, contaminación o condiciones anormales de uso o manipulación. Los revendedores no están autorizados a extender ninguna otra garantía en nombre de Amprobe. Para obtener servicio durante el periodo de garantía, devuelva el producto con un comprobante de compra a un centro de servicio de equipos de comprobación autorizado por Amprobe o a un concesionario o distribuidor de Amprobe. Consulte la sección Reparación para obtener información más detallada. ESTA GARANTÍA CONSTITUYE SU ÚNICO RESARCIMIENTO. TODAS LAS DEMÁS GARANTÍAS, TANTO EXPRESAS, IMPLÍCITAS COMO ESTATUTARIAS, INCLUYENDO LAS GARANTÍAS IMPLÍCITAS DE IDONEIDAD PARA UN PROPÓSITO DETERMINADO O COMERCIALIZACIÓN, QUEDAN POR LA PRESENTE DESCONOCIDAS. EL FABRICANTE NO SERÁ RESPONSABLE DE NINGÚN DAÑO O PÉRDIDA, YA SEA ESPECIAL, INDIRECTO, CONTINGENTE O RESULTANTE QUE SURJA DE CUALQUIER CAUSA O TEORÍA. Debido a que determinados estados o países no permiten la exclusión o limitación de una garantía implícita o de los daños contingentes o resultantes, esta limitación de responsabilidad puede no regir para usted.

Reparación

Todas las herramientas de prueba devueltas para reparación bajo la garantía o fuera de garantía, o devueltas para calibración, deben ir acompañadas de lo siguiente: su nombre, el nombre de su compañía, la dirección, el número de teléfono y la prueba de compra. Además, incluya una breve descripción del problema o del servicio solicitado y los conductores de prueba del medidor. Los gastos en concepto de reparación o reemplazo fuera de garantía deben remitirse en forma de cheque, giro postal, tarjeta de crédito con fecha de vencimiento o una orden de compra pagadera a Amprobe® Test Tools.

Reparaciones y reemplazos cubiertos por la garantía (todos los países)

Sírvase leer la declaración de garantía y compruebe su batería antes de solicitar la reparación. Durante el período de garantía, cualquier herramienta de comprobación defectuosa puede ser devuelta a su distribuidor de Amprobe® Test Tools para un intercambio por el mismo producto u otro similar. Consulte la sección "Dónde comprar" en www.amprobe.com para ver una lista de distribuidores locales. Asimismo, las unidades de reparación en garantía y de reemplazo en Estados Unidos y Canadá también pueden enviarse al centro de servicio Amprobe® Test Tools (consulte la dirección más abajo).

Reparaciones y reemplazos no cubiertos por la garantía (Estados Unidos y Canadá)

Las reparaciones fuera de la garantía en Estados Unidos y Canadá deben enviarse a un centro de servicio de Amprobe® Test Tools. Llame a Amprobe® Test Tools o consulte en su punto de compra para conocer las tarifas actuales de reparación y reemplazo.

En EE.UU.

Amprobe Test Tools

Everett, WA 98203

Tel.: 877-AMPROBE (267-7623)

En Canadá

Amprobe Test Tools

Mississauga, ON L4Z 1X9

Tel.: 905-890-7600

Reparaciones y reemplazos no cubiertos por la garantía (Europa)

El distribuidor de Amprobe® Test Tools puede reemplazar las unidades vendidas en Europa no cubiertas por la garantía por un costo nominal. Consulte la sección "Dónde comprar" en www.amprobe.com para ver una lista de distribuidores locales.

Dirección para envío de correspondencia en Europa*

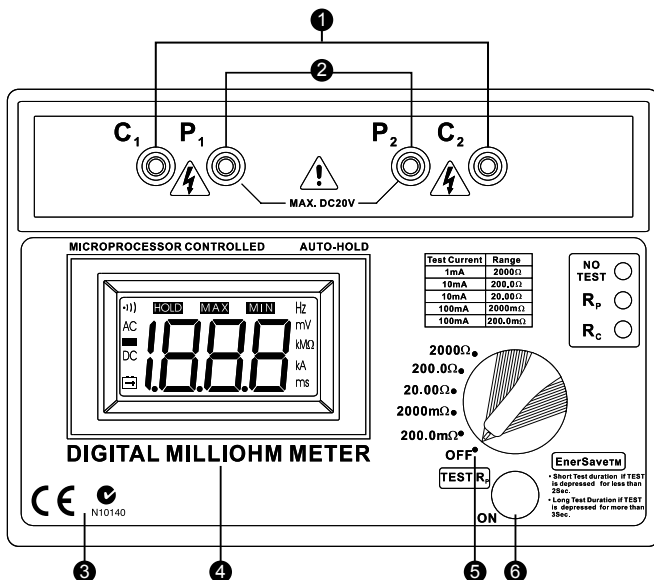
Amprobe® Test Tools Europe

In den Engematten 14

79286 Glotttetal, Alemania

Tel.: +49 (0) 7684 8009-0

*(Correspondencia solamente. En esta dirección no se proporcionan reparaciones ni reemplazos. Los clientes europeos deben ponerse en contacto con su distribuidor).



- 1** Terminales de inyección de corriente
- 2** Terminales de inyección de potencial
- 3** Cumple los requisitos de baja tensión y compatibilidad electromagnética
- 4** Pantalla de cristal líquido
- 5** Interruptor selector giratorio
- 6** Iniciar / Detener la prueba

NO TEST <input type="radio"/>	Indicador de exceso de temperatura. Iluminado = Hay un exceso de temperatura o se ha detenido la prueba.
R _p <input type="radio"/>	La resistencia entre los conductores de corriente es demasiado alta (fusible).
R _c <input type="radio"/>	La resistencia entre los conductores de potencial es demasiado alta.







⚠️ ¡PRECAUCIÓN!

Si está iluminado el LED "NO TEST", se ha detenido la fuente de corriente.

ÍNDICE

SÍMBOLOS	2
AVISOS DE ATENCION Y PRECAUCION	2
DESEMBALAJE E INSPECCIÓN	3
INTRODUCCIÓN	4
FUNCIONAMIENTO	6
Preparación para el uso	6
Verifique la batería	6
Verifique la regulación de la corriente.....	6
Verifique la medición de la tensión	6
Medición.....	7
Conductores de prueba	8
Conductores de prueba de potencial suministrados	8
Conductores de prueba de corriente suministrados.....	8
Efectos térmicos	9
ESPECIFICACIONES	10
Eléctricas	10
Mecánicas	10
Condiciones medioambientales nominales	11
MANTENIMIENTO Y REPARACIÓN	12
Reemplazo de baterías	12
Reemplazo de los fusibles	13

SÍMBOLOS

	¡Precaución! Consulte la explicación incluida en este manual
	Precaución: Riesgo de descarga eléctrica
	Retire todos los conductores de prueba antes de realizar el mantenimiento, la limpieza, el reemplazo de la batería, el reemplazo del fusible, etc.
	Cumple las normas australianas relevantes
	Cumple las directivas europeas
	No se deshaga de este producto utilizando los servicios municipales de recolección de desechos sin clasificar. Póngase en contacto con un reciclador calificado para desecharlo.

¡ADVERTENCIA!

No utilice este instrumento en presencia de gasolina, gas natural, propano o en otras atmósferas combustibles.

AVISOS DE ATENCIÓN Y PRECAUCIÓN

Consulte este manual antes de utilizar la unidad.

- Este instrumento sólo debe ser utilizado por una persona competente, correctamente formada, que comprenda cabalmente el procedimiento de prueba y medición.
- Lea todo el manual de uso detenidamente antes de usar el instrumento. Comprenda cabalmente las instrucciones antes de utilizar este producto. Siga las instrucciones de cada prueba. Tome todas las precauciones necesarias. No exceda los límites de este instrumento.
- El circuito sometido a prueba debe estar desactivado y aislado para poder realizar conexiones.
- No utilice conductores de prueba, sondas ni pinzas de conexión que estén sucios, dañados o tengan un aislamiento roto o agrietado. Dichos accesorios deben retirarse y repararse de inmediato.
- Desconecte siempre los conductores de prueba antes de reemplazar cualquier fusible o batería.
- Reemplace siempre el fusible con otro del mismo tipo y valor nominal; asegúrese de que esté correctamente colocado en los terminales del fusible.

-
- Verifique por duplicado la posición del interruptor y las conexiones de los conductores antes de medir. Haga un esquema para asegurarse del correcto funcionamiento y de que se haya comprendido cabalmente el principio de medición y éste sea correcto.
 - No toque ningún cableado expuesto, conexiones u otras partes con corriente de un circuito eléctrico. En caso de duda, verifique la tensión del circuito antes de tocarlo.

Precauciones

- Asegúrese siempre de que el circuito que desea medir esté apagado, aislado y completamente desconectado antes de conectar los conductores de prueba.
- Si es probable que la protección del instrumento haya resultado perjudicada debido a daños eléctricos, mecánicos o medioambientales, no lo utilice. Deberá devolverse al distribuidor o agente más cercano para su verificación y reparación.
- Para evitar daños a la pantalla de cristal líquido, deberá respetarse la temperatura mínima de almacenamiento de -20 °C. También debe tenerse en cuenta que por debajo de los 0 °C el funcionamiento de la pantalla LCD será muy lento.

⚠ Advertencia, riesgo de descarga eléctrica.

DESEMBALAJE E INSPECCIÓN

La caja de envío debe incluir:

- 1 Miliohmímetro MO-100
- 1 Correa para el hombro
- 1 Conductor de prueba (color verde)
- 1 Conductor de prueba (color rojo)
- 1 Conductor de prueba (color azul)
- 1 Conductor de prueba (color negro)
- 8 Batería alcalina (TAMAÑO AA, 1,5 V)
- 1 Fusible de repuesto (0,5 A/ 250 V)
- 1 Manual de uso

Si alguno de los elementos estuviera dañado o faltara, devuelva el paquete completo al lugar de compra para hacer un cambio.

INTRODUCCIÓN

- El miliohmímetro es un instrumento que funciona con baterías y suministra una corriente baja al circuito sometido a prueba, con el cual se puede hacer una medición estable y exacta de resistencias bajas, a lo largo de un amplio rango de valores.
- La resolución en el rango más bajo es de 100μ ohmios y en el rango más alto de 1 ohmio.
- El multímetro tiene 5 rangos de medición, de 200,0 miliohmios a 2.000 ohmios.
- Las mediciones se muestran en una pantalla personalizada de cristal líquido de $3\frac{1}{2}$ dígitos, con dígitos grandes.
- Este instrumento se alimenta exclusivamente con baterías (alcalinas o equivalente recargable).
- Tiene una fuente de corriente constante de CC regulada, con una corriente de 1 mA, 10 mA y 100 mA.
- El instrumento suministra dicha corriente a la resistencia que se está midiendo por medio de los terminales C1 y C2 (donde C1 es +, y C2 es -).
- La caída de tensión a través de la resistencia sometida a prueba se mide con los terminales de potencial P1 y P2 (donde P1 es +, y P2 es -).
- En caso de desaparecer la regulación de la corriente, se iluminará el LED Rc para indicar que la resistencia del circuito de corriente es demasiado alta. (Disminuir la corriente mediante la selección de un rango de resistencia más alto puede resolver la regulación.)
- En caso de iluminarse el LED Rp, esto significa que la tensión medida en la resistencia es demasiado alta, y por lo tanto, se ha superado el rango.
- La resistencia se mide con exactitud cuando no se iluminan los LED RP y RC. Si alguno de estos indicadores LED está encendido, la medición puede ser inexacta.
- El medidor tiene integrada una pantalla personalizada de cristal líquido de $3\frac{1}{2}$ dígitos que puede verse en la mayoría de las condiciones de iluminación. Esta pantalla indica distintas situaciones (retención, m, zumbador, polaridad de la carga, + o -, cambio automático del punto decimal).
- El instrumento toma mediciones durante 10 segundos si se mantiene pulsado el botón "ON" "TEST re" durante menos de 2 segundos. Si se mantiene pulsado el mismo botón durante más de 3 segundos, la prueba continuará durante 60 segundos.

-
- El interruptor del comprobador se apaga completamente cuando el interruptor giratorio se encuentra en la posición "OFF".
 - El comprobador retiene la última lectura usando la función "Hold" antes de interrumpir la prueba.
 - El comprobador está protegido con fusibles y tiene una protección contra sobretensiones entre C1 y C2.
 - Esta protección se activa con la tensión. Si la tensión es demasiado alta, la protección quemará el fusible automáticamente para interrumpir el circuito.
 - La tensión entre P1 y P2 también está protegida contra sobretensiones, pero no tiene fusible.
 - El comprobador tiene apagado por temperatura. La detección de la temperatura se hace mediante el transistor de regulación de corriente.
 - Si se enciende este LED de temperatura excesiva, deje que el instrumento se enfríe antes de continuar.
 - El miliohmímetro, con su rango de medición de 100 u ohmios a 2.000 ohmios, es apto para un amplio rango de aplicaciones como:
 1. Medición de la resistencia del devanado de motores eléctricos, generadores y transformadores.
 2. Pruebas de conexión a tierra en minas, aeronaves, ferrocarriles, embarcaciones, instalaciones de cableado doméstico e industrial.
 3. Medición de pruebas de continuidad principal del anillo en instalaciones de cableado industrial y doméstico.
 4. Medición de la resistencia en equipo electrónico: derivaciones, pistas pcb, interruptores y resistencia de relés.
 5. Verificación de juntas de compresión en tendidos aéreos.
 6. Pruebas y mantenimiento de equipos de conmutadores/subestaciones en artículos como fusibles, juntas, contactos y tomas de tierra.

FUNCIONAMIENTO

Preparación para el uso

Cuando se desembala, el comprobador debe inspeccionarse en busca de cualquier signo visible de daños, y deben realizarse las verificaciones preliminares descritas en el manual de uso para asegurar un correcto funcionamiento. Si hay signos de daño, o si el instrumento no funciona correctamente, devuélvalo al proveedor más cercano.

Verifique la batería

Si el símbolo de batería aparece en la pantalla LCD, reemplace las baterías con baterías alcalinas nuevas antes de continuar.

Verifique la regulación de la corriente

- Conecte los conductores de corriente a C1 y C2.
- Seleccione un rango y ponga los conductores de prueba de corriente en cortocircuito. El LED RC debería apagarse, indicando que la regulación de corriente es correcta.

Verifique la medición de la tensión

- Conecte los conductores de potencial a P1 y P2.
- Ponga P1 y P2 en cortocircuito. La pantalla debería indicar 0000.
- Retire el cortocircuito de P1 y P2, y de C1 y C2. Al tocar los conductores de prueba de potencial P1 a C1 y P2 a C2, el LED RP debería iluminarse, indicando una sobretensión o sobrerango.

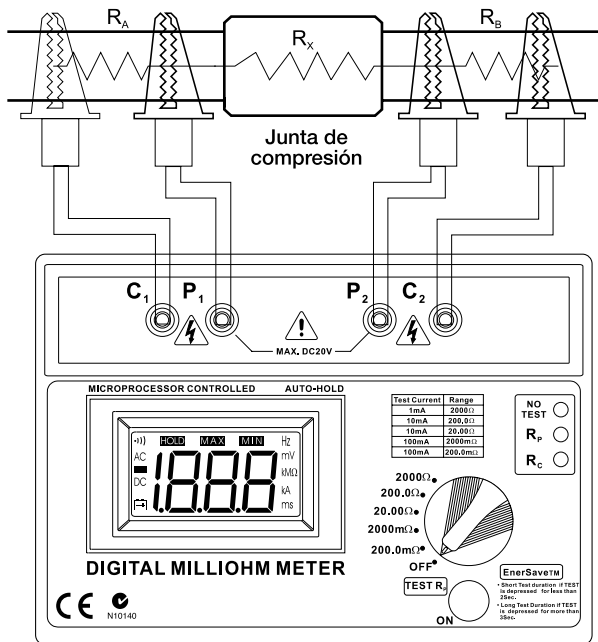
Esta comprobación puede repetirse para todos los rangos, en caso de ser necesario.

También puede verificar la indicación de polaridad del milivoltímetro tocando los conductores de prueba de potencial P1 a C2 y P2 a C1; el LED RP debería iluminarse, indicando una sobretensión o sobrerango. El indicador - debería indicar - en la pantalla LCD para indicar el cambio en la polaridad.

Puede hacerse una verificación total poniendo en cortocircuito todos los conductores de prueba entre sí: C1, C2, P1, P2. La pantalla debería indicar un valor próximo a 0000 (dependiendo de las pinzas de conexión utilizadas y cómo se aplica el cortocircuito). Tanto el LED RC como el LED RP deben estar apagados, indicando que todo está funcionando correctamente.

Medición

- Realice las verificaciones preliminares antes de proceder con la medición y asegúrese de que se hayan observado las precauciones indicadas.
- Conecte los conductores de prueba (codificados con colores) al instrumento, tal como se muestra.
- Los conductores de prueba de corriente siempre deben estar fuera de los conductores de prueba de potencial.
- Tenga en cuenta que cuando más cortos sean los conductores de prueba de potencial, mejor detectarán el ruido los conductores de prueba de potencial más largos.
- Se recomiendan conductores de prueba blindados para rechazar mejor el ruido medioambiental.



Conductores de prueba

Los conductores de prueba suministrados con el instrumento son aptos para conectar a conductores de hasta 17 mm de diámetro o barras de bus de 17 mm de grosor. Habrá situaciones en las que el elemento medido requerirá mordazas más grandes, y se aconseja que el usuario prepare sus propios conductores. También habrá situaciones en las que se requieren conductores más largos debido a la geometría del elemento sometido a prueba. Algunas indicaciones que pueden resultarle útiles para montar dichos conductores:

- Los conductores de potencial deberá ser lo más cortos posibles.
- Se recomienda el uso de cables de cobre estañado, aislado, de 16/0,2 mm.
- Los dos conductores de potencial deben tener la misma longitud para minimizar las imprecisiones debidas a desequilibrio.

Conductores de prueba de potencial suministrados

- El conductor de prueba P1+ es de color rojo, blindado, con un enchufe de seguridad de 4 mm que tiene una pinza de conexión en un extremo para conectar a la resistencia que se desea medir. El otro extremo se enchufa en las tomas del medidor (4 mm, blindado) codificadas con colores.
- El conductor de prueba P2- es de color azul, blindado, con un enchufe de seguridad de 4 mm que tiene una pinza de conexión en un extremo para conectar a la resistencia que se desea medir. El otro extremo se enchufa en las tomas del medidor (4 mm, blindado) codificadas con colores.

Conductores de prueba de corriente suministrados

- El conductor de prueba C1+ es de color verde, blindado, con un enchufe de seguridad de 4 mm que tiene una pinza de conexión en un extremo para conectar a la resistencia que se desea medir. El otro extremo se enchufa en las tomas del medidor (4 mm, blindado) codificadas con colores.
- El conductor de prueba C2- es de color negro, blindado, con un enchufe de seguridad de 4 mm que tiene una pinza de conexión en un extremo para conectar a la resistencia que se desea medir. El otro extremo se enchufa en las tomas del medidor (4 mm, blindado) codificadas con colores.

Efectos térmicos

- La temperatura puede tener un efecto significativo en el funcionamiento de un miliohmímetro debido al coeficiente de temperatura de la resistencia sometida a prueba y a los campos electromagnéticos térmicos de los diferentes conductores.
- La mayoría de los conductores tiene un elevado coeficiente de temperatura para la resistencia. Por ejemplo: $0,4\%/^{\circ}\text{C}$ para el cobre. Un conductor de cobre que tiene una resistencia de $10,00\text{ m ohmios}$ a $20\text{ }^{\circ}\text{C}$ aumentará a $10,40\text{ m ohmios}$ a $30\text{ }^{\circ}\text{C}$. Este cambio debe tenerse en cuenta al realizar mediciones.
- Una corriente que pasa por una resistencia también eleva su temperatura. Por lo tanto, la duración de la prueba pueda cambiar la resistencia.
- Al medir la resistencia de un elemento, como por ejemplo derivaciones de corriente que utilizan diferentes juntas de conductores, el campo electromagnético térmico puede afectar a la exactitud de la medición. Esta situación puede detectarse si se altera la lectura al invertirse los conductores. Para compensar este efecto, debe tomarse el promedio de dos lecturas como la medición correcta.

ESPECIFICACIONES

Eléctricas

Rangos de medición:

- 0 - 200,0 m ohmios en pasos de 100 μ ohmios
- 0 - 2000 m ohmios en pasos de 1 m ohmios
- 0 - 20,00 m ohmios en pasos de 10 m ohmios
- 0 - 200,0 m ohmios en pasos de 100 m ohmios
- 0 - 2000 ohmios en pasos de 1 ohmio

Precisión:

$\pm 0,5$ % de la lectura ± 2 dígitos a lo largo del rango de temperatura de funcionamiento, de -15 °C a $+55$ °C, con los conductores de prueba suministrados

Corriente de comprobación:

- 1 mA => rango de 2000 ohmios
- 10 mA => rangos de 200 / 20 ohmios
- 100 mA => rangos de 2000 m / 200 m ohmios

Precisión de la corriente de prueba: $\pm 0,1$ %

Fusibles de protección:

- Suministro = 0,5 A, HBC, 5 x 20 mm, DIN
- Corriente = 0,5 A, HBC, 5 x 20 mm, DIN
- Tensión = 0,5 A, HBC, 5 x 20 mm, DIN

Seguridad: Cumple la normativa CE

Mecánicas

Tamaño de la carcasa: 110 mm (alto) X 250 mm (ancho) X 190 mm (profundidad)

Prueba de caída: IEC 61010-1, cláusula 8.3

Prueba de impacto: IEC 61010-1, cláusula 8.2.2

Peso: 1,542 kg

Condiciones medioambientales nominales

1. Uso en interiores
2. Grado de contaminación 2
3. Altitud de hasta 2000 metros
4. Humedad relativa de 80 % máx
5. Temperatura ambiente de 0 °C ~ 40 °C



LVD: Cumple la norma EN61010-1:2010; EN61010-2-030:2010.

Compatibilidad electromagnética: Cumple la norma EN61326-1.

Este producto cumple los requisitos de las siguientes directivas de la Comunidad Europea: 2004/108/EC (Compatibilidad electromagnética) y 2006/95/EC (Directiva de bajo voltaje) (marca CE). No obstante, la presencia de impulsos eléctricos o campos electromagnéticos intensos cerca del equipo puede afectar al funcionamiento del circuito de medición. Los instrumentos de medición también responden ante señales no deseadas que estén presentes en el circuito de medición. Los usuarios deben obrar con cuidado y tomar las precauciones adecuadas para evitar resultados erróneos al medir en presencia de interferencias electrónicas.

MANTENIMIENTO Y REPARACIÓN

Si parece que el medidor no funciona bien, realice los pasos siguientes para identificar la causa del problema:

1. Compruebe la batería. Reemplace la batería inmediatamente cuando aparezca el símbolo "E" en la pantalla LCD.
2. Repase las instrucciones de funcionamiento por si hubiera cometido algún error en algún procedimiento.

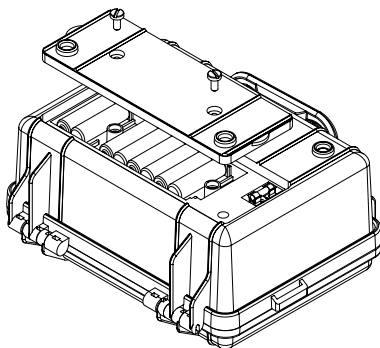
Excepto el cambio de la batería, cualquier otra reparación del medidor deberá llevarla a cabo exclusivamente un centro de servicio autorizado por la fábrica u otro personal cualificado para reparación de instrumentos.

El panel frontal y la caja pueden limpiarse con una solución suave de detergente y agua.

Aplique sólo una pequeña cantidad de dicha solución con un paño suave y séquelo por completo antes de su utilización. No utilice hidrocarburos aromáticos, gasolina ni solventes clorados para la limpieza.

REEMPLAZO DE BATERÍAS

1. Desconecte los conductores de prueba del instrumento y retire la tapa de la batería y las baterías.
2. La batería del comprobador está situada debajo del instrumento.
3. Reemplace con ocho baterías ligeras AA de 1,5V, con cuidado de respetar la polaridad correcta. (Se recomiendan baterías alcalinas.)
4. Vuelva a instalar el soporte de las baterías y la tapa del compartimiento.



REEMPLAZO DE LOS FUSIBLES

La máxima tensión continua que puede aplicarse a través de los conductores de potencial y corriente es de aproximadamente 10,7 V. Si se aplica una tensión superior, los respectivos fusibles se quemarán automáticamente.

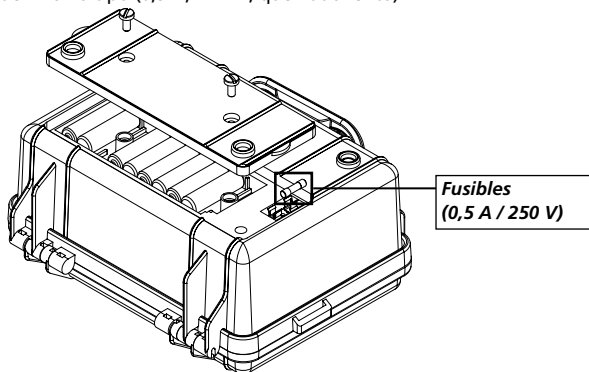
No obstante, el activador de protección contra sobretensión puede ajustarse en la fábrica conforme a la aplicación específica que se le dé.

Hemos seleccionado este método especialmente para no causar daños al instrumento, en caso de uso indebido.

Hay tres fusibles:

- **Fusible del suministro eléctrico**

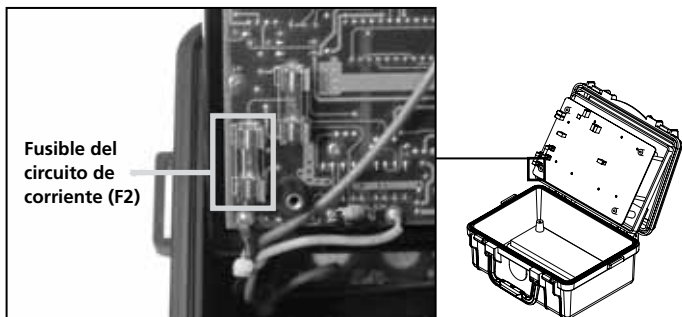
El fusible del suministro eléctrico está situado debajo del instrumento. Abra el compartimento de las baterías y reemplace el fusible con otro del mismo tipo (0,5 A, > 24 V, quemado lento)



- **Fusible del circuito de corriente**

Se proporciona protección por fusibles en los terminales de corriente. Este fusible está situado debajo de la tarjeta de circuitos impresos. Para acceder al mismo, deberá desatornillar los cuatro tornillos de montaje que sujetan el panel frontal. Dos de estos tornillos se encuentran situados bajo las patas, y los otros dos se encuentran dentro del compartimento de las baterías.

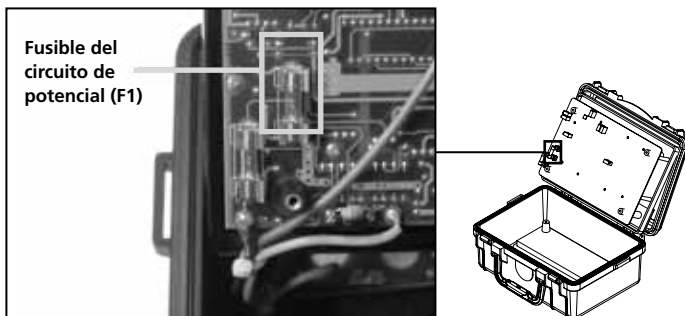
El fusible se quema automáticamente por el protector contra sobretensión, si es que hay presente tensión en la resistencia sometida a prueba. Esto sirve para evitar daños al instrumento. Si el indicador LED RC permanece encendido, significa que este fusible está quemado. (HBC, 0,5 A, 250 VCA, quemado lento)



- **Fusible del circuito de potencial**

Se proporciona protección por fusibles en los terminales de potencial. Este fusible está situado debajo de la tarjeta de circuitos impresos. Para acceder al mismo, deberá desatornillar los cuatro tornillos de montaje que sujetan el panel frontal. Dos de estos tornillos se encuentran situados bajo las patas, y los otros dos se encuentran dentro del compartimiento de las baterías.

La protección contra sobretensión quema automáticamente el fusible si hay tensión presente en la resistencia sometida a prueba. Esto sirve para evitar daños al instrumento. Si en las pruebas preliminares no se enciende RP, significa que este fusible está quemado. (HBC, 0,5 A, 250 VCA, quemado lento)





MO-100

Миллиомметр

Руководство пользователя

Русский

Август 2013 г, ред. 2
©2013 Amprobe Test Tools.
Все права защищены. Напечатано в Тайване

Ограниченная гарантия и пределы ответственности

Дефекты материалов и производства будут отсутствовать в изделии Amprobe в течение 1 года с момента покупки. Настоящая гарантия не охватывает предохранители, одноразовые батареи или повреждения, произошедшие в результате чрезвычайного происшествия, невнимательности, неправильного употребления, изменения конструкции, загрязнения или из-за неправильных условий эксплуатации или транспортировки. Торговые посредники не уполномочены для предоставления какой-либо другой гарантии от имени компании Amprobe. Для обслуживания в гарантийный период верните изделие с документами, подтверждающими покупку, в авторизованный сервисный центр Amprobe Test Tools, дилеру или дистрибьютору Amprobe. Подробные сведения см. в разделе «Ремонт».

ДАННАЯ ГАРАНТИЯ ПРЕДСТАВЛЯЕТ СОБОЙ ТОЛЬКО ВАШ СПОСОБ УСТРАНЕНИЯ НЕИСПРАВНОСТИ. ВСЕ ОСТАЛЬНЫЕ ГАРАНТИИ, ЯВНЫЕ И КОСВЕННЫЕ, В ТОМ ЧИСЛЕ ПОДРАЗУМЕВАЕМЫЕ ГАРАНТИИ ЭКСПЛУАТАЦИОННОЙ ПРИГОДНОСТИ ДЛЯ ОПРЕДЕЛЕННОЙ ЦЕЛИ ИЛИ КОММЕРЧЕСКОЙ ПРИГОДНОСТИ, НАСТОЯЩИМИ ПОЛОЖЕНИЯМИ ОТКЛОНЯЮТСЯ. ПРОИЗВОДИТЕЛЬ НЕ НЕСЕТ ОТВЕТСТВЕННОСТИ ЗА ЛЮБЫЕ СПЕЦИАЛЬНЫЕ, НЕПРЯМЫЕ, СЛУЧАЙНЫЕ ИЛИ ПРЕДСКАЗУЕМЫЕ КОСВЕННЫЕ ПОВРЕЖДЕНИЯ ИЛИ УБЫТКИ, ВОЗНИКШИЕ ПО КАКОЙ-ЛИБО ПРИЧИНЕ ИЛИ КОТОРЫЕ МОГУТ ВОЗНИКНУТЬ. Так как в некоторых штатах или странах не разрешается исключение или ограничение подразумеваемой гарантии, случайных или предсказуемых косвенных повреждений, это ограничение ответственности может к вам не относиться.

Ремонт

С каждым измерительным прибором, возвращаемым на гарантийный или негарантийный ремонт или для калибровки, должен предоставляться документ, подтверждающий покупку, а также следующие данные: ваше имя, наименование компании, адрес, телефон. Кроме того, предоставьте краткое описание проблемы или запрашиваемой услуги, а также щупы измерительного прибора. Стоимость негарантийного ремонта или замена должна оплачиваться чеком, денежным переводом, кредитной картой с указанием ее срока действия или заказом на покупку, утвержденным к оплате Amprobe® Test Tools.

Ремонт и замена по гарантии – все страны

Перед запросом на проведение ремонта прочитайте положения гарантии и проверьте свою батарею. В течение гарантийного периода любой дефектный измерительный прибор можно вернуть дистрибьютору Amprobe® Test Tools для обмена на такое же или похожее устройство. Список ближайших к вам дистрибьюторов приведен в разделе «Где купить» на сайте www.amprobe.com. Кроме того, в США и Канаде приборы, предназначенные для ремонта или замены, также могут передаваться в сервисный центр Amprobe® Test Tools (см. адрес ниже).

Негарантийный ремонт и замена – США и Канада

В США и Канаде приборы, предназначенные для негарантийного ремонта, должны передаваться в сервисный центр Amprobe® Test Tools. Чтобы узнать цены на текущий ремонт и замену, позвоните в Amprobe® Test Tools или обратитесь в компанию, где приобретался прибор.

В США

Amprobe Test Tools

Everett, WA 98203

Тел.: 877-AMPROBE (267-7623)

В Канаде

Amprobe Test Tools

Миссиссауга, ON L4Z 1X9

Тел.: 905-890-7600

Негарантийный ремонт и замена – Европа

Европейские приборы, предназначенные для негарантийного обслуживания, могут заменяться вашим дистрибьютором Amprobe® Test Tools за незначительную плату. Список ближайших к вам дистрибьюторов приведен в разделе «Где купить» на сайте www.amprobe.com.

Адрес для направления корреспонденции в Европе*

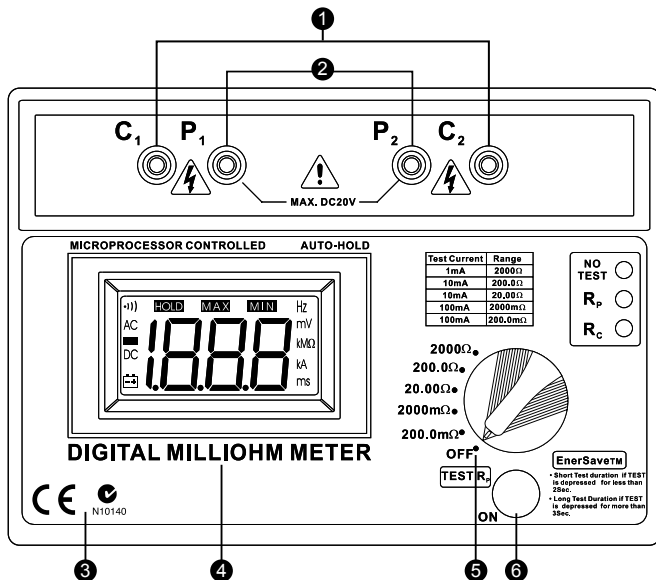
Amprobe® Test Tools – Европа

In den Engematten 14

79286 Glottertal, Германия

Тел.: +49 (0) 7684 8009 - 0

*(Только для корреспонденции – ремонт или замена по этому адресу не производится. Европейским заказчикам следует обращаться к своему дистрибьютору.)



- 1** Клеммы подачи тока
- 2** Клеммы подачи напряжения
- 3** Соответствие требованиям директив по низкому напряжению и электромагнитной совместимости
- 4** Жидкокристаллический дисплей
- 5** Вращающийся селекторный переключатель
- 6** Запуск / останов процесса измерения

NO TEST	○	Индикатор превышения температуры. Светится = превышение температуры или остановка измерения.
R _p	○	Сопротивление между щупами тока слишком высокое (предохранитель!).
R _c	○	Сопротивление между щупами напряжения слишком высокое.







⚠ ВНИМАНИЕ!

Если светодиод NO TEST светится, источник тока остановлен.

СОДЕРЖАНИЕ

УСЛОВНЫЕ ОБОЗНАЧЕНИЯ	2
ПРЕДУПРЕЖДЕНИЯ И МЕРЫ ПРЕДОСТОРОЖНОСТИ	2
РАСПАКОВКА И ПРОВЕРКА	3
ВВЕДЕНИЕ	4
ЭКСПЛУАТАЦИЯ	6
Подготовка к использованию	6
Проверка батареи	6
Проверка регулировки тока	6
Проверка измерения напряжения	6
Измерение	7
Щупы	8
Щупы напряжения	8
Щупы тока	8
Тепловые воздействия	9
ЭКСПЛУАТАЦИЯ	10
Электрическая часть	10
Механическая часть	10
Номинальные условия окружающей среды	11
ТЕХНИЧЕСКОЕ ОБСЛУЖИВАНИЕ И РЕМОНТ	12
Замена батареи	12
Замена предохранителей	13

УСЛОВНЫЕ ОБОЗНАЧЕНИЯ

	Внимание! Описание см. в этом руководстве
	Внимание! Опасность поражения электрическим током
	Перед техническим обслуживанием, чисткой, заменой батареи или предохранителей и т.д. необходимо отсоединить все щупы
	Соответствие австралийским стандартам
	Соответствие директивам ЕС
	Не выбрасывайте токоизмерительные клещи как обычные бытовые отходы. Обратитесь к квалифицированному инженеру по утилизации.

ПРЕДУПРЕЖДЕНИЕ!

Запрещается эксплуатация данного прибора в среде бензина, природного газа, пропана или других горючих средах.

ПРЕДУПРЕЖДЕНИЯ И МЕРЫ ПРЕДОСТОРОЖНОСТИ

Перед использованием прибора ознакомьтесь с этим руководством

- Данный прибор должен использоваться только компетентным правильно обученным персоналом, хорошо понимающим порядок проведения измерений и испытаний.
- Полностью внимательно прочитайте руководство пользователя перед использованием прибора. Ознакомьтесь с инструкциями перед использованием изделия. Соблюдайте инструкции во время каждого измерения. Соблюдайте все необходимые меры предосторожности. Не превышайте предельных значений данного прибора.
- Перед подключением прибора к измеряемой цепи ее питание необходимо отключить.
- Запрещается пользоваться загрязненными, поврежденными, разбитыми или треснувшими щупам, зондами или зажимами типа «крокодил/аллигатор». Такие принадлежности следует немедленно снимать и ремонтировать.
- Перед заменой любого предохранителя или батареи всегда отключайте щупы.
- Замена предохранителя обязательно должна осуществляться на тот же

тип и номинал; убедитесь, что предохранители правильно установлены в своих контактах.

- Перед проведением измерения дважды проверьте установку переключателя и подключение щупов. Создайте эскиз, чтобы убедиться в правильности и верном понимании процесса эксплуатации и способа измерения.
- Не прикасайтесь к оголенной проводке, соединениям или другим деталям электрической цепи, находящимся под напряжением. В случае сомнения перед прикосновением к цепи сначала проверьте наличие в ней напряжения.

Меры предосторожности

- Перед подключением щупов всегда проверяйте, что измеряемая цепь полностью обесточена, отключена и на нее не подается напряжение.
- Если существует вероятность того, что защита прибора нарушена из-за повреждений электрического, механического или погодного характера, его использование запрещается. Прибор необходимо вернуть ближайшему дистрибьютору или агенту по продажам на проверку и ремонт.
- Чтобы предотвратить повреждение жидкокристаллического дисплея, температура хранения прибора должна быть не ниже $-20\text{ }^{\circ}\text{C}$. Кроме того, при температуре ниже $0\text{ }^{\circ}\text{C}$ работа жидкокристаллического экрана будет замедленной.

⚠ Предупреждение! Опасность поражения электрическим током.

РАСПАКОВКА И ПРОВЕРКА

Содержимое упаковки:

- 1 Миллиомметр MO-100
- 1 Плечевой ремень для переноски
- 1 Щуп (зеленый)
- 1 Щуп (красный)
- 1 Щуп (синий)
- 1 Щуп (черный)
- 8 Щелочная батарея (размер AA, 1,5 В)
- 1 Запасной предохранитель (0,5 А / 250 В)
- 1 Руководства пользователя

Если компоненты повреждены или отсутствуют, полностью верните упаковку на место приобретения для обмена.

ВВЕДЕНИЕ

- Миллиомметр работает от батарей и слабо влияет на ток испытываемой цепи, при этом обеспечивает стабильное и точное измерение малых сопротивлений в широком диапазоне значений.
- В малом диапазоне минимальное измеряемое сопротивление составляет 100 мкОм, а в большом – 1 Ом.
- Миллиомметр имеет 5 диапазонов измерения от 200,0 мОм до 2000 Ом
- Результаты измерения отображаются на 3½-разрядном жидкокристаллическом дисплее с крупными цифрами.
- Данный прибор питается только от батарей (щелочных батарей или аналогичных аккумуляторов).
- Он оснащен источником с фиксированными значениями постоянного тока 1, 10 и 100 мА.
- Для измерения тока, проходящего через сопротивление, используются клеммы C1 и C2 (C1: +, C2: -).
- Падение напряжения на сопротивлении измеряется на выводах напряжения P1 и P2 (P1: +, P2: -).
- При невозможности регулировки тока светодиод Rс будет светиться, указывая на то, что сопротивление в токовой цепи слишком большое. (Восстановить ток поможет понижение тока путем выбора диапазона более высокого сопротивления.)
- Если светодиод Rр светится, это означает, что измеряемое напряжение на сопротивлении слишком высокое и превышает диапазон измерения.
- Сопротивление измеряется с большей точностью, когда светодиоды RР и RС не горят. Если хотя бы один из них горит, результаты будут неточными.
- В приборе установлен пользовательский 3½-разрядный жидкокристаллический дисплей, показания которого при падающем свете хорошо видны в большинстве случаев. На дисплее отображаются различные состояния (фиксация, м, звуковая сигнализация, полярность нагрузки, + или -, автоматическое изменение положения десятичной точки).
- Длительность измерения составляет 10 секунд, если кнопка ON TEST Re отжимается менее чем через 2 секунды. Если эта кнопка нажимается и удерживается больше 3 секунд, измерение занимает 60 секунд.

- Переключатель прибора полностью отключается в положении OFF (Выключено).
- Миллиомметр обеспечивает фиксацию показаний перед завершением измерения.
- В приборе установлены предохранители, и между клеммами С1 и С2 размещается устройство автоматического шунтирования.
- Данное устройство активируется по напряжению. Если напряжение слишком высокое, устройством автоматически расплавляется предохранитель, чтобы разомкнуть цепь.
- Кроме того, на клеммах Р1 и Р2 обеспечивается защита от перенапряжения, но без предохранителей.
- Прибор может завершать работу в зависимости от температуры. Контроль над температурой осуществляется с помощью регулирующего транзистора.
- Если загорелся светодиод повышения температуры, дайте прибору охладиться перед продолжением работы.
- Миллиомметр с диапазоном измерения от 100 мкОм до 2000 Ом подходит для широких областей применения, например:
 1. Измерение сопротивления обмоток электродвигателей, генераторов и трансформаторов.
 2. Проверка проводки в шахтах, на воздушном, железнодорожном и водном транспорте, а также в промышленных и домашних условиях.
 3. Проверка на обрыв замкнутой цепи в промышленных и домашних условиях
 4. Измерение сопротивления в электронном оборудовании, таком как шунты, дорожки печатных плат, переключатели и реле.
 5. Проверка соединений с опрессовкой на воздушных линиях электропередач.
 6. Проверка и техническое обслуживание распределительных щитов или оборудования подстанций на таких элементах, как предохранители, соединения, контакты и соединители.

ЭКСПЛУАТАЦИЯ

Подготовка к использованию

После распаковки необходимо провести внешний осмотр прибора на видимые следы повреждений, выполнить предварительные проверки, описанные в руководстве пользователя. Если есть повреждения или прибор работает не правильно, верните его ближайшему поставщику.

Проверка батареи

Если на ЖК-дисплее появился значок батареи, замените ее на новые щелочные элементы.

Проверка регулировки тока

- Подключите щупы тока к клеммам C1 и C2.
- Выберите диапазон измерения и замкните щупы тока. Светодиод Rc должен погаснуть, тем самым показывая, что с регулировкой тока все в порядке.

Проверка измерения напряжения

- Подключите щупы напряжения к клеммам P1 и P2.
- Замкните щупы P1 и P2. На дисплее появится число 0000.
- Разомкните щупы клемм P1 и P2, C1 и C2. Сомкните щупы напряжения клеммы P1 с клеммой C1, а P2 с C2, должен загореться светодиод Rp, указывая на перенапряжение или выход за диапазон измерения.

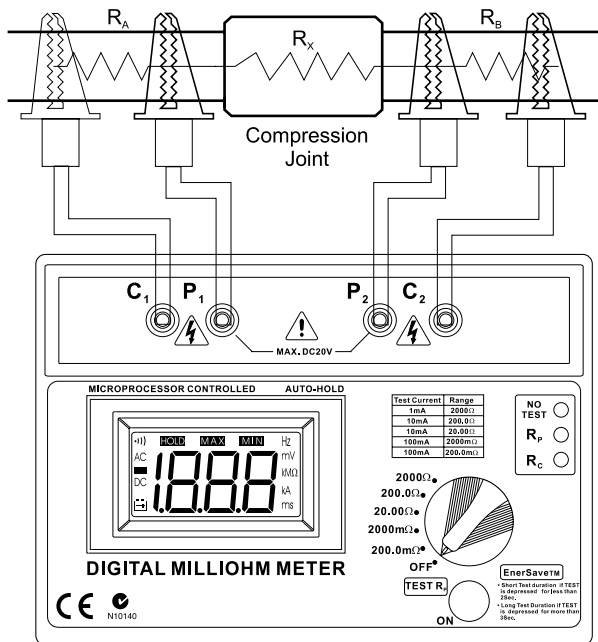
Если необходимо, эту проверку можно провести на всех диапазонах.

Кроме того, можно проверить индикацию полярности миллиомметра прикосновением щупов напряжения клеммы P1 с клеммой C2, а P2 с C1, должен загореться светодиод Rp, указывая на перенапряжение или выход за диапазон измерения. Индикатор минуса должен отображать на ЖК-дисплее соответствующий знак, показывая смену полярности.

Общая проверка выполняется замыканием всех щупов вместе C1, C2, P1, P2. На дисплее будет отображаться значение, близкое к 0000 (это зависит от используемых зажимов типа «крокодил» и того, как они замкнуты). Светодиоды Rc и Rp должны быть выключены, что говорит о правильной работе прибора.

Измерение

- Перед измерением выполните предварительные проверки и убедитесь в том, что соблюдены все надлежащие меры предосторожности.
- Подключите щупы (помечены цветом) к прибору, как показано.
- Щупы тока всегда должны быть снаружи относительно щупов напряжения.
- Обратите внимание: чем короче щупы напряжения, тем меньше на них воздействуют помехи.
- Для наилучшей защиты от помех рекомендуется применять экранированные щупы.



Щупы

Щупы, поставляемые вместе с прибором, подходят для подключения к проводникам диаметром до 17 мм или шине толщиной 17 мм. Для проводников и шин большего размера пользователю рекомендуется использовать собственные щупы. Чем больше габариты измеряемого элемента, тем большего размера требуются щупы. Некоторые рекомендации по конструкции щупов:

- Длина щупов напряжения должна быть настолько малой, насколько это возможно.
- Щупы должны быть изолированы 16/0,2 мм, рекомендуется луженый медный провод.
- Два щупа напряжения должны быть одинаковой длины, чтобы свести к минимуму неточности из-за дисбаланса.

Щупы напряжения

- Щуп P1+ красного цвета, экранированный, с вилкой 4 мм, имеющей на одном конце зажим типа «крокодил» («аллигатор») для подключения к измеряемому сопротивлению. Вилки с другого конца подключаются к розеткам прибора (экранирование 4 мм) соответствующего цвета.
- Щуп P2- синего цвета, экранированный, с вилкой 4 мм, имеющей на одном конце зажим типа «крокодил» («аллигатор») для подключения к измеряемому сопротивлению. Вилки с другого конца подключаются к розеткам прибора (экранирование 4 мм) соответствующего цвета

Щупы тока

- Щуп C1+ зеленого цвета, экранированный, с вилкой 4 мм, имеющей на одном конце зажим типа «крокодил» («аллигатор») для подключения к измеряемому сопротивлению. Вилки с другого конца подключаются к розеткам прибора (экранирование 4 мм) соответствующего цвета.
- Щуп C2- черного цвета, экранированный, с вилкой 4 мм, имеющей на одном конце зажим типа «крокодил» («аллигатор») для подключения к измеряемому сопротивлению. Вилки с другого конца подключаются к розеткам прибора (экранирование 4 мм) соответствующего цвета.

Тепловые воздействия

- На работу миллиомметра значительное влияние оказывает температура. Это происходит из-за наличия температурного коэффициента сопротивления при измерении и термо-эдс в разнородных проводниках.
- Большинство проводников имеют большой температурный коэффициент сопротивления. Например: $0,4 \text{ } \%/^{\circ}\text{C}$ для меди. Пусть сопротивление медного проводника при 20°C составляет $10,00 \text{ мОм}$, при 30°C оно повысится до $10,40 \text{ мОм}$. Это необходимо учитывать при проведении измерения.
- Ток, проходящий через сопротивление, также будет повышать его температуру. Таким образом, проведение измерения может внести изменение в значение сопротивления.
- При измерении сопротивления элемента, такого как шунты, имеющие соединения из разнородных проводников, на точность измерения может повлиять термо-эдс. Это можно обнаружить, поменяв щупы местами, результат измерения изменится. Чтобы скомпенсировать это влияние, в качестве фактического результата измерения необходимо принимать среднее значение из двух показаний.

ТЕХНИЧЕСКИЕ ХАРАКТЕРИСТИКИ

Электрическая часть

Диапазоны измерения:

0–200,0 мОм с шагом 100 мкОм

0–2000 мОм с шагом 1 мОм

0–20,00 Ом с шагом 10 мОм

0–200,0 Ом с шагом 100 мОм

0–2000 Ом с шагом 1 Ом

Точность:

$\pm 0.5\%$ от показаний ± 2 цифры при

Диапазон рабочей температуры: от $-15\text{ }^{\circ}\text{C}$ до $+55\text{ }^{\circ}\text{C}$, с щупами в комплекте.

Ток измерения:

1 мА => диапазон 2000 Ом.

10 мА => диапазоны 200 / 20 Ом.

100 мА => диапазоны 2000 / 200 мОм.

Точность тока измерения: $\pm 0,1\%$

Предохранители:

Источник питания = 0,5 А, НВС, 5 x 20 мм, DIN

Ток = 0,5 А, НВС, 5 x 20 мм, DIN

Напряжение = 0,5 А, НВС, 5 x 20 мм, DIN

Безопасность: Соответствует нормам ЕС

Механическая часть

Размер корпуса: 110 мм (В) x 250 мм (Ш) x 190 мм (Г)

Испытание на падение: IEC 61010-1, положение 8.3

Испытание на удар: IEC 61010-1, положение 8.2.2

Масса: 1,542 кг

Номинальные условия окружающей среды

1. Эксплуатация внутри помещений
2. Уровень загрязнения 2
3. Высота на уровне моря до 2000 м
4. Макс. относительная влажность 80 %
5. Температура окружающей среды 0~40 °С

CE


Директива по низкому напряжению (LVD): Соответствует EN61010-1:2010; EN61010-2-030:2010.

Электромагнитные помехи: Соответствует EN61326-1:2006.

Данное изделие соответствует требованиям следующих директив Европейского сообщества: 2004/108/ЕЕС (Электромагнитная совместимость) и 2006/95/ЕЕС (Низкое напряжение) (CE-маркировка). Однако помехи от электрооборудования или сильные электромагнитные поля, находящиеся вблизи прибора, могут вносить помехи в измерения. Кроме того, на измерительные приборы могут воздействовать нежелательные сигналы, возможно, действующие внутри цепей измерения. Пользователи должны принять соответствующие меры предосторожности и позаботиться о том, чтобы не допустить возникновения ложных результатов при проведении измерений в условиях электронных помех.

ТЕХНИЧЕСКОЕ ОБСЛУЖИВАНИЕ И РЕМОНТ

Если при эксплуатации измерительного прибора возникают неполадки, выполните следующие действия по их устранению.

1. Проверьте батарею. При появлении на ЖК-дисплее символа  немедленно замените батарею.
2. Снова ознакомьтесь с инструкциями по эксплуатации, чтобы выявить возможные ошибки.

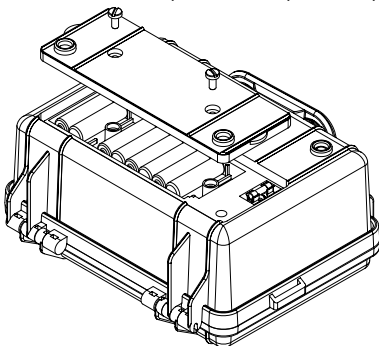
Кроме замены батареи, ремонт измерительного прибора должен проводиться только в авторизованном сервисном центре или другим квалифицированным персоналом по обслуживанию приборов.

Переднюю панель и корпус следует чистить слабым раствором чистящего вещества и водой.

Аккуратно протирайте мягкой тканью и полностью высушивайте перед использованием. Для чистки запрещается использовать ароматические углеводороды, бензин или хлорированные растворители.

ЗАМЕНА БАТАРЕИ

1. Отключите щупы от прибора, снимите крышку и вытащите батареи.
2. Батареи устанавливаются в приборе.
3. Установите новые восемь батарей типа AA напряжением 1,5 В, соблюдая полярность. (Рекомендуются щелочные батареи.)
4. Установите на свое место держатель батарей и их крышку.



ЗАМЕНА ПРЕДОХРАНИТЕЛЕЙ

Максимальное напряжение, которое может быть приложено к щупам тока и напряжения, составляет около 10,7 В. При большем напряжении сработают предохранители.

Однако устройство автоматического шунтирования можно отрегулировать на заводе под вашу область применения.

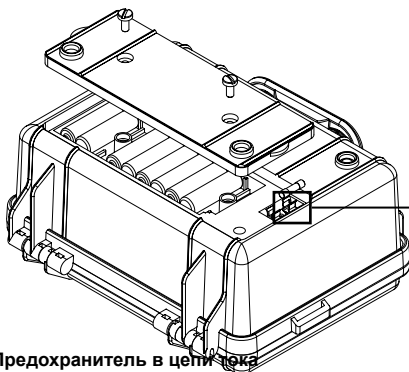
Мы специально выбрали данный метод, чтобы не допустить повреждения прибора

Установлены три предохранителя:

- **Предохранитель источника питания**

Предохранитель источника питания устанавливается в приборе.

Откройте батарейный отсек, замените предохранитель на тот же тип (0,5 А, > 24 В, медленная плавка)

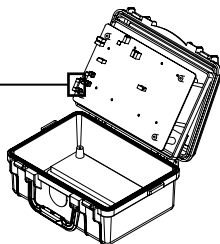


Предохранители
(0,5 А / 250 В)

- **Предохранитель в цепи тока**

Предохранитель защищает цепь каждой клеммы тока. Данный предохранитель расположен на печатной плате. Чтобы заменить его, необходимо открутить четыре крепежных винта, удерживающих переднюю панель. Два из этих винта установлены под ножками, а два остальных – внутри батарейного отсека.

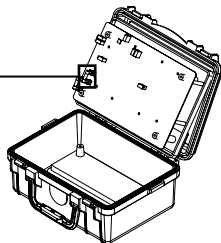
Предохранитель автоматически срабатывает под управлением устройства автоматического шунтирования во время измерения при наличии напряжения на сопротивлении. Это позволит предотвратить повреждение прибора. На срабатывание предохранителя указывает свечение светодиода Rс. (HBC, 0,5 А, 250 В переменного тока, медленная плавка)



- **Предохранитель в цепи напряжения**

Предохранитель защищает цепь каждой клеммы напряжения. Данный предохранитель расположен на печатной плате. Чтобы заменить его, необходимо открутить четыре крепежных винта, удерживающих переднюю панель. Два из этих винта установлены под ножками, а два остальных – внутри батарейного отсека.

Предохранитель автоматически срабатывает под управлением устройства автоматического шунтирования во время измерения при наличии напряжения на сопротивлении. Это позволит предотвратить повреждение прибора. Если во время предварительных испытаний светодиод R_p не загорелся, значит перегорел предохранитель. (HBC, 0,5A, 250 В переменного тока, медленная плавка)



Visit www.Amprobe.com for

- Catalog
- Application notes
- Product specifications
- User manuals



Please Recycle