

## CTLVC6020F Series

From 0.5 $\mu$ H to 22 $\mu$ H



### CHARACTERISTICS

- Description:** SMD power inductors sealed with magnetic resin.
- Applications:** Smart phones, DSC, Tablet PC's, DC/DC converters, etc.
- Operating Temperature:** -55°C to 125°C (including self - temperature rise)
- Inductance Tolerance:**  $\pm 20\%$ ,  $\pm 30\%$
- Testing:** Inductance is tested on an HP4284A at 100kHz, 1V
- Packaging:** Tape & Reel.
- Marking:** Parts are marked with inductance code.
- Miscellaneous:** **RoHS Compliant.**
- Additional Information:** Additional electrical & physical information available upon request.
- Samples available. See website for ordering information.**

### SPECIFICATIONS

Please specify inductance tolerance code when ordering.

CTLVC6020F-1R5\_ ← M =  $\pm 20\%$ , N =  $\pm 30\%$

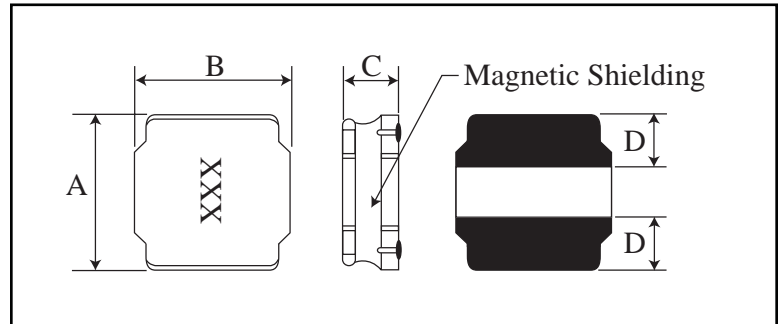
\*Isat: DC current (A) that will cause L to drop approximately 30%.

\*\*Irms: DC current (A) that will cause an approximate  $\Delta T$  of 40°C.

| Part Number     | Inductance ( $\mu$ H) | L Test Freq. (kHz) | DCR $\pm 30\%$ (m $\Omega$ ) | *Isat Typ.(Max.) (A) | **Irms Typ.(Max.) (A) |
|-----------------|-----------------------|--------------------|------------------------------|----------------------|-----------------------|
| CTLVC6020F-R50N | 0.5                   | 100                | 13                           | 8.0(7.20)            | 5.3(4.77)             |
| CTLVC6020F-R90N | 0.9                   | 100                | 18                           | 6.3(5.67)            | 4.2(3.78)             |
| CTLVC6020F-1R0N | 1.0                   | 100                | 19                           | 6.2(5.58)            | 4.1(3.69)             |
| CTLVC6020F-1R5_ | 1.5                   | 100                | 26                           | 5.0(4.50)            | 3.6(3.24)             |
| CTLVC6020F-2R2_ | 2.2                   | 100                | 34                           | 4.2(3.78)            | 3.2(2.88)             |
| CTLVC6020F-3R3_ | 3.3                   | 100                | 40                           | 3.2(2.88)            | 2.7(2.43)             |
| CTLVC6020F-4R7_ | 4.7                   | 100                | 58                           | 2.5(2.25)            | 2.2(1.98)             |
| CTLVC6020F-6R8_ | 6.8                   | 100                | 85                           | 2.2(1.98)            | 1.8(1.62)             |
| CTLVC6020F-100_ | 10                    | 100                | 125                          | 2.0(1.80)            | 1.6(1.44)             |
| CTLVC6020F-150_ | 15                    | 100                | 190                          | 1.3(1.17)            | 1.3(1.17)             |
| CTLVC6020F-220_ | 22                    | 100                | 260                          | 1.1(0.99)            | 1.1(0.99)             |

### PHYSICAL DIMENSIONS

| Size   | A                 | B                 | C                          | D                 |
|--------|-------------------|-------------------|----------------------------|-------------------|
| mm     | 6.0 $\pm 0.2$     | 6.0 $\pm 0.2$     | 2.0 $\pm 0.2$ , -0.3       | 1.7 $\pm 0.3$     |
| inches | 0.236 $\pm 0.008$ | 0.236 $\pm 0.008$ | 0.079 $\pm 0.008$ , -0.012 | 0.067 $\pm 0.012$ |



### PAD LAYOUT

Unit: mm

