

ANT-916-PW-QW

Data Sheet

Product Description

Designed for permanent attachment, PW Series ¼-wave whips give outstanding performance in a rugged and cost-effective package. The antenna is attached by placing its base through a ¼" (6.35 mm) hole in the product and securing it with a nut or by threading it into a PEM-style insert. The antenna is fed through the base with 8.5" (216 mm) of coax cable. Straight-cut RG-174 allows the addition of any 50-ohm RF connector or allows the cable to be soldered directly to the PCB, saving the cost of the connector. It is also available with 1.32 mm coax cable terminated with a U.FL / MHF compatible connector. This saves the labor of adding a connector while using one that is small enough to fit through the antenna's mounting hole. Custom lengths and terminations are available by special order.

Features

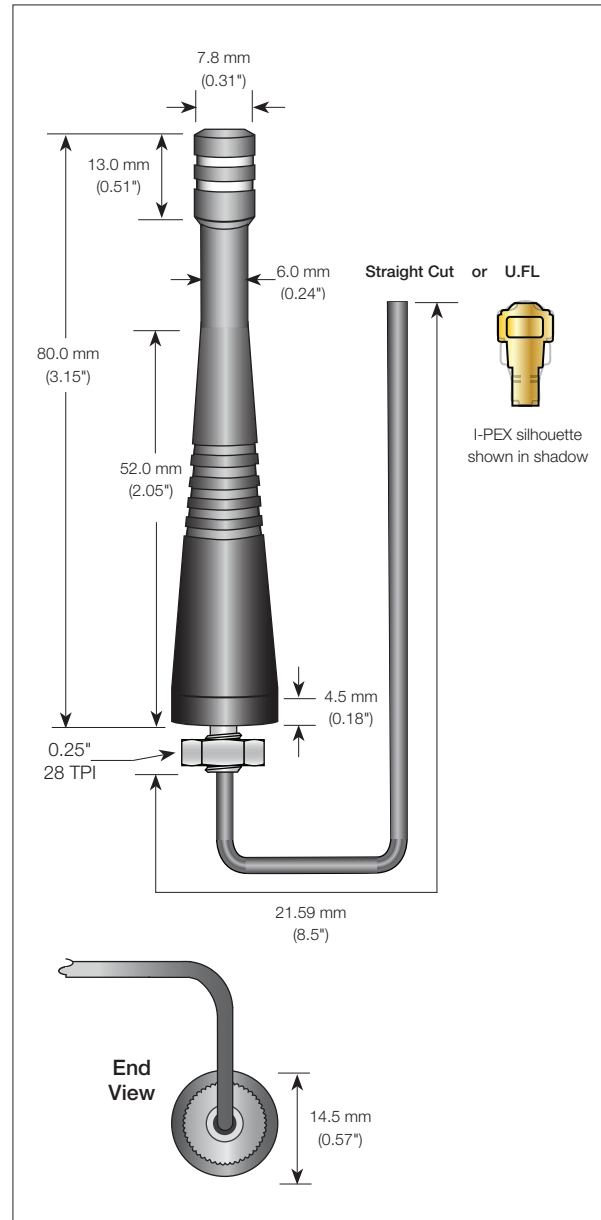
- Low cost
- Outstanding performance
- Omni-directional pattern
- Wide bandwidth
- Flexible main shaft
- Rugged & weatherized
- Integral 8.5" (21.59 cm) RG-174 coax cable
- Use with plastic* or metal enclosures

* Requires proximity ground plane

Electrical Specifications

| | |
|--------------------|---|
| Center Frequency: | 916MHz |
| Bandwidth: | 865–965MHz |
| Wavelength: | ¼-wave |
| VSWR: | ≤ 1.9 typical at center |
| Peak Gain: | 1.8dBi |
| Impedance: | 50-ohms |
| Connection: | Straight-cut or U.FL/MHF |
| Cable: | 8.5" (21.59 cm) RG-174 coax or 1.32 mm coax (U.FL) |
| Oper. Temp. Range: | –40°C to +90°C |

Electrical specifications and plots measured on 10.16 cm x 10.16 cm (4.00" x 4.00") reference ground plane



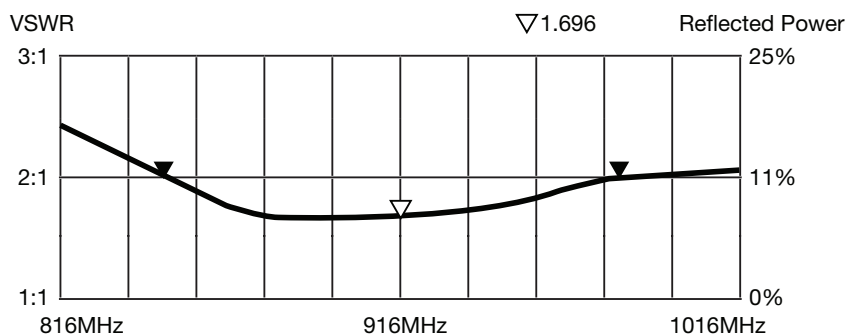
Ordering Information

ANT-916-PW-QW (with straight cut RG-174 coax)
ANT-916-PW-QW-UFL (U.FL/MHF compatible connector)

Counterpoise

Quarter-wave or monopole antennas require an associated ground plane counterpoise for proper operation. The size and location of the ground plane relative to the antenna will affect the overall performance of the antenna in the final design. When used in conjunction with a ground plane smaller than that used to tune the antenna, the center frequency typically will shift higher in frequency and the bandwidth will decrease. The proximity of other circuit elements and packaging near the antenna will also affect the final performance. For further discussion and guidance on the importance of the ground plane counterpoise, please refer to Linx Application Note AN-00501: Understanding Antenna Specifications and Operation.

VSWR Graph



What is VSWR?

The Voltage Standing Wave Ratio (VSWR) is a measurement of how well an antenna is matched to a source impedance, typically 50-ohms. It is calculated by measuring the voltage wave that is headed toward the load versus the voltage wave that is reflected back from the load. A perfect match will have a VSWR of 1:1. The higher the first number, the worse the match, and the more inefficient the system. Since a perfect match cannot ever be obtained, some benchmark for performance needs to be set. In the case of antenna VSWR, this is usually 2:1. At this point, 88.9% of the energy sent to the antenna by the transmitter is radiated into free space and 11.1% is either reflected back into the source or lost as heat on the structure of the antenna. In the other direction, 88.9% of the energy recovered by the antenna is transferred into the receiver. As a side note, since the “:1” is always implied, many data sheets will remove it and just display the first number.

How to Read a VSWR Graph

VSWR is usually displayed graphically versus frequency. The lowest point on the graph is the antenna's operational center frequency. In most cases, this will be different than the designed center frequency due to fabrication tolerances. The VSWR at that point denotes how close to 50-ohms the antenna gets. Linx specifies the recommended bandwidth as the range where the typical antenna VSWR is less than 2:1.