

**PLEASE CHECK WWW.MOLEX.COM FOR LATEST PART INFORMATION**

**Part Number:** [0545481771](#)  
**Status:** **Active**  
**Overview:** [FFC-FPC \(SMT\)](#)  
**Description:** 0.50mm Pitch Easy-On FFC/FPC Connector, 1.20mm Height, Right-Angle, Surface Mount, ZIF, Bottom Contact Style, 17 Circuits, Gold (Au) Plating

**Documents:**

[3D Model](#) [Application Specification AS-54548-001-001 \(PDF\)](#)  
[3D Model \(PDF\)](#) [Packaging Specification SPK-54548-001-001 \(PDF\)](#)  
[Drawing \(PDF\)](#) [RoHS Certificate of Compliance \(PDF\)](#)

**Agency Certification**

UL E29179

**General**

Product Family FFC/FPC Connectors  
 Series [54548](#)  
 Overview [FFC-FPC \(SMT\)](#)  
 Product Name Easy-On  
 UPC 822348245598

**Physical**

Actuator Type Slider  
 Circuits (Loaded) 17  
 Contact Position Bottom  
 Durability (mating cycles max) 20  
 Mated Height 1.20mm  
 Material - Metal Phosphor Bronze  
 Material - Plating Mating Gold  
 Material - Plating Termination Tin  
 Net Weight 90.281/mg  
 Number of Rows 1  
 Orientation Right Angle  
 PCB Locator No  
 PCB Mounting Surface Mount  
 PCB Retention Yes  
 Packaging Type Embossed Tape on Reel  
 Pitch - Mating Interface 0.50mm  
 Polarized to PCB Yes  
 Stackable No  
 Temperature Range - Operating -20° to +85°C  
 Wire/Cable Type FFC/FPC

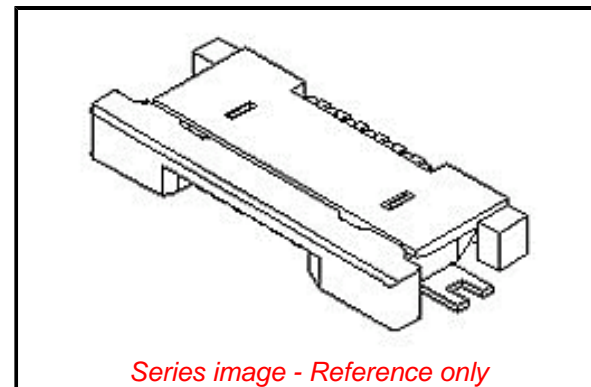
**Electrical**

Current - Maximum per Contact 0.5A  
 Voltage - Maximum 50V

**Material Info**

**Reference - Drawing Numbers**

Application Specification AS-54548-001-001  
 Packaging Specification SPK-54548-001-001  
 Sales Drawing SD-54548-039, SD-54548-040



**EU ELV**

**Not Relevant**

**EU RoHS**

**Compliant**

**REACH SVHC**

Not Contained Per -  
 ECHA\_01\_2020 (16  
 January 2020

**Halogen-Free**

**Status**

**Not Low-Halogen**

For more information, please visit [Contact US](#)

China ROHS

ELV

RoHS Phthalates

**China RoHS**

Green Image

Not Relevant

Not Contained

**Search Parts in this Series**

[54548 Series](#)