

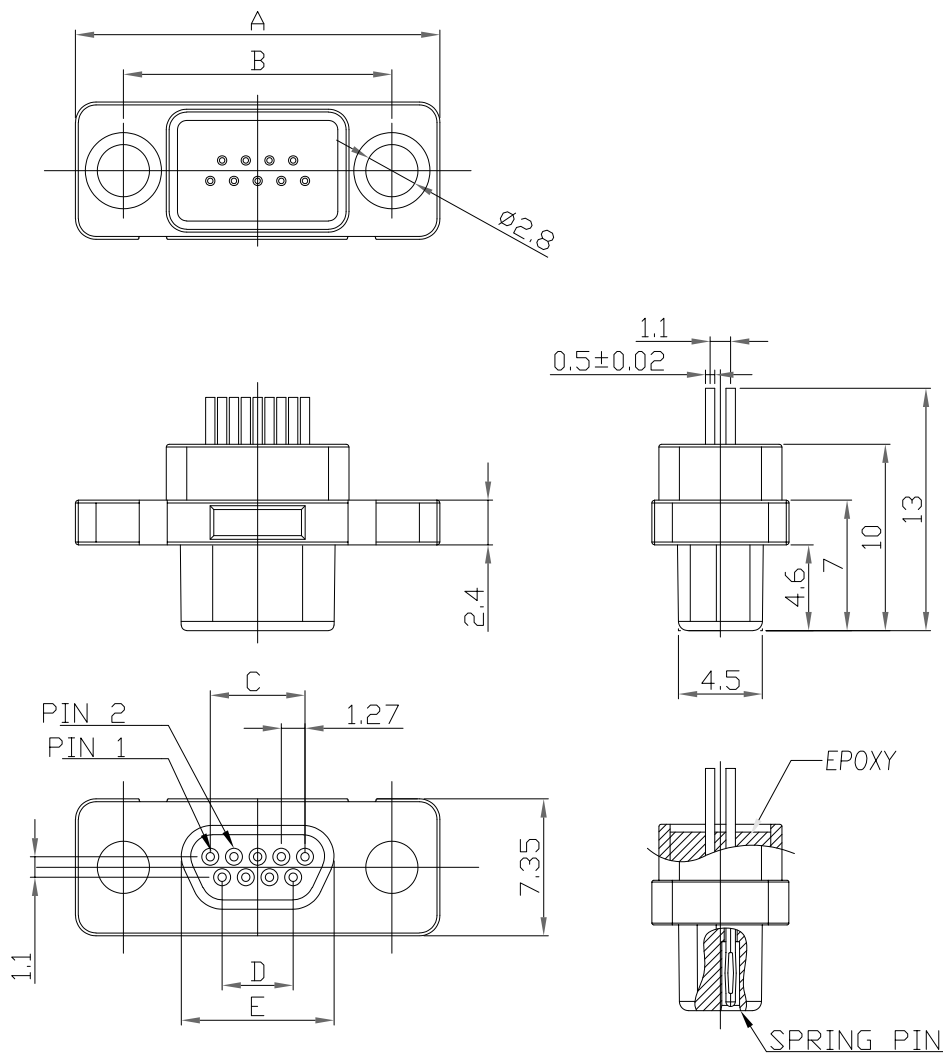
**SPECIFICATIONS:**

**ELECTRICAL:**

INSULATOR RESISTANCE: 1000 MOHMS MIN.  
 SIGNAL CONTACT RESISTANCE: 45 mOHMS MAX.  
 CONTACT CURRENT RATING: 1 AMP  
 D.W.V.: 500VAC  
 OPERATING TEMPERATURE: -55°C TO 85°C

**MATERIALS:**

INSULATOR: PBT UL94V-0, BLK  
 230°C MAX PROCESS TEMP  
 SHELL: ZINC ALLOY  
 CONTACTS: 15u" GOLD PLATED BERYLLIUM COPPER MATING AREA  
 TIN PLATED ON SOLDER AREA



DIMENSIONS(mm) ±0.15					
SIZE	A	B	C	D	E
9	19.55	14.35	5.08	3.81	8.20
15	23.36	18.20	8.89	7.62	12.00
25	29.70	24.55	15.24	13.97	18.35

**380-YYY-11YL001**

SERIES  
 POSITIONS  
 009  
 015  
 025

PCB CONTACT LENGTH  
 3 = 2.50mm

**NOTE:**

\*\*NOT DESIGNED TO MATE WITH NORCOMP 580-M // 581-M SERIES CONNECTORS. IF ANY QUESTIONS PLEASE CONTACT ENG@NORCOMP.NET

UNITS = mm

DO NOT SCALE FROM DRAWING



THESE DRAWINGS AND SPECIFICATIONS ARE THE PROPERTY OF NorComp AND SHALL NOT BE REPRODUCED, COPIED OR USED AS THE BASIS FOR THE MANUFACTURE OR SALE OF APPARATUS WITHOUT WRITTEN PERMISSION.

DRAWN:  
 M. SIGMON

DATE:  
 08/18/2011

**NorComp**

SCALE:  
 NTS

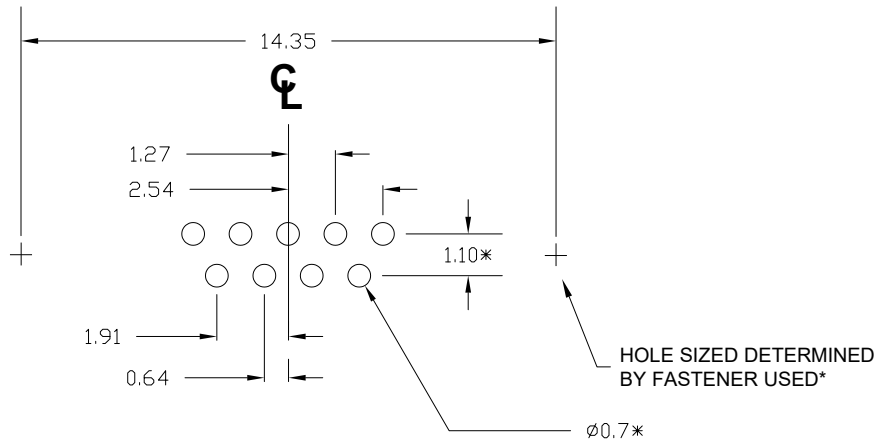
SHEET OF  
 1 2

REV  
 5

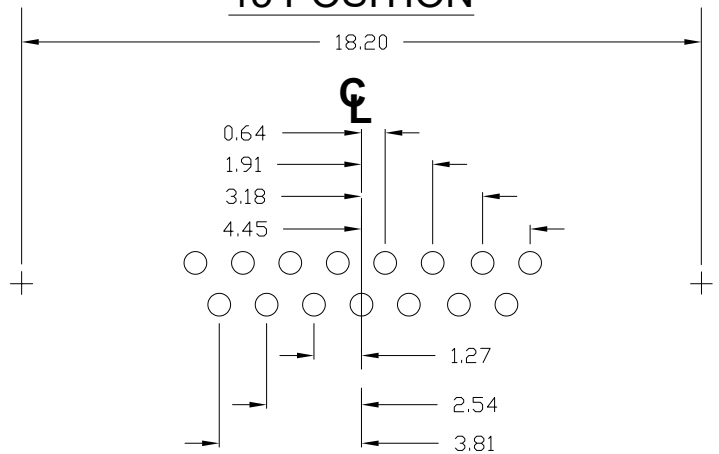
DWG NO.

**380-YYY-113L001**

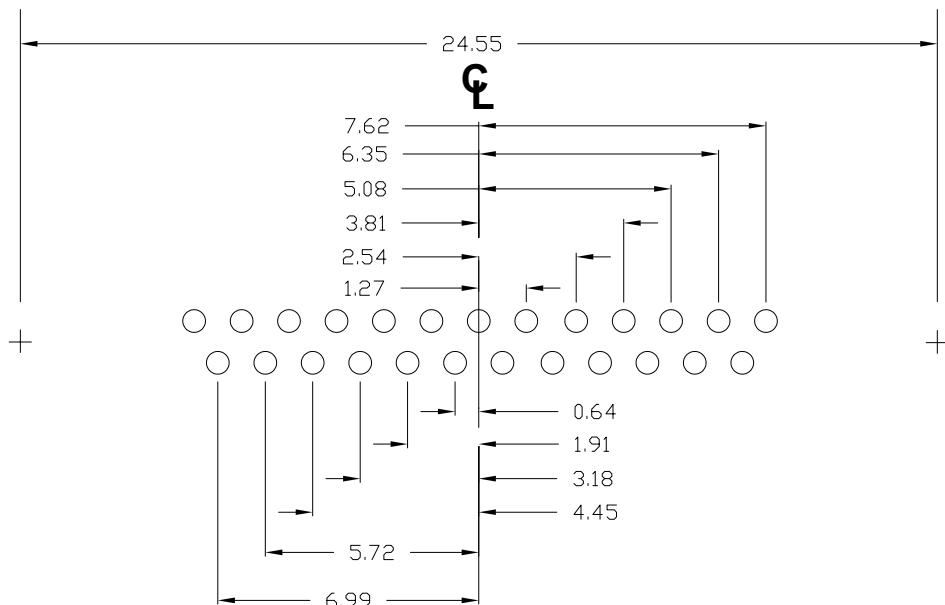
**9 POSITION**



**15 POSITION**



**25 POSITION**



\*TYPICAL

UNITS = mm

DO NOT SCALE FROM DRAWING



THESE DRAWINGS AND SPECIFICATIONS ARE THE PROPERTY OF NorComp AND SHALL NOT BE REPRODUCED, COPIED OR USED AS THE BASIS FOR THE MANUFACTURE OR SALE OF APPARATUS WITHOUT WRITTEN PERMISSION.

DRAWN:  
**M. SIGMON**  
DATE:  
**08/18/2011**

**NorComp**

SCALE: NTS	SHEET 2	OF 2	REV 5
DWG NO.		<b>380-YYY-113L001</b>	