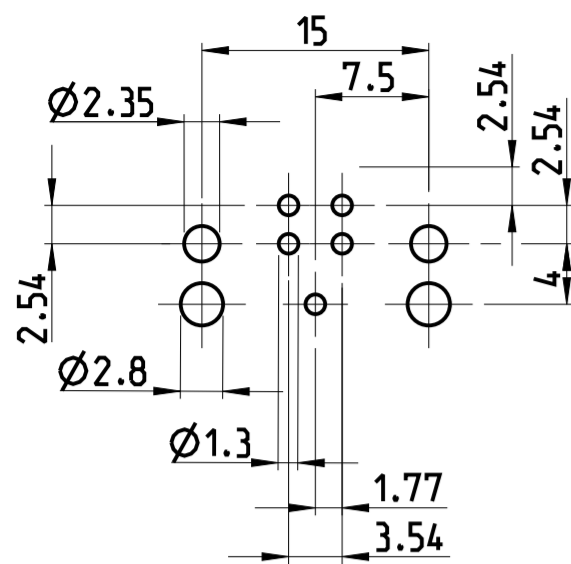


THIS DRAWING IS UNPUBLISHED.  
 VERTRÄGLICHE UNVERÖFFENTLICHTE ZEICHNUNG  
 © COPYRIGHT 2014 Tyco Electronics AMP GmbH  
 RELEASED FOR PUBLICATION  
 FREI FÜR VERÖFFENTLICHUNG  
 2014  
 ALL RIGHTS RESERVED.  
 ALLE RECHTE VORBEHALTEN.  
 DATED WITH  
 PASSENDE ZU

PROJECT NO.:  
 PRJ-11-000004377

REVISIONS		DATE	DWN	APVD
ÄNDERUNGEN				
P	LTR	DESCRIPTION		
		BESCHREIBUNG		
A		NEW RELEASE	04DEC2014	TJ PS

CONDUCTOR LAYOUT

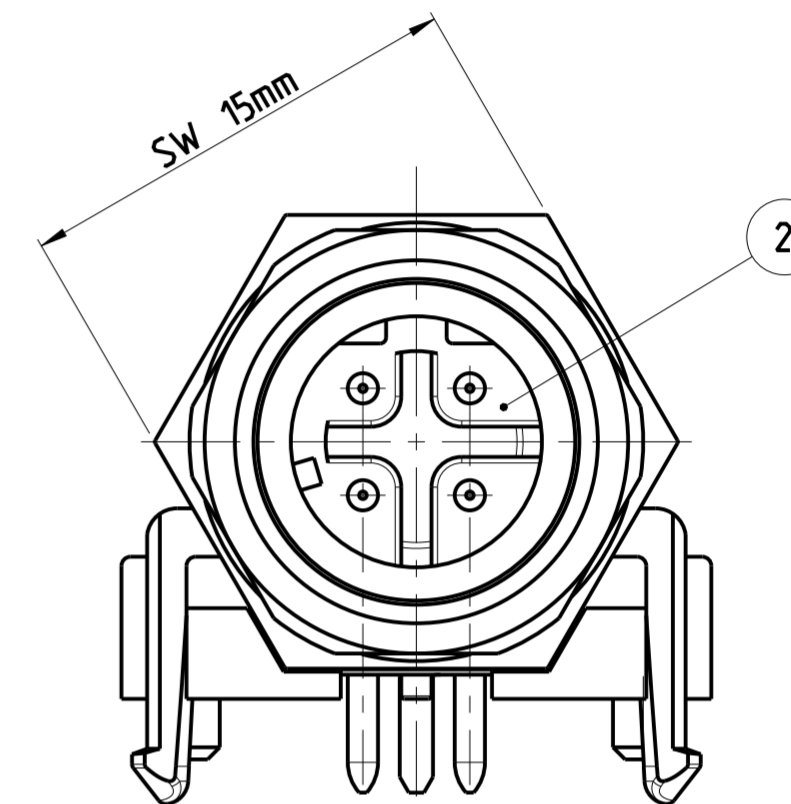
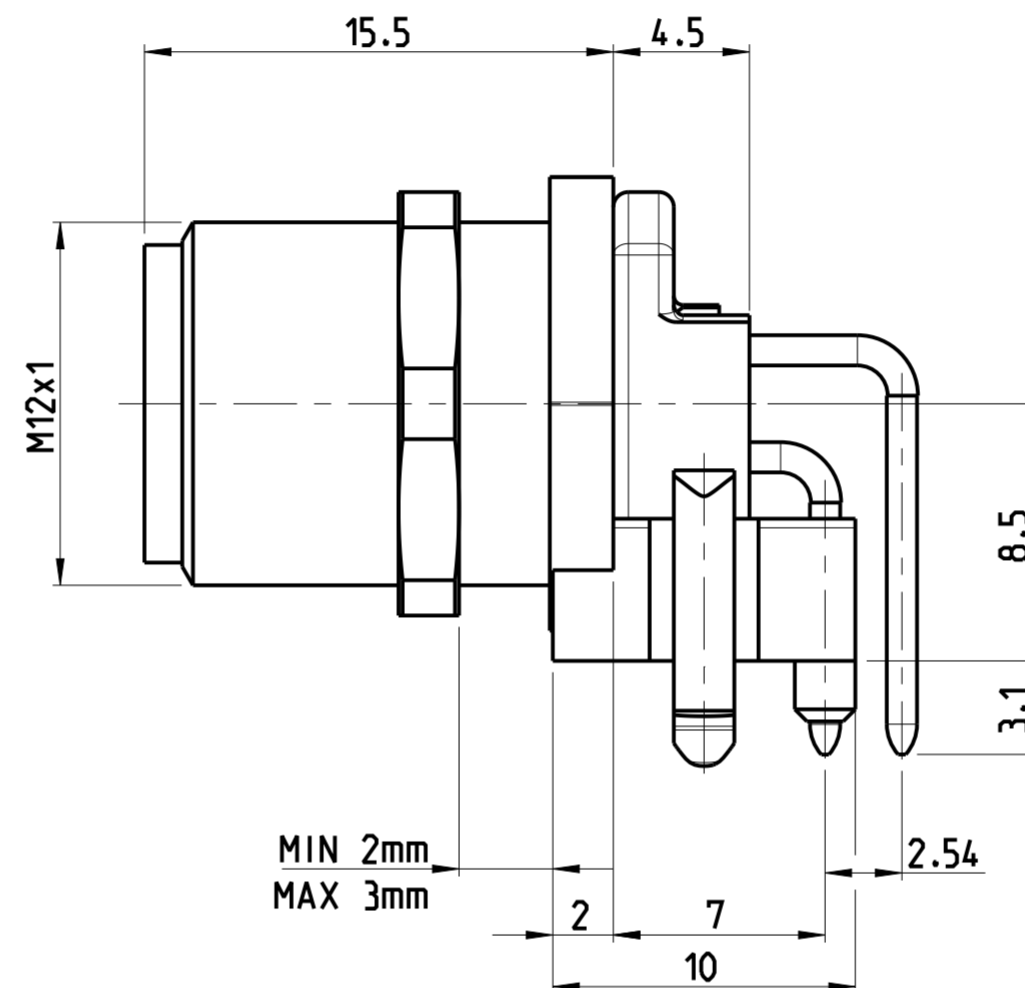
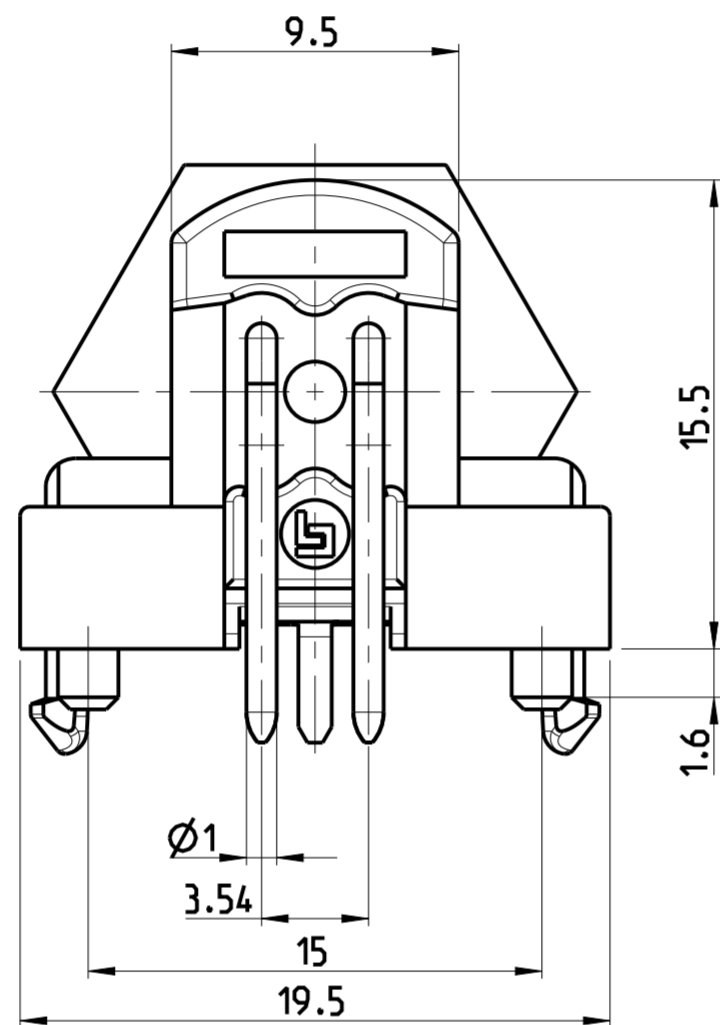


NOTES

- ⚠ MATERIAL: ITEM NO. 1: HOUSING - CuZn (BRASS, NICKEL PLATED)  
 ITEM NO. 2: CONTACT BODY - PA (GREEN)  
 ITEM NO. 3: CONTACT - CuZn (BRASS)  
 CONTACT FINISH - Sn (TIN)

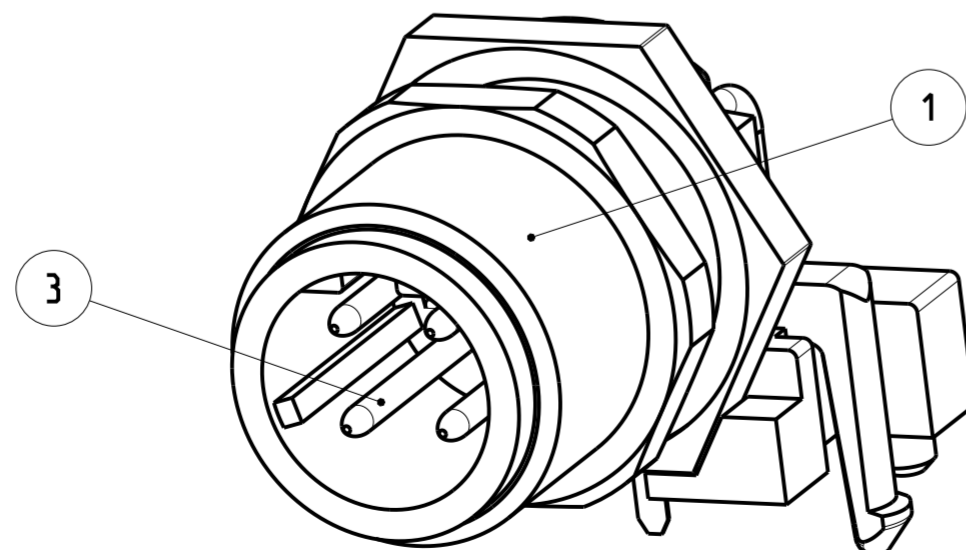
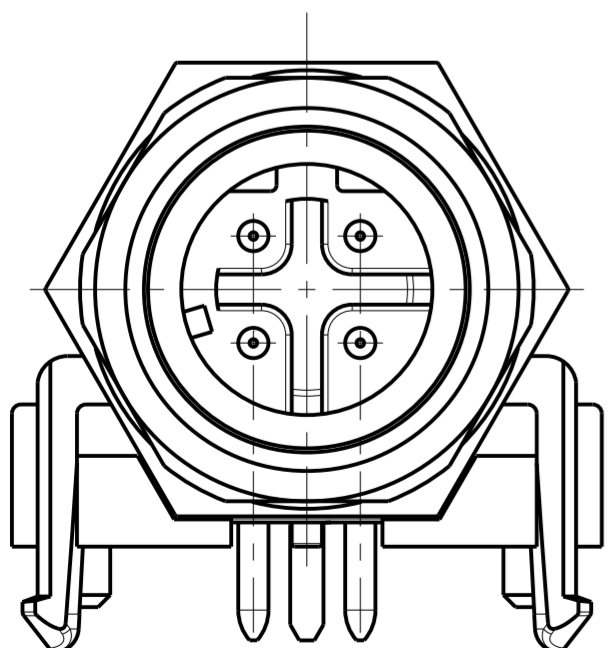
2 ALL DIMENSIONS ARE FOR NOMINAL REFERENCE ONLY UNLESS OTHERWISE STATED

TECHNICAL DATA	3-2172065-2
RATED VOLTAGE	125V
RATED IMPULSE VOLTAGE	2500V
POLLUTION DEGREE	3
OVERVOLTAGE CATEGORY	II
MATERIAL GROUP	II
RATED CURRENT	4A
VOLUME RESISTIVITY	≤ 8mΩ
DEGREE OF PROTECTION	IP67
UPPER TEMPERATURE	+85 °C
LOWER TEMPERATURE	+40 °C



PIN ARRANGEMENT  
 D-CODING

3-2172065-2



SIZE ISO 14405 ⓔ

DIESE ZEICHNUNG IST EIN KONTROLLIERTES DOKUMENT. BEMASSUNGEN UND TOLERANZEN GEMAESS GPS (ISO STANDARDS).		DWN YASHKUMAR 25 JUL 2014
THIS DRAWING IS A CONTROLLED DOCUMENT. DIMENSIONING AND TOLERANCING PER GPS (ISO STANDARDS).		CHK M. BRUBAKER 25 JUL 2014
DIMENSIONS: MASSE/MÄSSEN: [mm]		APVD M. BRUBAKER 25 JUL 2014
TOLERANCES UNLESS OTHERWISE SPECIFIED: ALLGEMEINTOLERANZEN		PRODUCT SPEC 108-19483
0 PLC ± 1 PLC ± 2 PLC ± 3 PLC ± 4 PLC ±		APPLICATION SPEC 114-32127
ANGLES/WINKEL ± FINISH/OBERFLÄCHE/FARBE		WEIGHT GEWICHT
SEE NOTES		Customer Drawing

⚠	4	3-2172065-2
MATERIAL	NUMBER OF POLES	TE-PART-NO.

**STE** TE Connectivity

M12 RECEPTACLE, MALE, PCB MOUNT,  
 ANGLED, SHIELDED, D-CODED

SIZE A2	CAGE CODE 00779	DRAWING NO. ZEICHNUNGS-NR. C-2172065	RESTRICTED TO MUR FÜR
SCALE MASSSTAB 4:1	SHEET BLATT 1 OF 1	REV A	