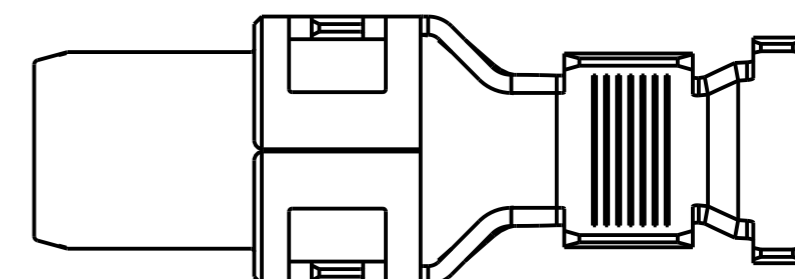
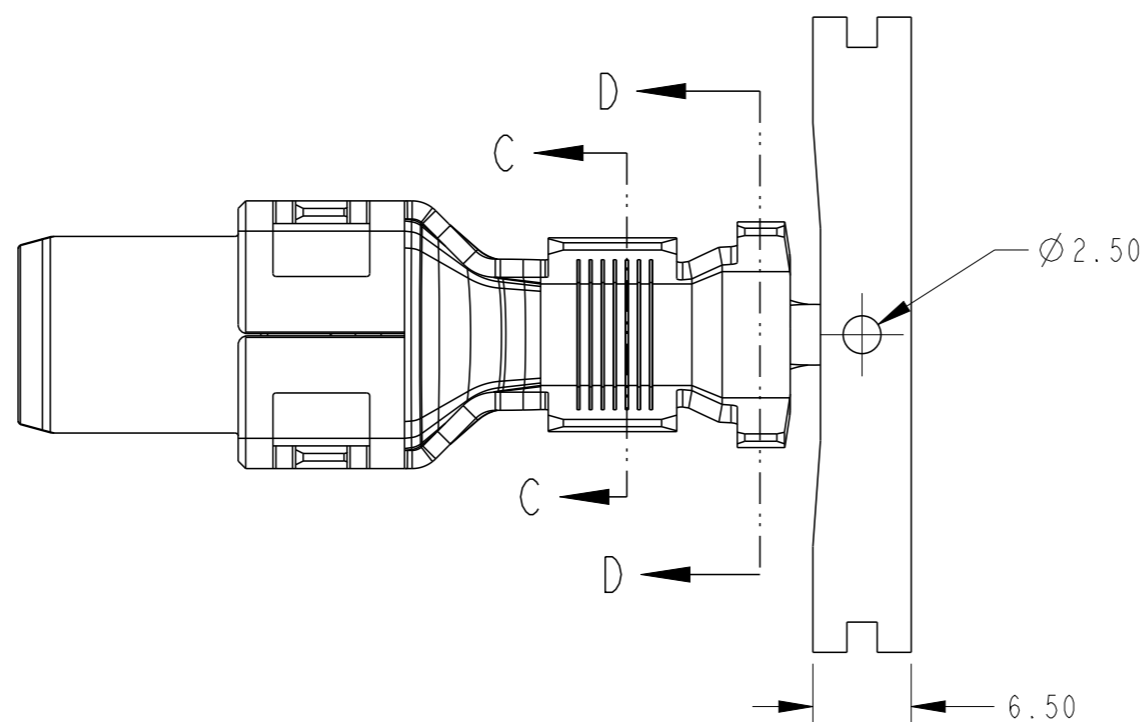
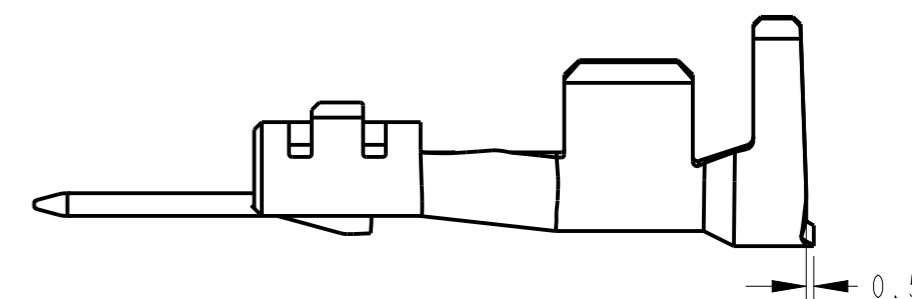


P	LTR	DESCRIPTION	DATE	DWN	APVD
	A	INITIAL	21JUN2020	A.W	R.B
	A1	ADD NEW PN FOR LP	29MAY2023	F.Z	R.B

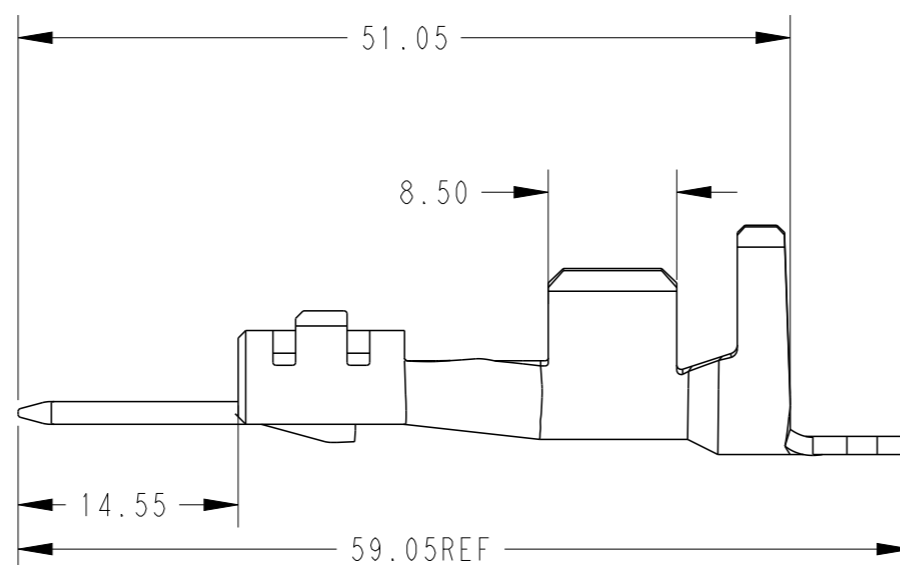
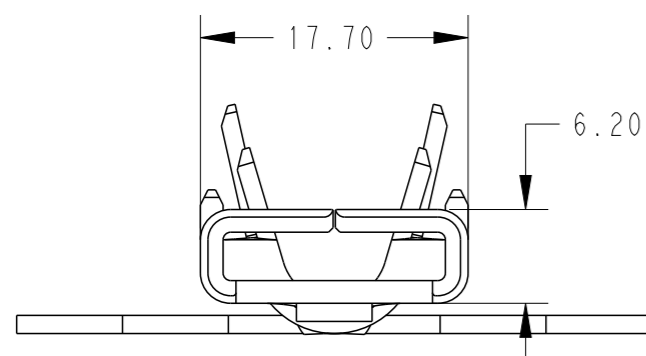


SCALE 2:1

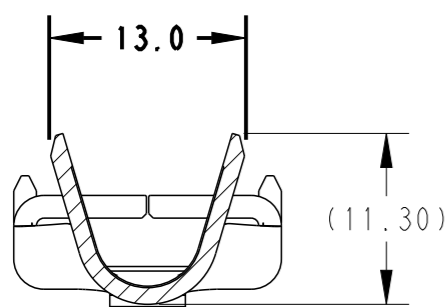


PN: 2351982-6  
(CONTACT W/O CARRIER)

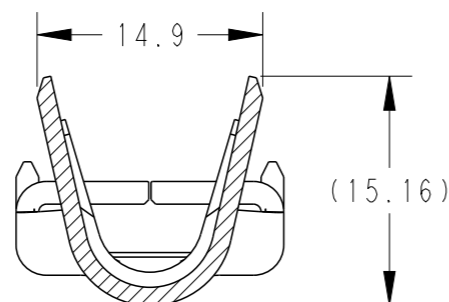
- NOTES
1. MATERIAL: COPPER ALLOY
  2. FINISH: Ag PLATING OVER NICKEL PLATING
  3. APPLICABLE WIRE RANGE: AHHEX 25SQ



PN: 2351982-5  
(CONTACT WITH CARRIER)



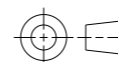
SECTION C-C  
SCALE 2:1



SECTION D-D  
SCALE 2:1

THIS DRAWING IS A CONTROLLED DOCUMENT.

DIMENSIONS:  
mm



MATERIAL  
SEE NOTE

TOLERANCES UNLESS OTHERWISE SPECIFIED:

- 0 PLC ±
- 1 PLC ±0.4
- 2 PLC ±0.3
- 3 PLC ±
- 4 PLC ±
- ANGLES ±

FINISH  
SEE NOTE

DWN ALVIN.W 26MAR2020

CHK RICK.B 26MAR2020

APVD RICK.B 26MAR2020

PRODUCT SPEC 108-140254

APPLICATION SPEC 114-78058

WEIGHT 16.2

CUSTOMER DRAWING

DESCRIPTION	MATERIAL	FINISH	PART NUMBER
W/O CARRIER	/	Ag	2351982-6
WITH CARRIER	COPPER ALLOY	Ag	2351982-5



NAME  
TAB CONTACT  
DYNAMIC 8000

SIZE A3 CAGE CODE 00779 DRAWING NO C-2351982 RESTRICTED TO -

SCALE 1:1 SHEET 1 OF 1 REV A1