

PART NO: 2169890001
2169890011

- NOTE:
- MATERIAL SPECIFICATION:
 - HOUSING: HIGH TEMPERATURE RESISTANT PLASTIC, UL94 V-0.
 - CONTACTS: COPPER ALLOY
 - MIDDLE CLIP: STAINLESS STEEL
 - SHELL: STAINLESS STEEL
 - COVER SHELL: STAINLESS STEEL
 - PLATING:
 - TERMINAL: OVERALL PLATING Ni BASE 50u'~150u'.
FUNCTIONAL AREA Au PLATING SEE P/N
SOLDER AREA Au PLATING G/F
 - COVER SHELL: PLATING NICKEL 50u'~200u' ON SOLDERING AREA.
 - MIDDLE CLIP/BACK SHELL: CLEANING
 - PRODUCT SPEC: PS-216990-001
 - PACKAGE SPEC: 2169890001PDDPK1&2169890001PDDPK2
 - PLEASE CONTACT YOUR SALES REPRESENTATIVE IF INTENDED FOR AUTOMOTIVE
 - 2169890001 FOR MANUAL PICKING & PLACE ONLY
 - 2169890002 FOR PIP PROCESS
 - DATE CODE: YY WW D
 - YEAR
 - WEEK
 - DAY

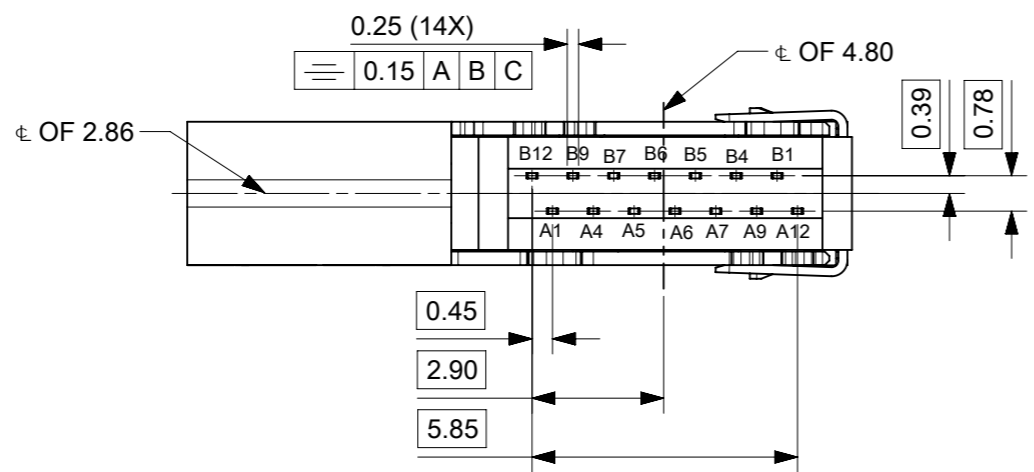
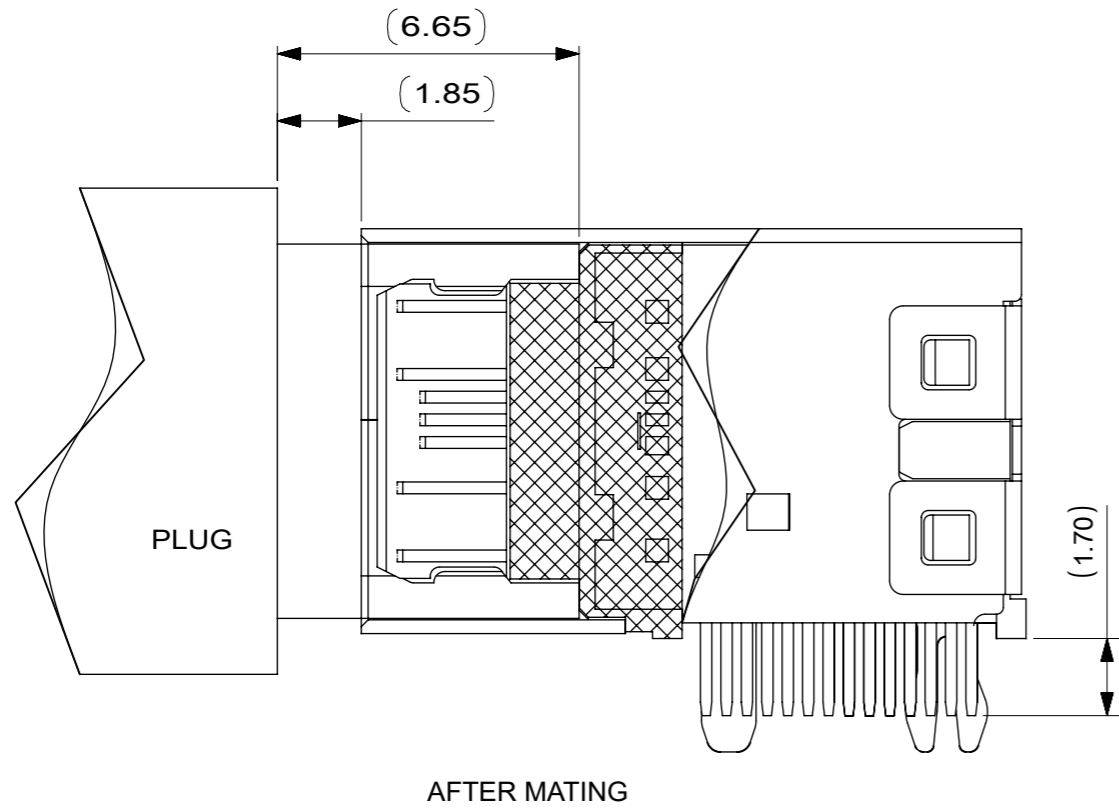


TABLE 1

PART NO.	CONTACT FUNCTIONAL AREA PLATED	SHEET	PACKAGE SPEC	REMARK
2169890001	GOLD FLASH	1 OF 4	2169890001PDDPK1	SEE NOTE 6
2169890011	30u' GOLD PLATING	1 OF 4		

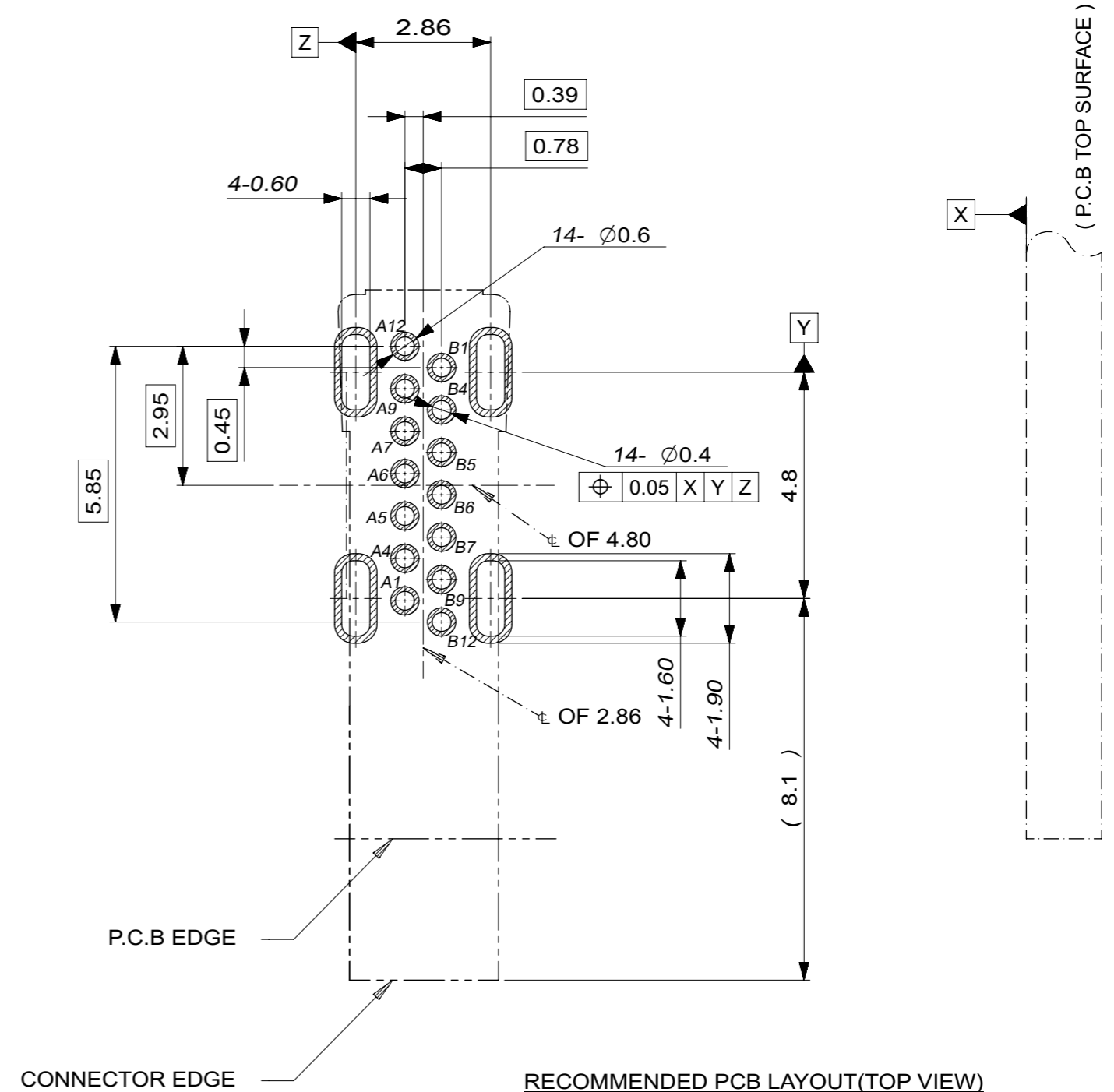
THIS DRAWING CONTAINS INFORMATION THAT IS PROPRIETARY TO MOLEX ELECTRONIC TECHNOLOGIES, LLC AND SHOULD NOT BE USED WITHOUT WRITTEN PERMISSION

DIMENSION UNITS	SCALE	CURRENT REV DESC: ADD PN OF 2169890011/0002/0022.	molex		
mm	6:1				
GENERAL TOLERANCES (UNLESS SPECIFIED)			USB TYPE C UPRIGHT 14 PIN		
ANGULAR TOL ± 3.0°			PRODUCT CUSTOMER DRAWING		
4 PLACES ±	EC NO: 685678	2021/10/18	DOCUMENT NUMBER		
3 PLACES ±	DRWN: FYANG05	2021/11/19	DOC TYPE DOC PART REVISION		
2 PLACES ±	CHK'D: RL109	2021/11/19	2169890001 PSD 000 B		
1 PLACE ±	APPR: RL109		MATERIAL NUMBER		
0 PLACES ±	INITIAL REVISION:		CUSTOMER		
	DRWN: RZHANG	2020/09/29	SHEET NUMBER		
	APPR: AYIN	2021/02/05	A3-SIZE 216989		
DRAFT WHERE APPLICABLE MUST REMAIN WITHIN DIMENSIONS	THIRD ANGLE PROJECTION	DRAWING	SERIES	MATERIAL NUMBER	CUSTOMER
			216989	2169890001	1 OF 4



USB TYPE-C PIN ASSIGNMENTS

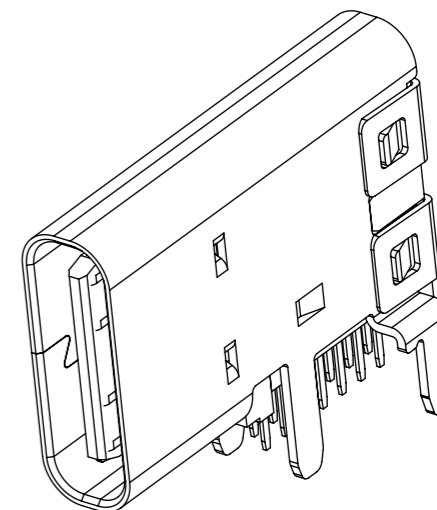
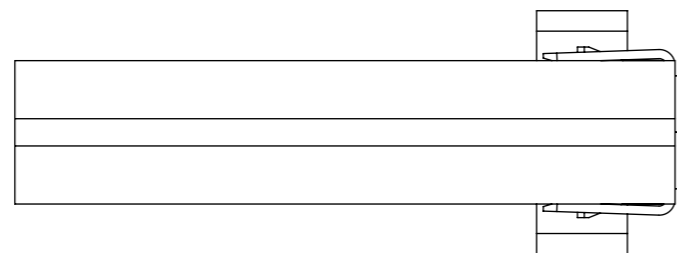
PIN NUMBER	SIGNAL NAME	PIN NUMBER	SIGNAL NAME
A1	GND	B12	GND
A4	VBUS	B9	VBUS
A5	CC1		
A6	Dp1	B7	Dn2
A7	Dn1	B6	Dp2
		B5	CC2
A9	VBUS	B4	VBUS
A12	GND	B1	GND



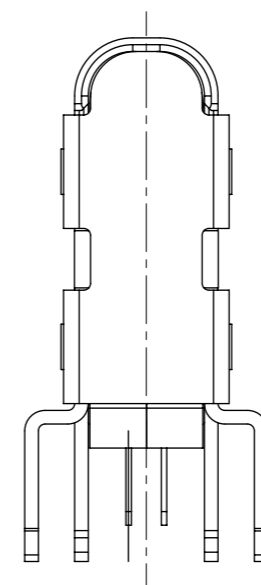
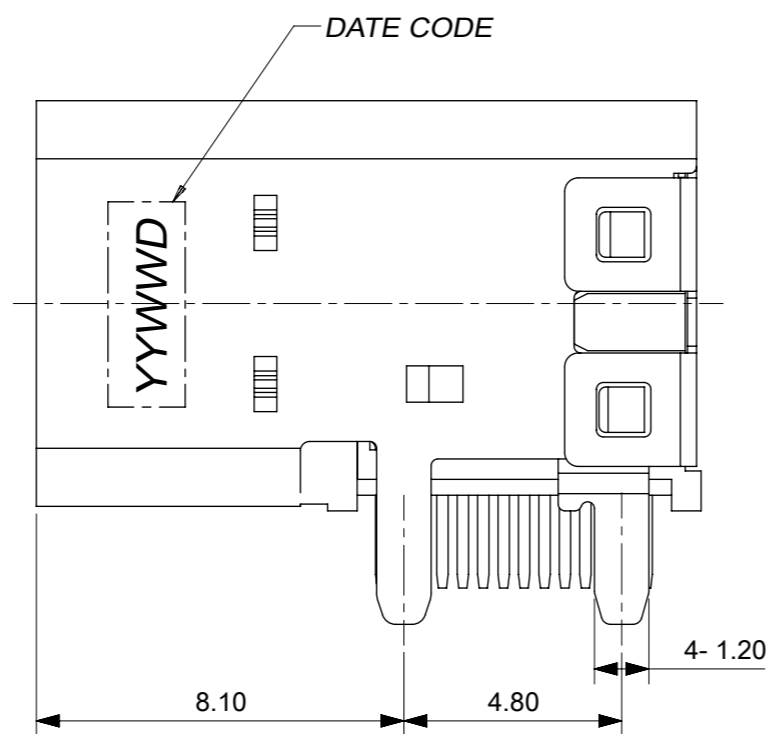
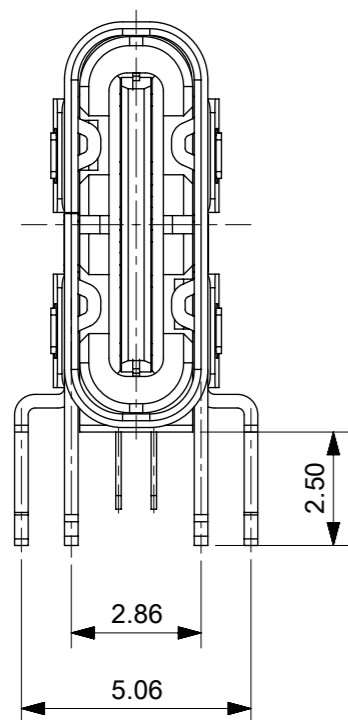
RECOMMENDED PCB LAYOUT(TOP VIEW)

THICKNESS IS 1.40, DEFAULT TOLERANCE: ±0.05
FOR PART NO: 216989 0001/0011

THIS DRAWING CONTAINS INFORMATION THAT IS PROPRIETARY TO MOLEX ELECTRONIC TECHNOLOGIES, LLC AND SHOULD NOT BE USED WITHOUT WRITTEN PERMISSION										
DIMENSION UNITS	SCALE	CURRENT REV DESC: ADD PN OF 2169890011/0002/0022.								
mm	1:1									
GENERAL TOLERANCES (UNLESS SPECIFIED)										
ANGULAR TOL	± 3.0 °	USB TYPE C UPRIGHT 14 PIN								
4 PLACES	±									
3 PLACES	± 0.1	PRODUCT CUSTOMER DRAWING								
2 PLACES	± 0.2									
1 PLACE	± 0.3	EC NO: 685678 DRWN: FYANG05 2021/10/18 CHK'D: RLI09 2021/11/19 APPR: RLI09 2021/11/19								
0 PLACES	±									
DRAFT WHERE APPLICABLE MUST REMAIN WITHIN DIMENSIONS		THIRD ANGLE PROJECTION	DRAWING	SERIES	MATERIAL NUMBER	CUSTOMER	DOCUMENT NUMBER	DOC TYPE	DOC PART	REVISION
			A3-SIZE	216989	2169890001		2169890001	PSD	000	B



PART NO:2169890002
2169890022

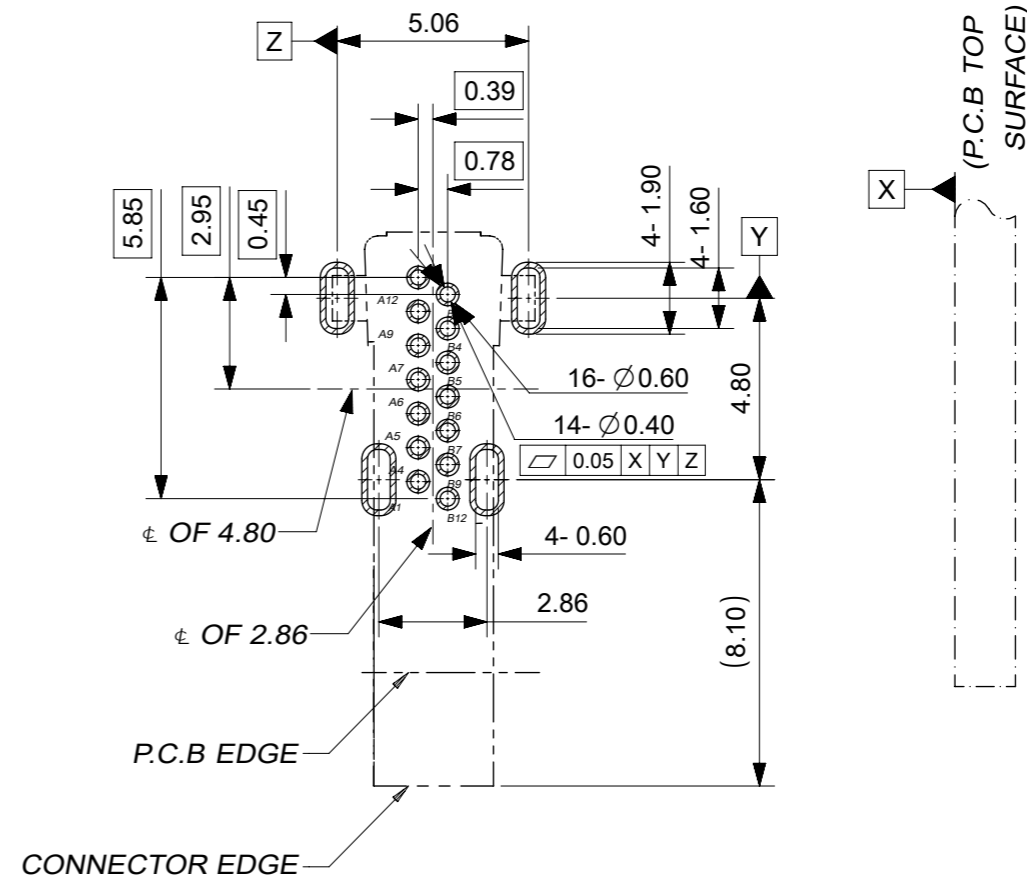
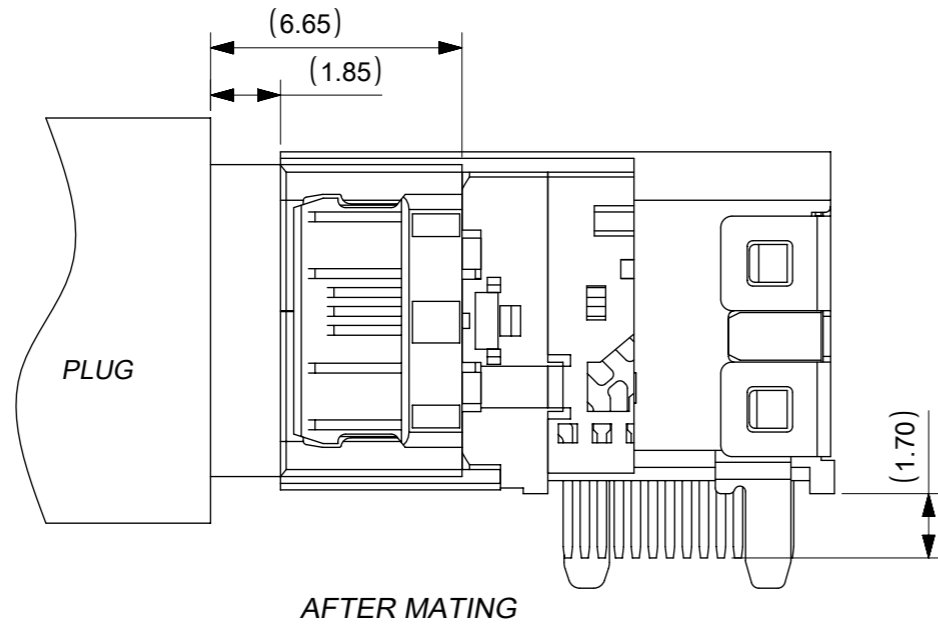


NOTES:
UNSPECIFIED DIMENSIONS FOLLOW 2169890001 IN SHEET 1 OF 4.

TABLE 2

PART NO.	CONTACT FUNCTIONAL ARER PLATED	SHEET	PACKAGE SPEC	REMARK
2169890002	GOLD FLASH	3 OF 4	2169890002PDDPK1	SEE NOTE 7
2169890022	30u' GOLD PLATING	3 OF 4		

THIS DRAWING CONTAINS INFORMATION THAT IS PROPRIETARY TO MOLEX ELECTRONIC TECHNOLOGIES, LLC AND SHOULD NOT BE USED WITHOUT WRITTEN PERMISSION										
DIMENSION UNITS mm		SCALE 1:1		CURRENT REV DESC: ADD PN OF 2169890011/0002/0022.			molex			
GENERAL TOLERANCES (UNLESS SPECIFIED)										USB TYPE C UPRIGHT 14 PIN
		MM		INCH		EC NO: 685678			DOCUMENT NUMBER	
4 PLACES		±		±		DRWN: FYANG05			2021/10/18	
3 PLACES		± 0.1		±		CHK'D: RLI09			2021/11/19	
2 PLACES		± 0.2		±		APPR: RLI09			2021/11/19	
1 PLACE		± 0.3		±		INITIAL REVISION:			DOC TYPE	
0 PLACES		±		±		DRWN: DRAWN BY			DOC PART	
ANGULAR TOL		± 3.0°				APPR: APPR BY			REVISION	
DRAFT WHERE APPLICABLE MUST REMAIN WITHIN DIMENSIONS				THIRD ANGLE PROJECTION		DRAWING	SERIES	MATERIAL NUMBER	CUSTOMER	SHEET NUMBER
						A3-SIZE	216989	2169890001	PSD 000	B



USB TYPE-C PIN ASSIGNMENTS

PIN NUMBER	SIGNAL NAME	PIN NUMBER	SIGNAL NAME
A1	GND	B12	GND
A4	VBUS	B9	VBUS
A5	CC1		
A6	Dp1	B7	Dn2
A7	Dn1	B6	Dp2
		B5	CC2
A9	VBUS	B4	VBUS
A12	GND	B1	GND

RECOMMENDED PCB LAYOUT(TOP VIEW)

THICKNESS IS 1.40, DEFAULT TOLERANCE: ±0.05
FOR PART NO: 216989 0002/0022

FUNCTIONAL SYMBOLS	THIS DRAWING CONTAINS INFORMATION THAT IS PROPRIETARY TO MOLEX ELECTRONIC TECHNOLOGIES, LLC AND SHOULD NOT BE USED WITHOUT WRITTEN PERMISSION						
	DIMENSION UNITS: mm SCALE: 1:1 CURRENT REV DESC: ADD PN OF 2169890011/0002/0022.			USB TYPE C UPRIGHT 14 PIN			
DIVISIONAL SYMBOLS	GENERAL TOLERANCES (UNLESS SPECIFIED)	EC NO: 685678 DRWN: FYANG05 CHK'D: RLI09 APPR: RLI09					
	4 PLACES ± 0.2 3 PLACES ± 0.1 2 PLACES ± 0.2 1 PLACE ± 0.3 0 PLACES ± 0.4 ANGULAR TOL ± 3.0°	INITIAL REVISION: DRWN: DRAWN BY 0099/99/99 APPR: APPR BY 0099/99/99		PRODUCT CUSTOMER DRAWING DOCUMENT NUMBER: 2169890001 DOC TYPE: PSD DOC PART: 000 REVISION: B			
DRAFT WHERE APPLICABLE MUST REMAIN WITHIN DIMENSIONS		THIRD ANGLE PROJECTION	DRAWING: A3-SIZE	SERIES: 216989	MATERIAL NUMBER	CUSTOMER	SHEET NUMBER: 4 OF 4