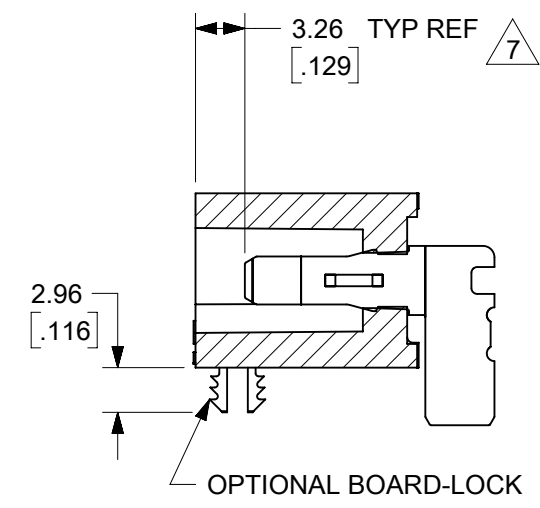
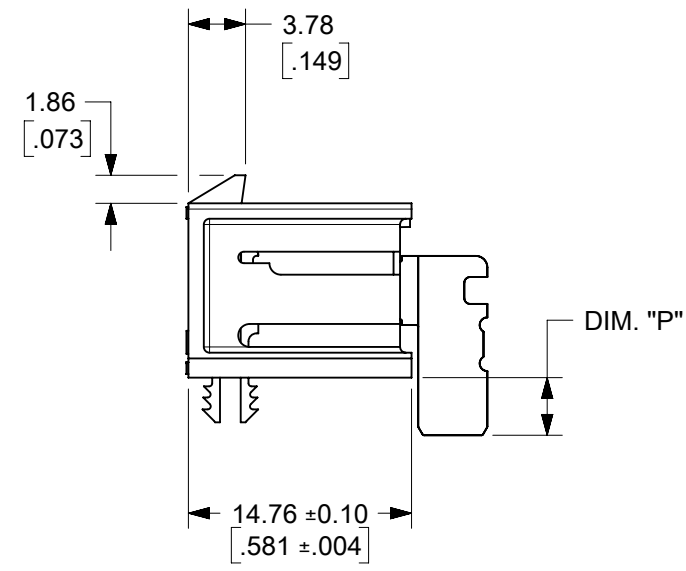
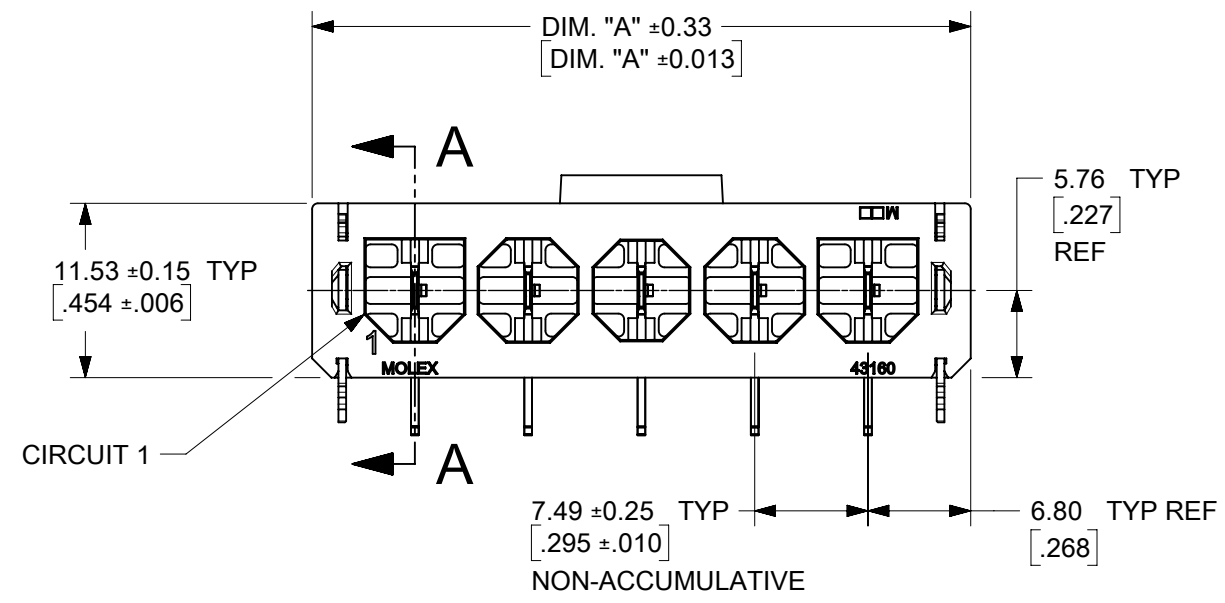
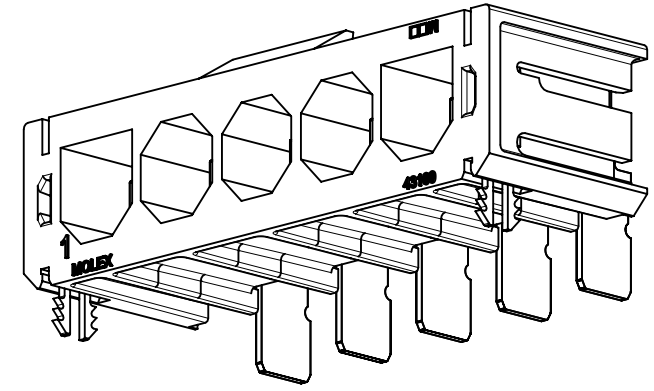
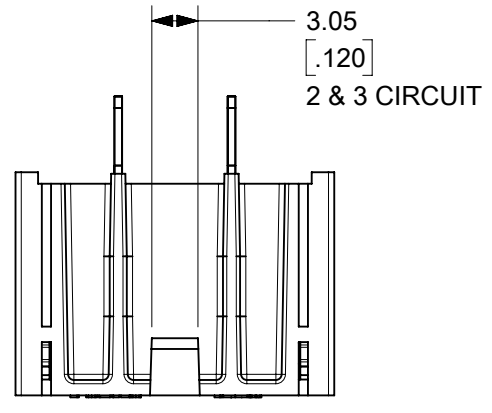
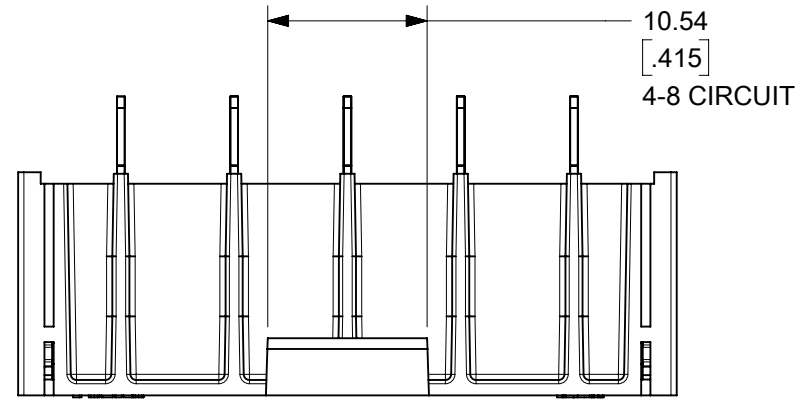


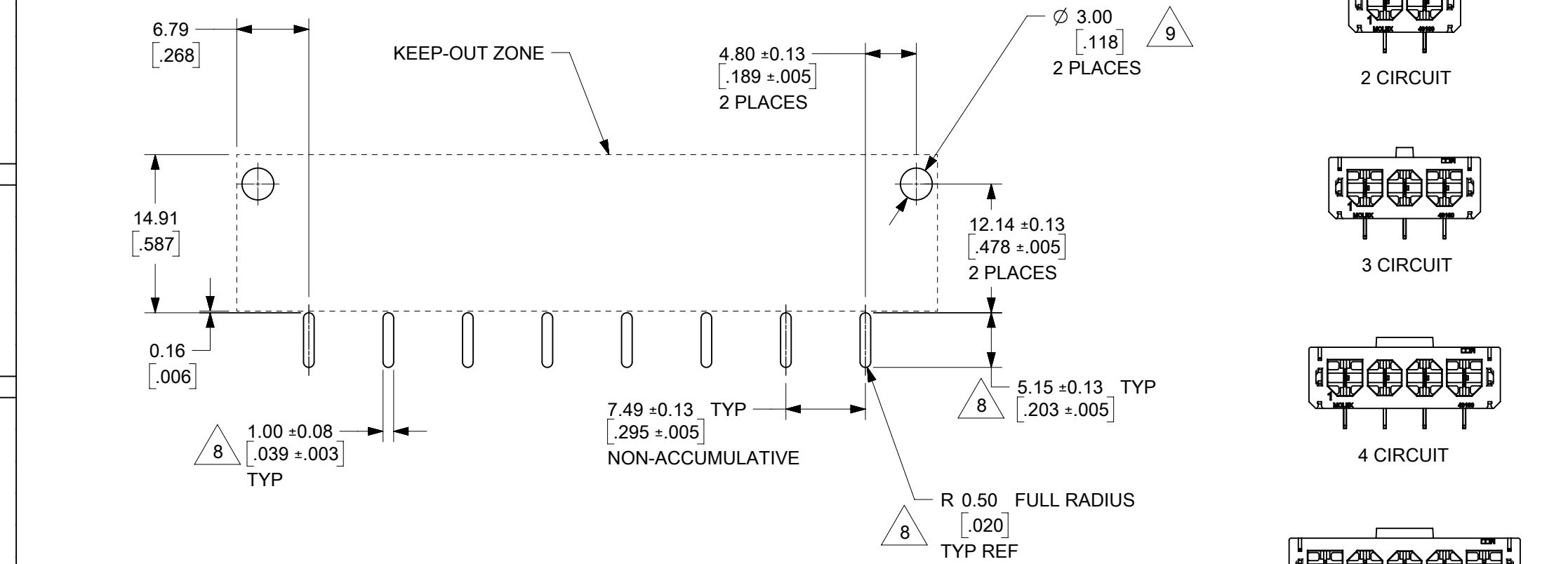
CIRCUIT SIZE	DIM. "A"
2	$\frac{21.08}{.830}$
3	$\frac{28.58}{1.125}$
4	$\frac{36.07}{1.420}$
5	$\frac{43.56}{1.715}$
6	$\frac{51.05}{2.010}$
8	$\frac{66.04}{2.600}$



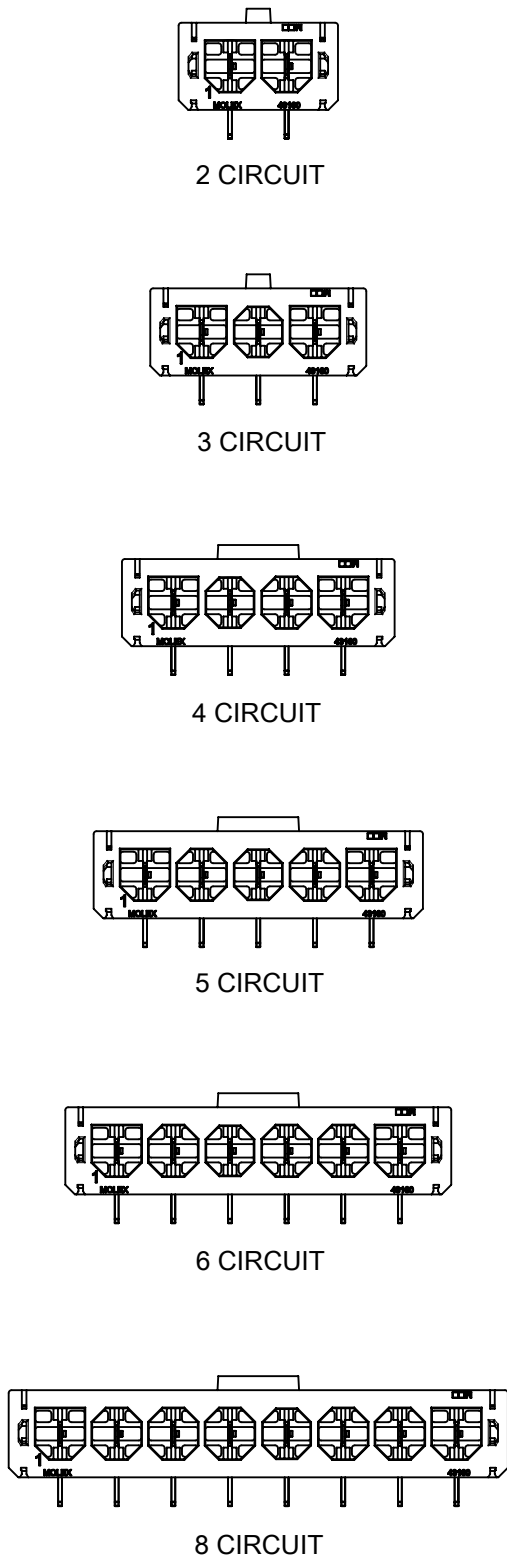
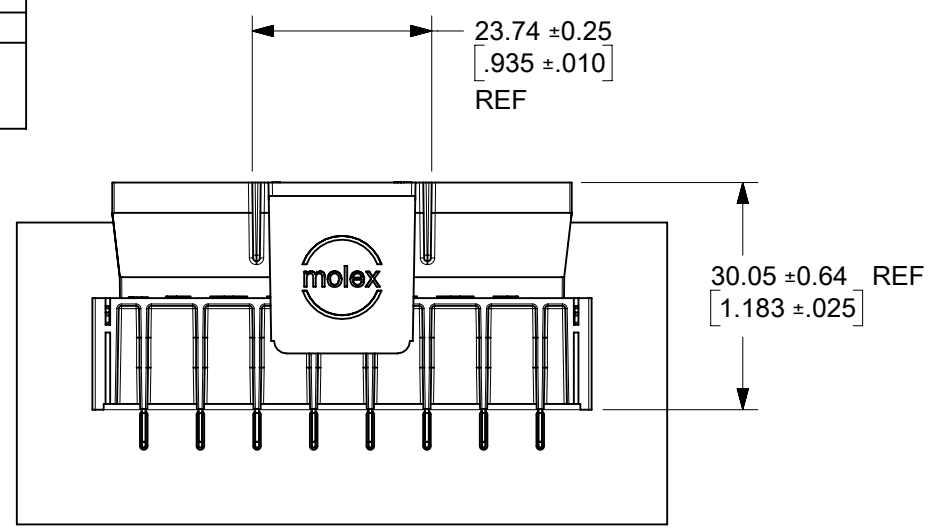
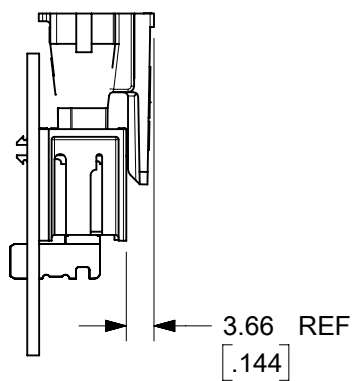
- NOTES:
- MATERIALS  
HOUSING: GLASS-FILLED, LIQUID CRYSTAL POLYMER (LCP), UL94V-0, LOW-HALOGEN, GLOW-WIRE CAPABLE, COLOR: BLACK  
TERMINALS: ETP COPPER
  - FINISHES:  
0.00254/.000100 MIN SELECT SILVER AND 0.00254/.000100 MIN SELECT MATTE TIN OVER NICKEL OVERALL
  - PRODUCT SPECIFICATION: PS-171825-001
  - PACKAGING INFORMATION: PK-43789-001 (TRAY PACK)
  - MATES WITH:  
171825 FEMALE CRIMP TERMINALS  
172672 RECEPTACLE HOUSINGS
  - THIS PART CONFORMS TO CLASS B REQUIREMENTS OF COSMETIC SPEC PS-45499-002.
  - HEADERS ARE DESIGNED TO MINIMIZE ACCESSIBILITY TO LIVE PARTS, PER UL 1977 AND UL 60950 FINGER PROBE REQUIREMENTS.
  - SLOTTED VIAS, PLATED THRU. MOLEX RECOMMENDS ANNULAR RING DESIGN PARAMETERS AS SPECIFIED IN IPC-2221, GENERIC STANDARD ON PRINTED BOARD DESIGN.
  - 3.00/1.18 MOUNTING-HOLES (NON-PLATED) FOR OPTIONAL BOARD-LOCKS SHOWN.

FUNCTIONAL SYMBOLS		THIS DRAWING CONTAINS INFORMATION THAT IS PROPRIETARY TO MOLEX ELECTRONIC TECHNOLOGIES, LLC AND SHOULD NOT BE USED WITHOUT WRITTEN PERMISSION		CURRENT REV DESC: ADD 172043-0209		<b>molex</b>	
$\frac{E}{A} = 0$	DIMENSION UNITS	SCALE	GENERAL TOLERANCES (UNLESS SPECIFIED)		SUPER-SABRE RIGHT-ANGLE HEADER ASSY SINGLE-ROW, FINGER-PROOF		
$\frac{E}{E} = 0$	MM/INCH	2:1			PRODUCT CUSTOMER DRAWING		
$\frac{E}{D} = 0$					DOCUMENT NUMBER		
DIVISIONAL SYMBOLS				EC NO: 702587		SD-172043-001	
				DRWN: MKIPPER		PSD 001 C2	
				CHKD: MKIPPER		REVISION	
				APPR: FSMITH		1	
				INITIAL REVISION:		2	
				DRWN: BANDERSON		3	
				APPR: BANDERSON		4	
				SERIES		5	
				MATERIAL NUMBER		6	
				CUSTOMER		7	
				SHEET NUMBER		8	
				SEE CHART		9	
				GENERAL MARKET		10	
				1 OF 2			

ASSEMBLY PART NO.	CIRCUITS	DIM. 'P' ± $\frac{0.51}{.020}$	BOARD LOCK
172043-0201	2	3.81/(.150) (SHORT TAIL)	NO
172043-0301	3		
172043-0401	4		
172043-0501	5		
172043-0601	6		
172043-0801	8		
172043-0202	2	3.81/(.150) (SHORT TAIL)	YES
172043-0302	3		
172043-0402	4		
172043-0502	5		
172043-0602	6		
172043-0802	8		
172043-0205	2	5.33/(.210) (LONG TAIL)	NO
172043-0305	3		
172043-0405	4		
172043-0505	5		
172043-0605	6		
172043-0805	8		
172043-0206	2	5.33/(.210) (LONG TAIL)	YES
172043-0306	3		
172043-0406	4		
172043-0506	5		
172043-0606	6		
172043-0806	8		
172043-0209	2	2.70/(.106) (EXTRA SHORT)	YES



RECOMMENDED P.C. BOARD LAYOUT  
FOR RIGHT ANGLE SUPER-SABRE HEADERS  
(8 CIRCUIT SHOWN)  
SEE NOTES 8 & 9



FUNCTIONAL SYMBOLS										THIS DRAWING CONTAINS INFORMATION THAT IS PROPRIETARY TO MOLEX ELECTRONIC TECHNOLOGIES, LLC AND SHOULD NOT BE USED WITHOUT WRITTEN PERMISSION									
DIMENSION UNITS					SCALE					CURRENT REV DESC: ADD 172043-0209									
MM/INCH					1:1					<b>molex</b> SUPER-SABRE RIGHT-ANGLE HEADER ASSY SINGLE-ROW, FINGER-PROOF									
GENERAL TOLERANCES (UNLESS SPECIFIED)																			
4 PLACES ±		MM		INCH		3 PLACES ±		± 0.005		EC NO: 702587					2022/03/04				
2 PLACES ±		0.13		± 0.01		DRWN: MKIPPER					2022/05/09								
1 PLACE ±		0.25		±		CHKD: MKIPPER					2022/05/09								
0 PLACES ±		±		±		APPR: FSMITH					INITIAL REVISION:								
ANGULAR TOL ± 0.5°					THIRD ANGLE PROJECTION					DRAWING					SERIES				
DRAFT WHERE APPLICABLE MUST REMAIN WITHIN DIMENSIONS					B-SIZE					172043					MATERIAL NUMBER				
SEE CHART					GENERAL MARKET					SHEET NUMBER					2 OF 2				