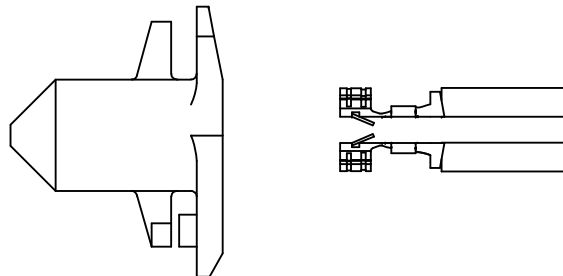
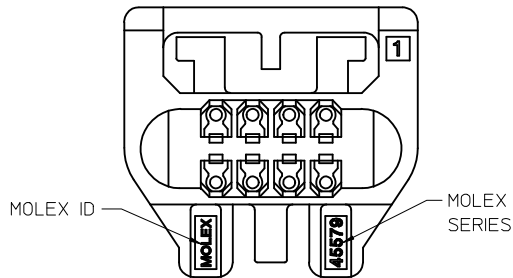


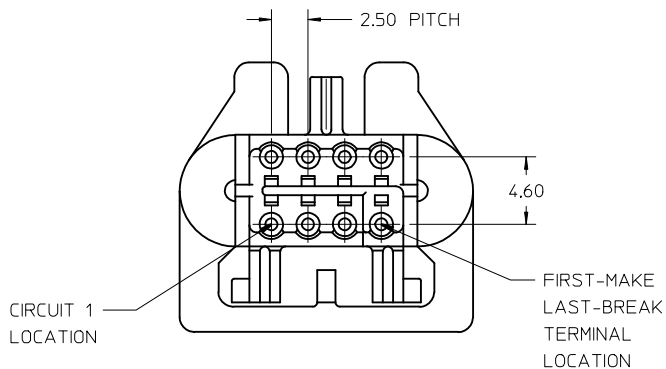
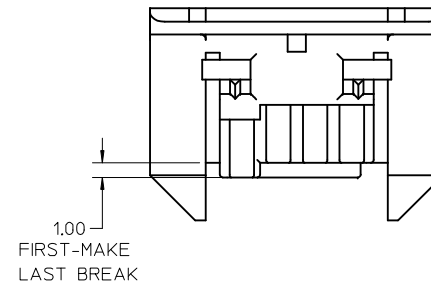
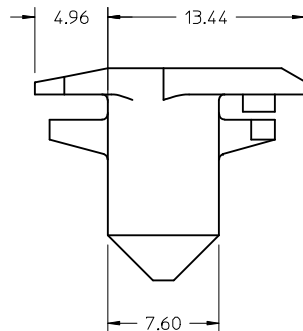
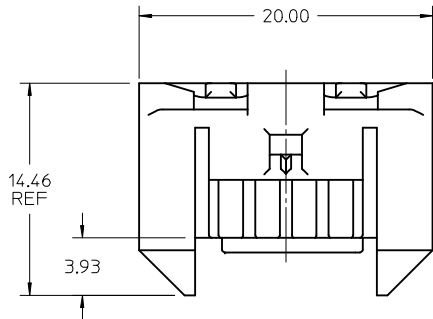
10 9 8 7 6 5 4 3 2 1



TERMINALS ARE TO BE ORIENTED AND LOADED INTO THE HOUSING AS SHOWN ABOVE

NOTES:

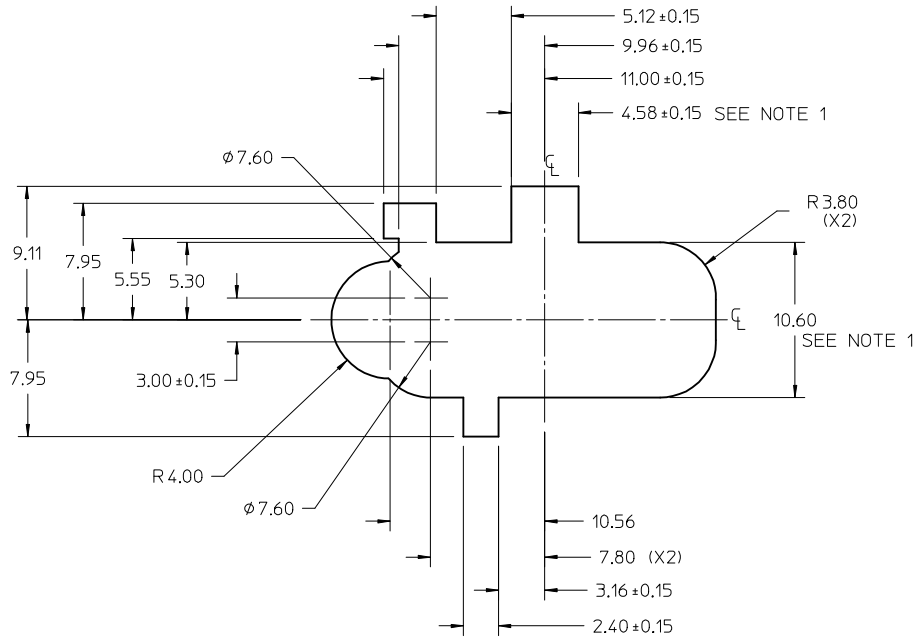
1. MATERIAL: POLYESTER, UL94V-0, COLOR: BLACK.
2. PRODUCT SPEC - PS-45579-001.
3. USE FEMALE CRIMP TERMINAL. 08-70-1047 ONLY. (NOTE THE ORIENTATION OF TERMINALS).
4. PART MATES WITH MOLEX PLUG SERIES 45579.
5. PACKAGING: BULK.
6. SEE PAGE 2 OF 2 FOR PANEL CUTOUT DIMENSIONS AND THE ALLOWED BOARD TO PANEL MISALIGNMENT.
7. USE TOOL NUMBER 63813-1400 TO REMOVE TERMINAL FROM HOUSING WHEN NECESSARY.  
CAUTION: TERMINALS MUST NOT BE REUSED AFTER REMOVAL.
8. THIS PART CONFORMS TO CLASS B REQUIREMENTS OF COSMETIC SPEC PS-45499-002.



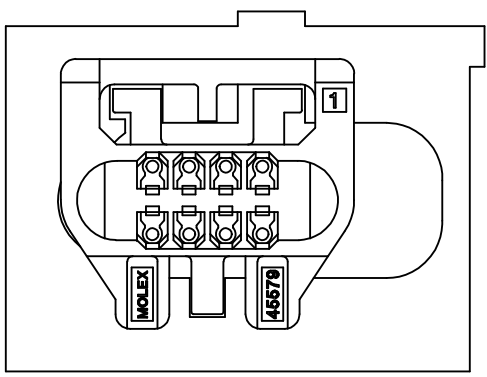
<b>NOTE 8 ADDED</b> EC NO: I2015-0003 DRWN: HTHYAGARAJ 2014/07/04 CHKD: APPR: KPRASAD 2014/08/11	QUALITY SYMBOLS ▽=0 ▽=0 ▽=0	GENERAL TOLERANCES (UNLESS SPECIFIED)		DIMENSION STYLE IN/MM		SCALE 3:1	DESIGN UNITS INCH	THIRD ANGLE PROJECTION			
		4 PLACES ± --- ± --- 3 PLACES ± --- ± .005 2 PLACES ± 0.13 ± .010 1 PLACE ± 0.25 ± --- 0 PLACE ± --- ± ---	DRAWN BY DATE	TITLE SPOX BMI RECEPTACLE HOUSING, 8 PIN		APPROVED BY JCOMERCI 2009/08/28		MATERIAL NO. 45579-0008		DOCUMENT NO. SD-45579-008	
		ANGULAR ±1/2° DRAFT WHERE APPLICABLE MUST REMAIN WITHIN DIMENSIONS		CHECKED BY DATE	THIS DRAWING CONTAINS INFORMATION THAT IS PROPRIETARY TO MOLEX INCORPORATED AND SHOULD NOT BE USED WITHOUT WRITTEN PERMISSION		SHEET NO. 1 OF 3				
				SIZE B							

9 8 7 6 5 4 3 2 1

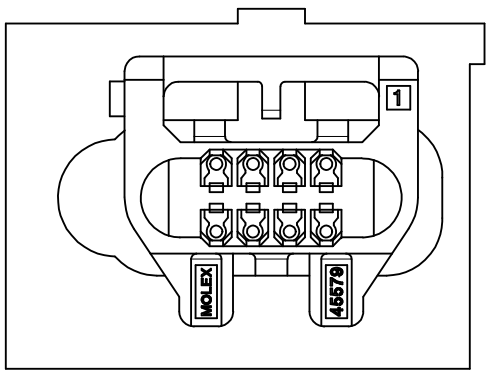
10 9 8 7 6 5 4 3 2 1



PANEL CUTOUT - WIRE ENTRY VIEW  
 PANEL THICKNESS: 1.35±0.15mm



RECEPTACLE INSERT POSITION



- NOTES:
1. TO CENTER 45579 PANEL CUTOUT WITH 45626 PANEL CUTOUT, ALIGN SPECIFIED CENTERLINES WITH CENTERLINES OF THE PANNEL CUTOUT IN THE DRAWING SD-45626-008.
  2. TERMINALS MUST BE ALLOWED TO FLOAT FREELY WITHIN CORE DO NOT TIE WIRES TOGETHER TIGHTLY, ALLOW WIRE TO MOVE.

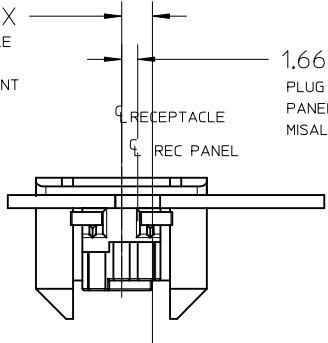
SEE SHEET 1 EC NO: 12015-0003 DRAWN: HTHYAGARAJ 2014/07/04 CHKD: KPRASAD APPR: KPRASAD 2014/08/11 REV DESCRIPTION	QUALITY SYMBOLS	GENERAL TOLERANCES (UNLESS SPECIFIED)	DIMENSION STYLE	SCALE	DESIGN UNITS	THIRD ANGLE PROJECTION
	▽=0	mm INCH	IN/MM	3:1	INCH	
	▽=0	4 PLACES ± --- ± ---	DRAWN BY DATE	TITLE	SPOX BMI RECEPTACLE HOUSING, 8 PIN	
	▽=0	3 PLACES ± --- ± .005	CHECKED BY DATE	APPROVED BY DATE	molex	
	2 PLACES ± 0.13 ± .010	1 PLACE ± 0.25 ± ---	0 PLACE ± --- ± ---	JCOMERCI 2009/08/28	DOCUMENT NO.	SHEET NO.
	ANGULAR ± 1/2° DRAFT WHERE APPLICABLE MUST REMAIN WITHIN DIMENSIONS		MATERIAL NO.	45579-0008	SD-45579-008	2 OF 3
			SIZE	THIS DRAWING CONTAINS INFORMATION THAT IS PROPRIETARY TO MOLEX INCORPORATED AND SHOULD NOT BE USED WITHOUT WRITTEN PERMISSION		

9 8 7 6 5 4 3 2 1

10 9 8 7 6 5 4 3 2 1

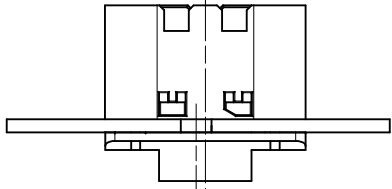
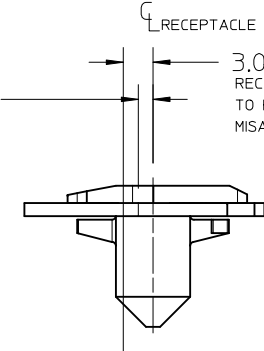
3.15 MAX  
RECEPTACLE  
TO PLUG  
MISALIGNMENT

1.66 MAX  
PLUG TO  
PANEL  
MISALIGNMENT

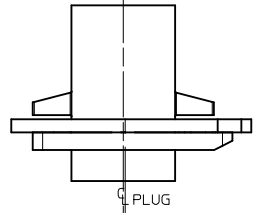


1.50 MAX  
RECEPTACLE  
TO PANEL  
MISALIGNMENT

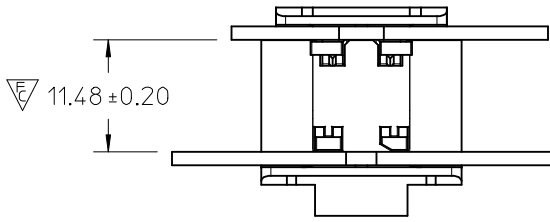
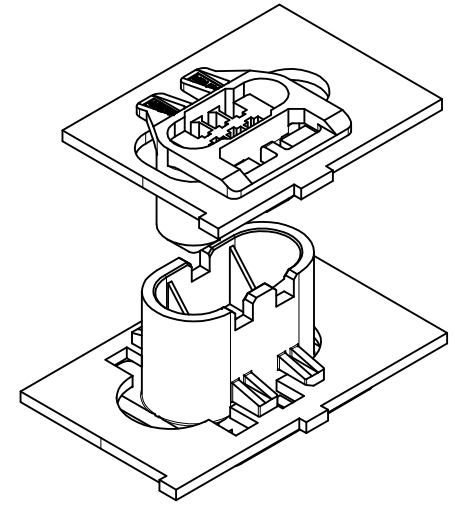
3.04 MAX  
RECEPTACLE  
TO PLUG  
MISALIGNMENT



0.94 MAX  
RECEPTACLE  
TO PANEL  
MISALIGNMENT



0.20 MAX  
PLUG TO PANEL  
MISALIGNMENT



PANEL TO PC BOARD  
STACK HEIGHT

SEE SHEET 1 EC NO: 12015-0003 DR: DRMNHTHYAGARAJ 2014/07/04 CHKD: APPR: KPRASAD 2014/08/11 REV DESCRIPTION	QUALITY SYMBOLS	GENERAL TOLERANCES (UNLESS SPECIFIED)	DIMENSION STYLE IN/MM	SCALE 2:1	DESIGN UNITS INCH	THIRD ANGLE PROJECTION
	▽=0	4 PLACES ± --- ± ---	mm INCH	DRAWN BY DATE	TITLE	SPOX BMI RECEPTACLE HOUSING, 8 PIN
	▽=1	3 PLACES ± --- ± .005		CHECKED BY DATE	molex	
	▽=0	2 PLACES ± 0.13 ± .010		APPROVED BY DATE JCOMERCI 2009/08/28		DOCUMENT NO.
		1 PLACE ± 0.25 ± ---		MATERIAL NO.	SD-45579-008	3 OF 3
		0 PLACE ± --- ± ---		SEE PAGE 1	THIS DRAWING CONTAINS INFORMATION THAT IS PROPRIETARY TO MOLEX INCORPORATED AND SHOULD NOT BE USED WITHOUT WRITTEN PERMISSION	

9 8 7 6 5 4 3 2 1