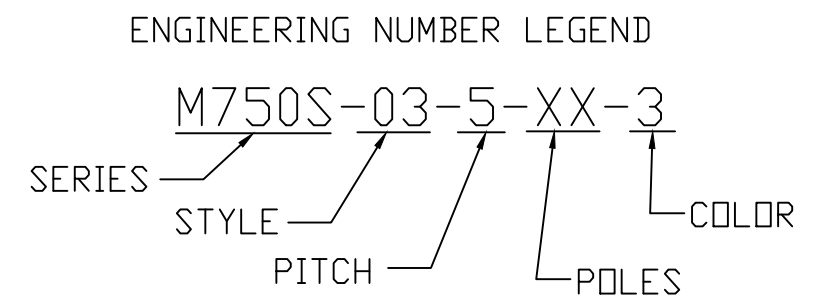
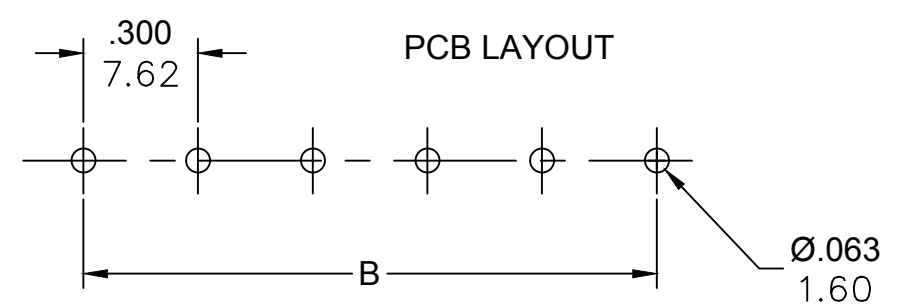


PART NUMBER DATA							
CIRCUITS	PART NUMBER	ENGINEERING NUMBER	COLOR	A IN mm		B IN mm	
2	397240002	M750S-03-5-02-3	GREEN	.60	15.2	.300	7.62
3	397240003	M750S-03-5-03-3	GREEN	.90	22.9	.600	15.24
4	397240004	M750S-03-5-04-3	GREEN	1.20	30.5	.900	22.86
5	397240005	M750S-03-5-05-3	GREEN	1.50	38.1	1.200	30.48
6	397240006	M750S-03-5-06-3	GREEN	1.80	45.7	1.500	38.10
7	397240007	M750S-03-5-07-3	GREEN	2.10	53.3	1.800	45.72
8	397240008	M750S-03-5-08-3	GREEN	2.40	61.0	2.100	53.34
9	397240009	M750S-03-5-09-3	GREEN	2.70	68.6	2.400	60.96
10	397240010	M750S-03-5-10-3	GREEN	3.00	76.2	2.700	68.58
11	397240011	M750S-03-5-11-3	GREEN	3.30	83.8	3.000	76.20
12	397240012	M750S-03-5-12-3	GREEN	3.60	91.4	3.300	83.82

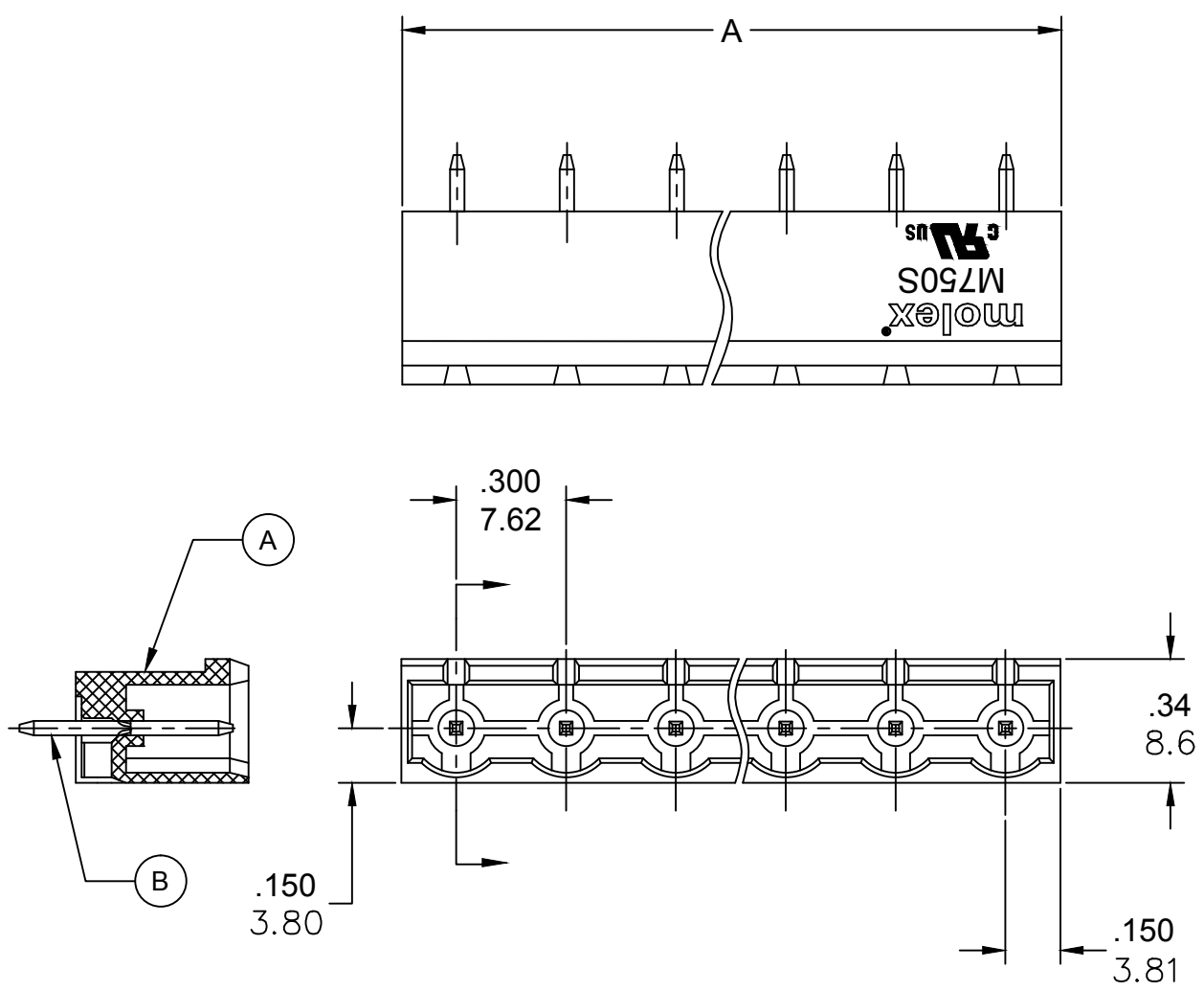
REF. LAST 2 DIGITS OF PART NUMBER EQUALS NUMBER OF POLES



CONTACT FACTORY FOR OPTIONAL COLORS



TOLERANCES			
MM	TOL	INCH	TOL
0-6	±0.25	0-.24	±.010
>6-30	±0.40	.24-1.18	±.016
>30-120	±0.50	1.18-4.76	±.020
>120	±0.80	>4.76	±.031



SPECIFICATIONS:

- MATERIAL:
  - A. BODY: PA66, UL94 V-0
  - B. TERMINAL: BRASS, TIN PLATED
- RATING: 15A AT 51-150V, 10A AT 151 TO 300V
- OPERATING TEMPERATURE: -40°C + 105°C
- DIELECTRIC VOLTAGE WITHSTAND: AC 2500V FOR 1 MINUTE.
- INSULATION RESISTANCE: DC 500V, 500MΩ
- RATED IMPULSE VOLTAGE: 4000V, PLUS AND MINUS 5 TIMES EACH.
- MAX. SOLDERING TEMPERATURE: +260°C FOR 5 SEC.
- MATES WITH TERMINAL PLUG SERIES: 39704
- DIMS SHOWN ARE FOR REFERENCE ONLY

REVISED DOC TOL EC NO: IPG2017-0881 DRWN: ABENJAMI CHKD: --- APPR: BRUPERT 2014/10/16 REV A1	QUALITY SYMBOLS ▽=0 ◻=0	GENERAL TOLERANCES (UNLESS SPECIFIED)		DIMENSION STYLE IN/MM		SCALE ---	DESIGN UNITS METRIC	THIRD ANGLE PROJECTION	
		4 PLACES	±---	±---	DRAWN BY	DATE	TITLE <b>7.62MM EURO HEADER VERTICAL, CLOSED END</b>		
		3 PLACES	±---	±---	RSTONE	2014/01/23			
		2 PLACES	±---	±---	CHECKED BY	DATE	Molex <b>MOLEX INCORPORATED</b>		
1 PLACE	±---	±---	G. FARNS	---					
DRAFT WHERE APPLICABLE MUST REMAIN WITHIN DIMENSIONS		ANGULAR ±---°		APPROVED BY DATE JFMURPHY 2014/10/16		MATERIAL NO.		DOCUMENT NO. <b>SD-39724-001</b>	
				SEE CHART		SHEET NO. <b>1 OF 1</b>			
THIS DRAWING CONTAINS INFORMATION THAT IS PROPRIETARY TO MOLEX INCORPORATED AND SHOULD NOT BE USED WITHOUT WRITTEN PERMISSION									