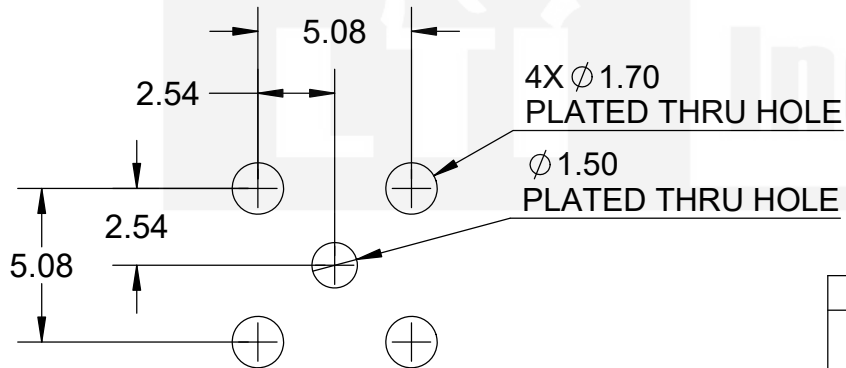
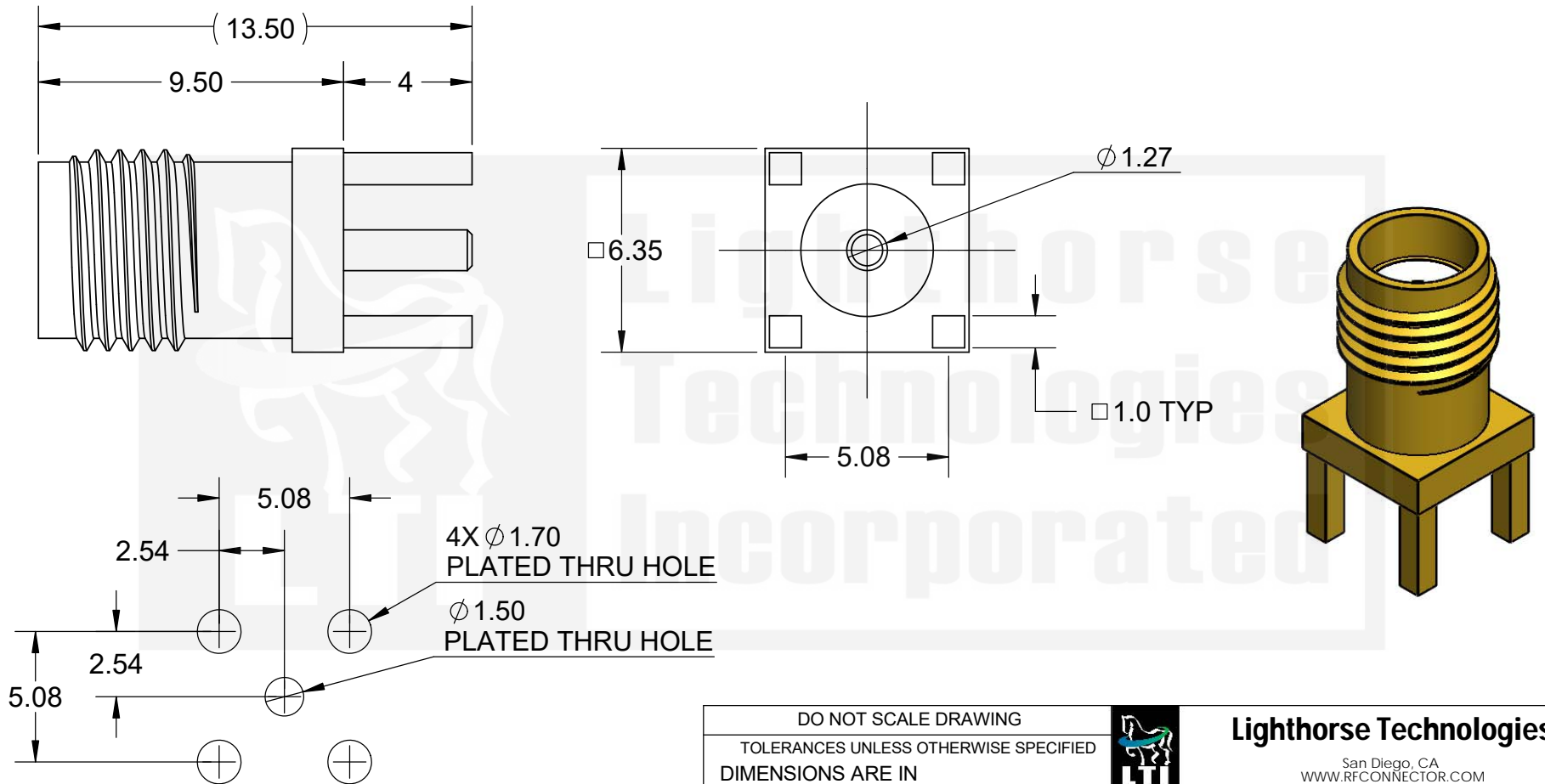


ITEM:	MATERIAL:	FINISH:	NOTES:	REVISIONS				
				REV	ECR	DESCRIPTION	DRAWN	DATE
CONNECTOR BODY	BRASS, NOTE 1	GOLD, NOTE 8	1. PER QQ-B-626 2. PER QQ-S-764 3. PER QQ-C-530 4. PER QQ-B-750 5. PER MIL-P-19468 6. PER ZZ-R-765 7. PER WW-T-799 8. GOLD PLATED 5µin MIN. OVER NICKEL PLATE 50µin MIN. OVER COPPER STRIKE. 9. NICKEL PLATE 100µin MIN. OVER COPPER STRIKE. 10. PER ASTM-A967 11. GOLD PLATE 30µin MIN. OVER NICKEL PLATE 50µin MIN. OVER COPPER STRIKE. 12. TIN ZINC PLATE 100µin MIN. OVER COPPER STRIKE.	1		ENGINEERING RELEASE	P. BURDGE	11/08/2011
CENTER CONTACT	BERYLLIUM COPPER, NOTE 3	GOLD, NOTE 11						
INSULATION	TEFLON, NOTE 5	----						
FERRULE	----	----						
GASKET	----	----						
HEX NUT	----	----						
LOCK WASHER	----	----						



SUGGESTED PCB LAYOUT

DO NOT SCALE DRAWING				Lighthouse Technologies San Diego, CA WWW.RFCCONNECTOR.COM	
TOLERANCES UNLESS OTHERWISE SPECIFIED DIMENSIONS ARE IN MILLIMETERS X = ±0.5 X.X = ±0.25 X.XX = ±0.13 ANGLE = ±30°				TITLE: SMA, STRAIGHT, JACK, PCB SLDR POST, PCB HOLE MNT, GOLD, TEFLON	
CUSTOMER APPROVAL SIGN / DATE:					
ENG APPR.			SIZE PART/DWG. NO: REV A SASF54GT 1		
CHECKED			SCALE: 4:1 FILE NAME SHEET 1 OF 1		
DRAWN P. BURDGE 11/08/2011			NAME DATE		

PROPRIETARY AND CONFIDENTIAL
 UNLESS OTHERWISE SPECIFIED, THIS DOCUMENT CONTAINS LIGHORSE TECHNOLOGIES INFORMATION. REPRODUCTION, USE, DISCLOSURE OR TRANSMITTAL OF ALL OR ANY PART OF THIS DOCUMENT IS PROHIBITED EXCEPT TO THE EXTENT APPROVED IN WRITING BY AN AUTHORIZED REPRESENTATIVE OF LIGHORSE TECHNOLOGIES. LIGHORSE TECHNOLOGIES RESERVES ALL RIGHTS UNDER PATENTS, TRADEMARKS, COPY RIGHTS AND TRADE SECRETS. COPY RIGHTS OF LIGHORSE TECHNOLOGIES 2011, ALL RIGHTS RESERVED.

